

W2S130-AA25-01

AC axial compact fan



ASIA PACIFIC SHENGRUI LIMITED
Phone +00852 56261528
info@apacfan.com
www.apacfan.com

Nominal data

Type	W2S130-AA25-01		
Motor	M2S052-CA		
Phase		1~	1~
Nominal voltage	VAC	115	115
Frequency	Hz	50	60
Type of data definition		fa	fa
Valid for approval / standard		CE	CE
Speed	min ⁻¹	2800	3250
Power input	W	41	38
Current draw	A	0.56	0.47
Max. back pressure	Pa	80	120
Max. ambient temperature	°C	50	70

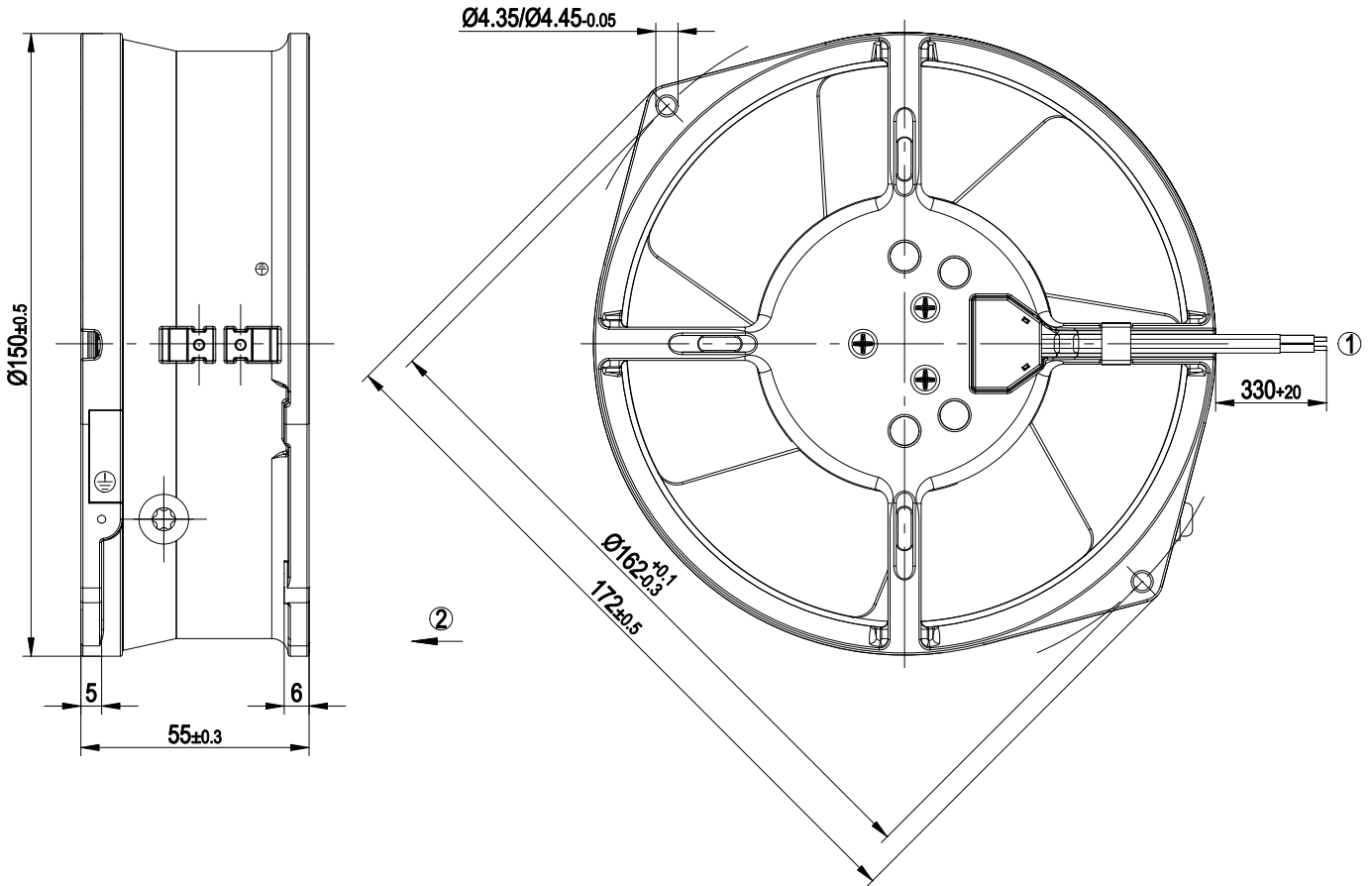
ml = max. load · me = max. efficiency · fa = running at free air · cs = customer specs · cu = customer unit
Subject to alterations



Technical features

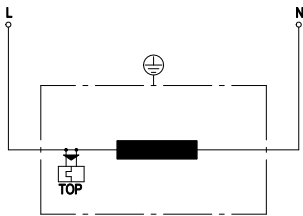
Mass	1.1 kg
Size	130 mm
Surface of rotor	Rotor open, coated in black
Material of impeller	Sheet steel, coated in black
Housing material	Die-cast aluminum, coated in black
Number of blades	7
Direction of air flow	"V"
Direction of rotation	Counter-clockwise, seen on rotor
Type of protection	IP 20
Insulation class	"B"
Max. permissible ambient motor temp. (transp./ storage)	+ 80 °C
Min. permissible ambient motor temp. (transp./storage)	- 40 °C
Mounting position	Any
Condensate discharge holes	None, open rotor
Operation mode	S1
Motor bearing	Ball bearing
Leakage current	< 0.75 mA
Motor protection	Thermal overload protector (TOP) wired internally
Protection class	I (if protective earth is connected by customer)
Product conforming to standard	EN 60335-1; CE
Approval	CSA C22.2 Nr.113; CCC; VDE; UL 507

Product drawing



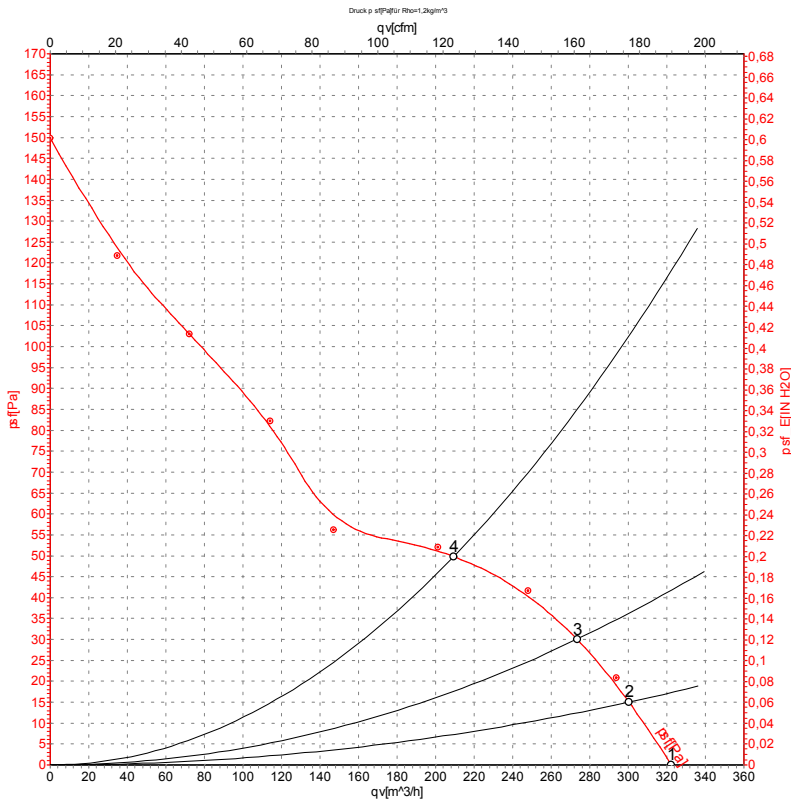
- | | |
|---|---|
| 1 | Connection line AWG 20, 2 x brass lead tips crimped |
| 2 | Direction of air flow "V" |

Connection screen



- | | |
|-----|------------------------------|
| L | = black |
| N | = black |
| TOP | = Thermal overload protector |

Charts: Air flow 50 Hz



Measurement: LU-58320

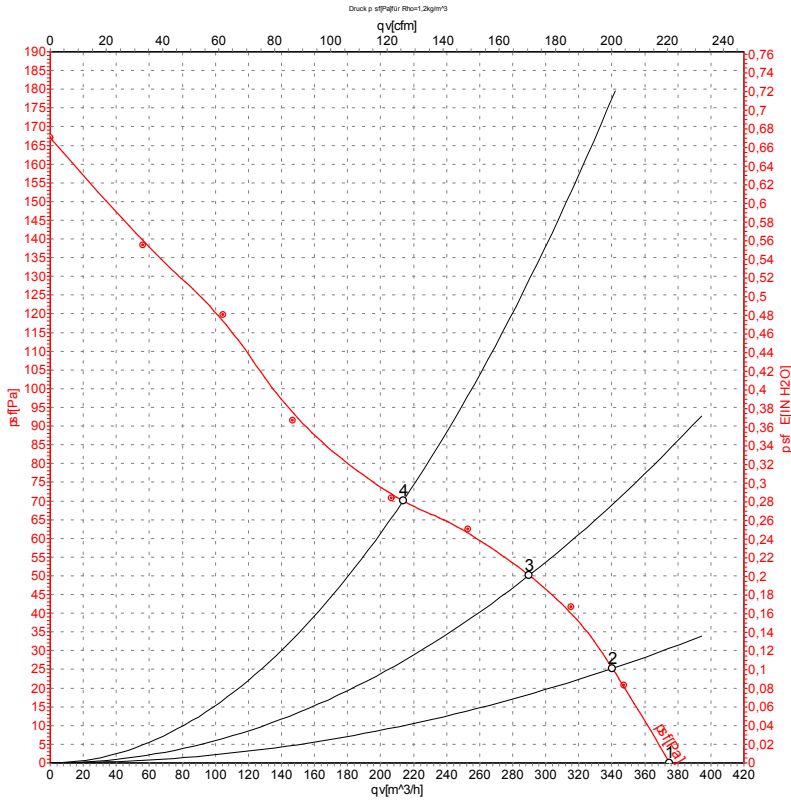
Air performance measured as per ISO 5801 Installation category A. For detailed information on the measuring set-up, please contact ebmpapst. Suction-side noise levels: L_{wA} measured as per ISO 13347 / L_{pA} measured with 1m distance to fan axis. The values given are valid under the measuring conditions mentioned above and may vary according to the actual installation situation. With any deviation from the standard set-up, the specific values have to be checked and reviewed with the unit installed.

Measured values

	U	f	n	P _e	I	qv	P _{sf}
	V	Hz	min ⁻¹	W	A	m ³ /h	Pa
1	115	50	2815	41	0.56	325	0
2	115	50	2805	42	0.56	300	15
3	115	50	2795	42	0.57	275	30
4	115	50	2790	43	0.57	210	50



Charts: Air flow 60 Hz



Measurement: LU-58323

Air performance measured as per ISO 5801 Installation category A. For detailed information on the measuring set-up, please contact ebm-papst. Suction-side noise levels: LwA measured as per ISO 13347 / LpA measured with 1m distance to fan axis. The values given are valid under the measuring conditions mentioned above and may vary according to the actual installation situation. With any deviation from the standard set-up, the specific values have to be checked and reviewed with the unit installed.

Measured values

	U	f	n	P _e	I	qv	P _{sf}
	V	Hz	min ⁻¹	W	A	m³/h	Pa
1	115	60	3250	38	0.47	380	0
2	115	60	3210	40	0.48	340	25
3	115	60	3180	41	0.48	290	50
4	115	60	3180	41	0.48	215	70

