

W2D250-HH02-07

AC axial compact fan

sickled blades (S series)



ASIA PACIFIC SHENGRUI LIMITED

Phone +00852 56261528

info@apacfan.com

www.apacfan.com

Nominal data

Type	W2D250-HH02-07		
Motor	M2D068-CC		
Phase		1~	1~
Nominal voltage	VAC	400	400
Connection		Y	Y
Frequency	Hz	50	60
Type of data definition		fa	fa
Valid for approval / standard		CE	CE
Speed	min ⁻¹	2500	2600
Power input	W	106	145
Current draw	A	0.2	0.23
Max. back pressure	Pa	160	150
Max. ambient temperature	°C	60	35

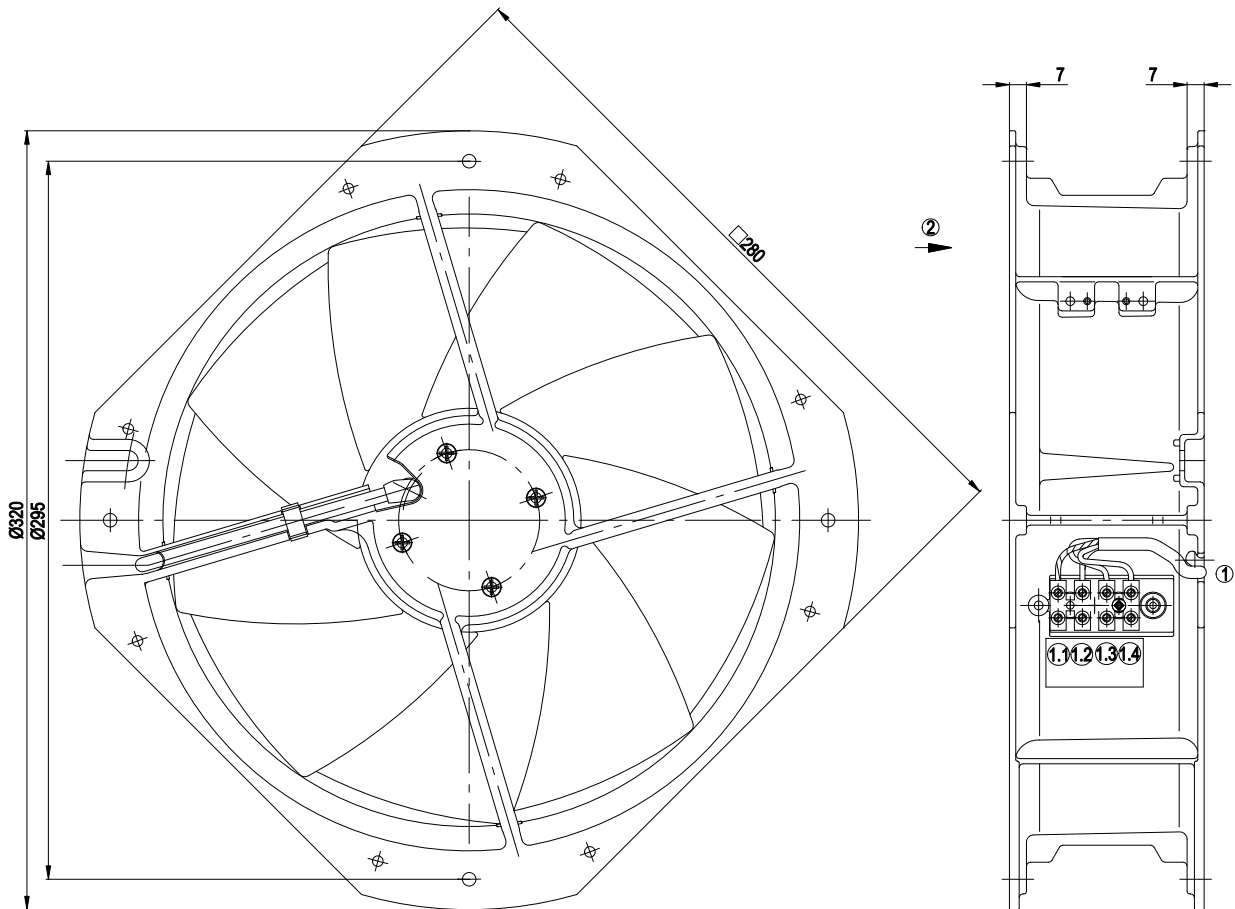
ml = max. load · me = max. efficiency · fa = running at free air · cs = customer specs · cu = customer unit
Subject to alterations



Technical features

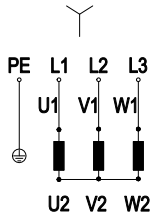
Mass	2.7 kg
Size	250 mm
Surface of rotor	Coated in black
Material of blades	Sheet steel, coated in black
Material of wall ring	Die-cast aluminium
Number of blades	7
Direction of air flow	"V"
Direction of rotation	Counter-clockwise, seen on rotor
Type of protection	IP 44; Depending on installation and position
Insulation class	"B"
Humidity class	F5
Max. permissible ambient motor temp. (transp./ storage)	+ 80 °C
Min. permissible ambient motor temp. (transp./storage)	- 40 °C
Mounting position	Any
Condensate discharge holes	None
Operation mode	S1
Motor bearing	Ball bearing
Leakage current	< 0.75 mA
Electrical leads	Via terminal strip
Cable exit	Variable
Protection class	I (if protective earth is connected by customer)
Product conforming to standard	EN 60335-1
Approval	CCC; CSA C22.2 Nr.100; UL 1004-1

Product drawing



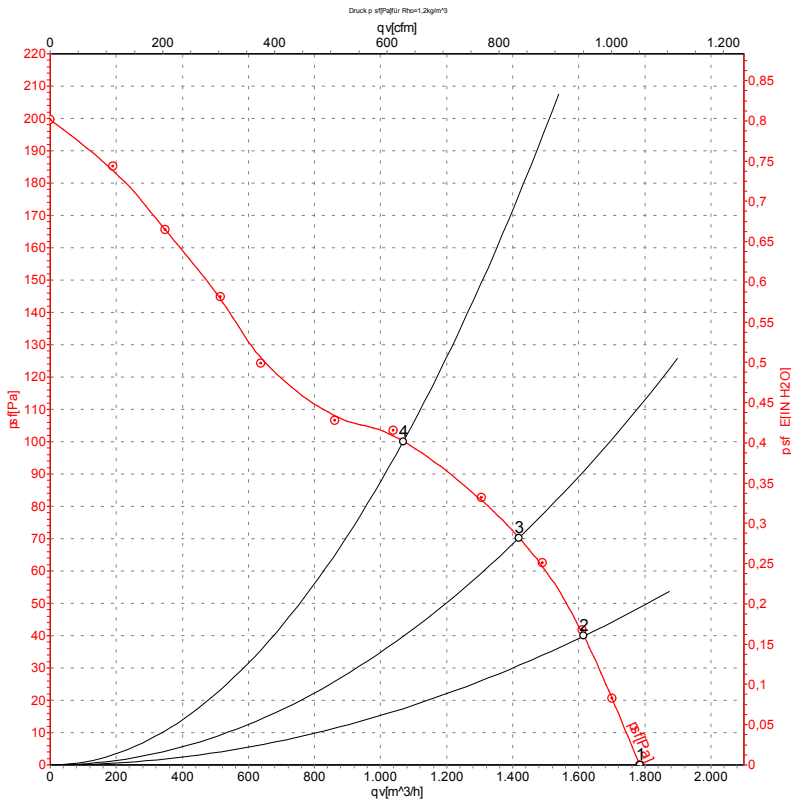
1	Connection line PVC 4G AWG20, 4x brass lead tips crimped
1.1	PE (green / yellow)
1.2	L1=U1 (black)
1.3	L2=V1 (blue)
1.4	L3=W1 (brown)
2	Direction of air flow "V"

Connection screen



Y	Star connection	L1	black	L2	blue
L3	brown	PE	green/yellow		

Charts: Air flow 50 Hz



Measurement: LU-36296

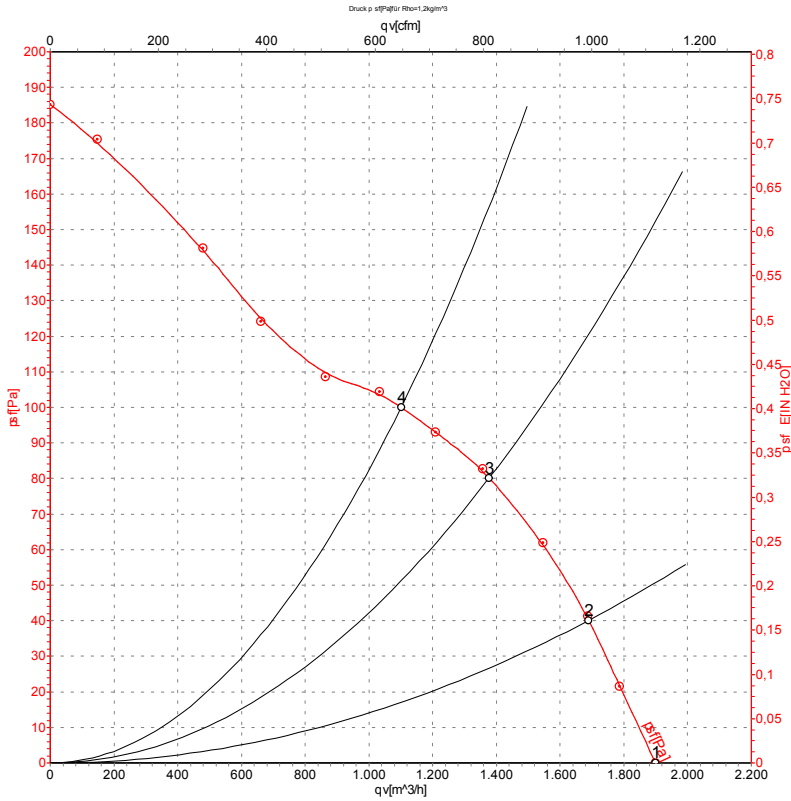
Air performance measured as per ISO 5801 Installation category A. For detailed information on the measuring set-up, please contact ebm-papst. Suction-side noise levels: L_{wA} measured as per ISO 13347 / L_{pA} measured with 1m distance to fan axis. The values given are valid under the measuring conditions mentioned above and may vary according to the actual installation situation. With any deviation from the standard set-up, the specific values have to be checked and reviewed with the unit installed.

Measured values

	U	f	n	P _e	I	q _v	P _{sf}
	V	Hz	min ⁻¹	W	A	m ³ /h	Pa
1	400	50	2500	106	0.20	1785	0
2	400	50	2425	117	0.21	1615	40
3	400	50	2370	125	0.22	1420	70
4	400	50	2300	135	0.23	1070	100



Charts: Air flow 60 Hz



Measurement: LU-36297

Air performance measured as per ISO 5801 Installation category A. For detailed information on the measuring set-up, please contact ebm-papst. Suction-side noise levels: LwA measured as per ISO 13347 / LpA measured with 1m distance to fan axis. The values given are valid under the measuring conditions mentioned above and may vary according to the actual installation situation. With any deviation from the standard set-up, the specific values have to be checked and reviewed with the unit installed.

Measured values

	U	f	n	P _e	I	qv	P _{sf}
	V	Hz	min ⁻¹	W	A	m ³ /h	Pa
1	400	60	2600	145	0.23	1900	0
2	400	60	2515	154	0.25	1690	40
3	400	60	2390	165	0.26	1375	80
4	400	60	2315	172	0.27	1100	100

