

R4E355-AL02-06

AC centrifugal fan

backward curved, single inlet



ASIA PACIFIC SHENGRUI LIMITED

Phone +00852 56261528

info@apacfan.com

www.apacfan.com

Nominal data

Type	R4E355-AL02-06		
Motor	M4E074-GA		
Phase		1~	1~
Nominal voltage	V	230	230
Frequency	Hz	50	60
Type of data definition		rfa	rfa
Valid for approval / standard		CE	CE
Speed	min ⁻¹	1420	1650
Power input	W	245	420
Current draw	A	1.12	1.9
Motor capacitor	μF	8	10
Capacitor voltage	VDB	400	450
Capacitor standard		P0 (CE)	P0 (CE)
Min. back pressure	Pa	0	
Max. ambient temperature	°C	70	40

ml = max. load · me = max. efficiency · rfa = running at free air · cs = customer specs · cu = customer unit
Subject to alterations

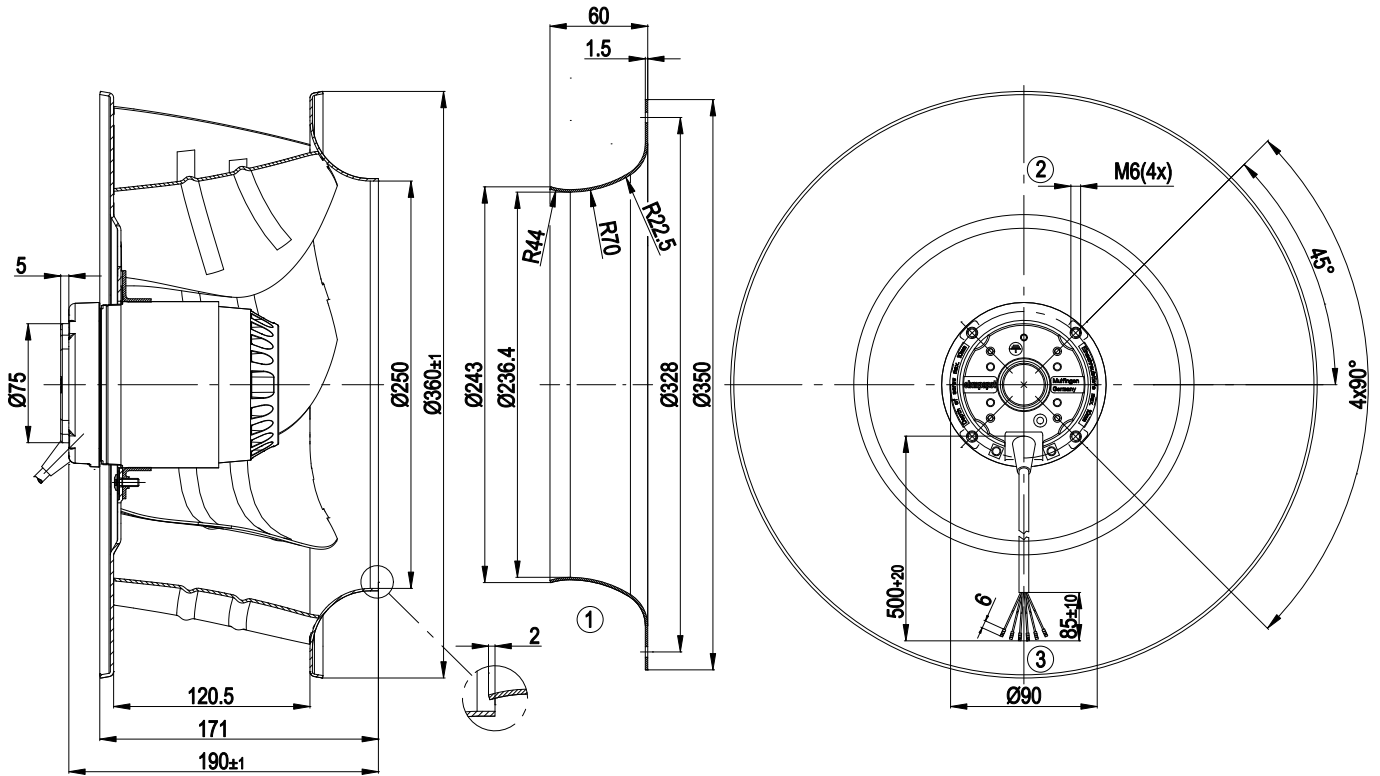
Technical features

Leakage current	< 0.75 mA
Size	355 mm
Operation mode	S1
Direction of rotation	Clockwise, seen on rotor
Mounting position	Any
Humidity class	F5
Insulation class	"F"
Cable exit	Variable
Motor bearing	Ball bearing
Mass	5.39 kg
Material of impeller	Aluminium sheet
Motor protection	Thermal overload protector (TOP) brought out
Product conforming to standard	CE; EN 60335-1
Surface of rotor	Coated in black
Number of blades	6
Type of protection	IP 00
Protection class	I
Max. permissible ambient motor temp. (transp./ storage)	+ 80 °C
Min. permissible ambient motor temp. (transp./storage)	- 40 °C
Approval	CCC

AC centrifugal fan

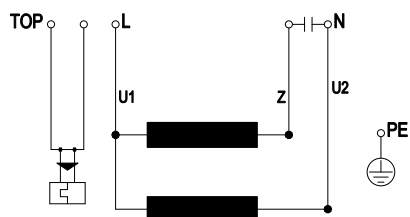
backward curved, single inlet

Product drawing



1	Accessory part: Inlet nozzle 35560-2-4013, not included in the standard scope of delivery. Other inlet nozzles on request
2	Depth of screw max. 10 mm
3	Connection line PVC 6 x 0.5 mm ² , 6 x brass lead tips crimped

Connection screen



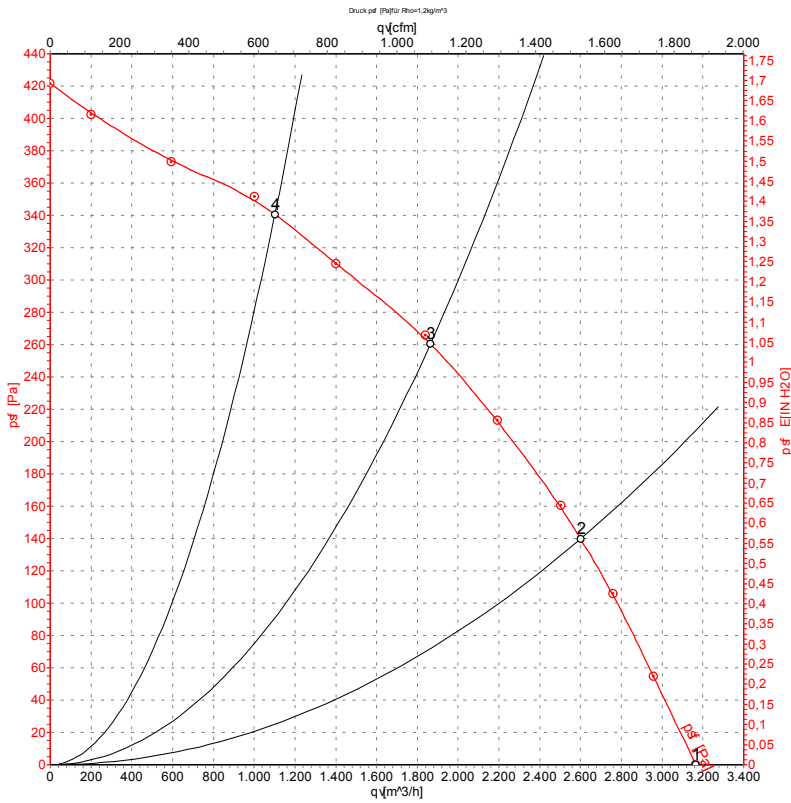
Note: TOP brought out

TOP	2 x grey	U1	blue	Z	brown
U2	black	PE	green / yellow		

AC centrifugal fan

backward curved, single inlet

Charts: Air flow 50 Hz



Measurement: LU-106561

Air performance measured as per ISO 5801 Installation Category A. For detailed information on the measuring set-up, please contact ebm-papst. Suction-side noise levels: L_{wA} measured as per ISO 13347 / L_{pA} measured with 1m distance to fan axis. The values given are valid under the measuring conditions mentioned above and may vary according to the actual installation situation. With any deviation from the standard set-up, the specific values have to be checked and reviewed with the unit installed.

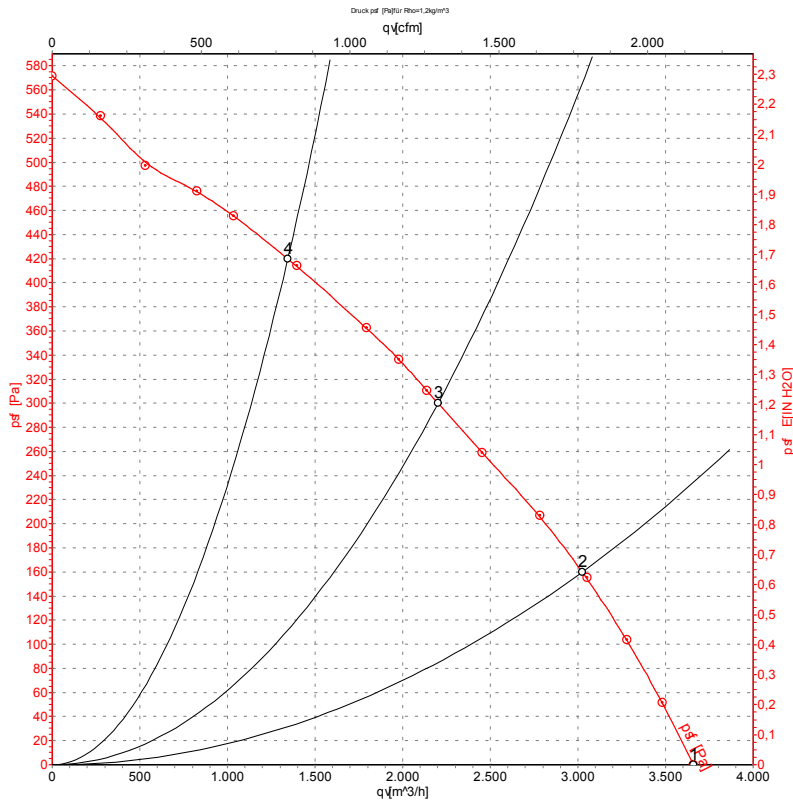
Measured values

	U	f	n	P ₁	I	qv	p _{st}
	V	Hz	min ⁻¹	W	A	m ³ /h	Pa
1	230	50	1420	245	1.12	3165	0
2	230	50	1400	288	1.28	2600	140
3	230	50	1390	298	1.32	1865	260
4	230	50	1410	271	1.22	1100	340

AC centrifugal fan

backward curved, single inlet

Charts: Air flow 60 Hz



Measurement: LU-54519

Air performance measured as per ISO 5801 Installation Category A. For detailed information on the measuring set-up, please contact ebm-papst. Suction-side noise levels: LwA measured as per ISO 13347 / LpA measured with 1m distance to fan axis. The values given are valid under the measuring conditions mentioned above and may vary according to the actual installation situation. With any deviation from the standard set-up, the specific values have to be checked and reviewed with the unit installed.

Measured values

	U	f	n	P ₁	I	qv	p _{sf}
	V	Hz	min ⁻¹	W	A	m ³ /h	Pa
1	230	60	1650	420	1.90	3660	0
2	230	60	1595	464	2.04	3025	160
3	230	60	1545	481	2.10	2205	300
4	230	60	1605	458	2.01	1345	420