

ASIA PACIFIC SHENGRUI LIMITED

Phone +00852 56261528

info@apacfan.com

www.apacfan.com



Nominal data

Type	R4D500-RA03-01		
Motor	M4D138-HF		
Phase		3~	3~
Nominal voltage	VAC	230	400
Connection		Δ	Y
Frequency	Hz	50	50
Type of data definition		ml	ml
Valid for approval / standard		CE	CE
Speed	min ⁻¹	1370	1370
Power input	W	1520	1520
Current draw	A	5.04	2.91
Min. back pressure	Pa	0	0
Min. ambient temperature	°C	-40	-40
Max. ambient temperature	°C	60	60
Starting current	A	24	14

ml = max. load · me = max. efficiency · fa = running at free air · cs = customer specs · cu = customer unit
Subject to alterations

Data according to ErP directive

Installation category	A
Efficiency category	Static
Variable speed drive	No
Specific ratio*	1.01

* Specific ratio = $1 + p_{fs} / 100\,000\text{ Pa}$

	Actual	Request 2013	Request 2015
Overall efficiency η_{es}	53.4	49.4	53.4
Efficiency grade N	62	58	62
Power input P_e	kW	1.51	
Air flow q_v	m ³ /h	5520	
Pressure increase p_{fs}	Pa	527	
Speed n	min ⁻¹	1370	

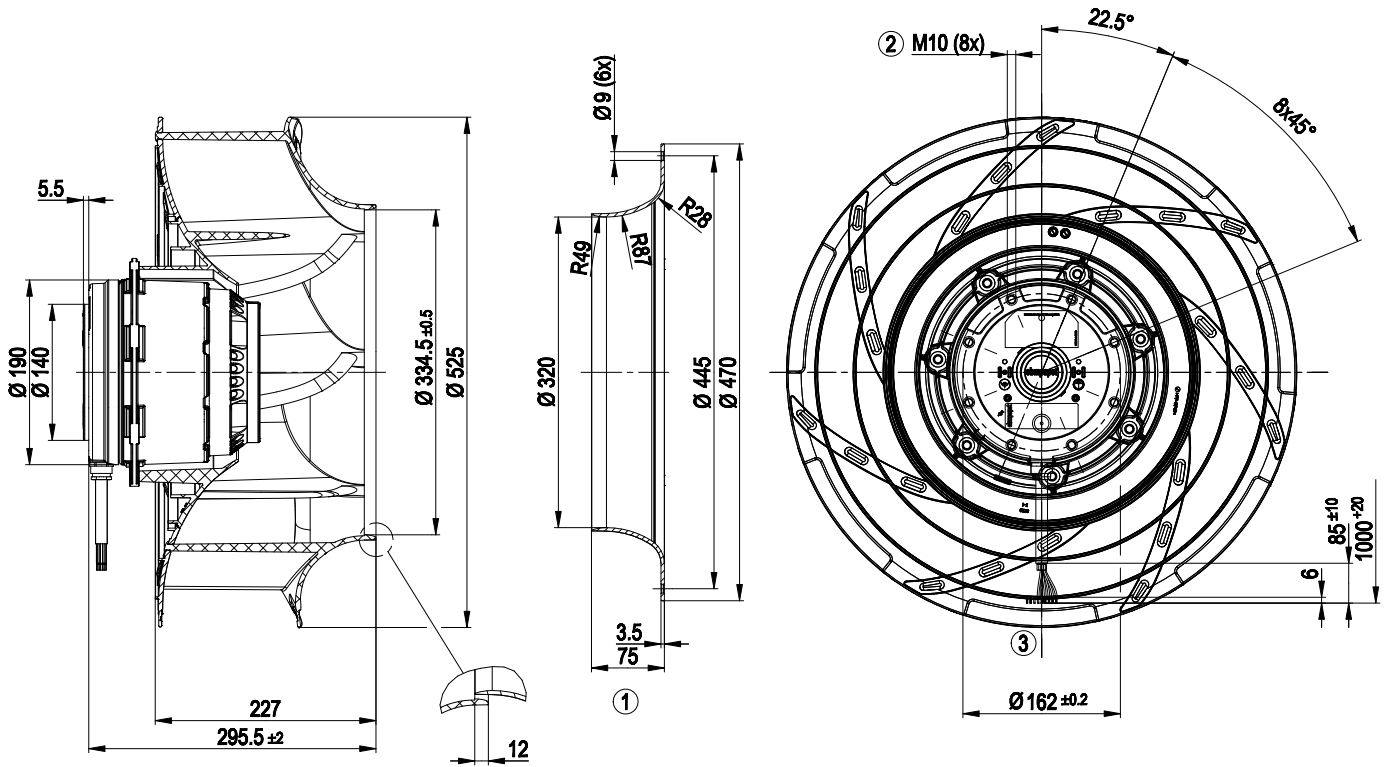
Data established at point of optimum efficiency



Technical features

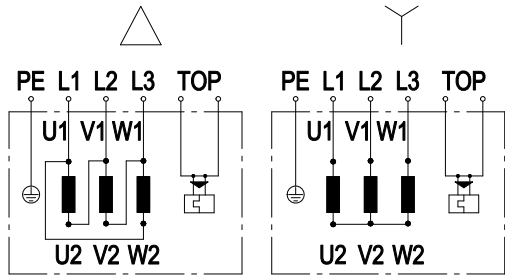
Mass	22.3 kg
Size	500 mm
Surface of rotor	Cast in aluminium
Material of impeller	PP plastic, fibreglass-reinforced
Number of blades	7
Direction of rotation	Clockwise, seen on rotor
Type of protection	IP 54
Insulation class	"F"
Humidity class	F3-1
Max. permissible ambient motor temp. (transp./ storage)	+ 80 °C
Min. permissible ambient motor temp. (transp./storage)	- 40 °C
Mounting position	Any
Condensate discharge holes	On rotor and stator sides
Operation mode	S1
Motor bearing	Ball bearing
Touch current acc. IEC 60990 (measuring network Fig. 4, TN system)	<= 3.5 mA
Motor protection	Thermal overload protector (TOP) brought out
Cable exit	Lateral
Protection class	I (if protective earth is connected by customer)
Product conforming to standard	EN 60034; EN 61800-5-1; CE
Approval	GOST; VDE

Product drawing



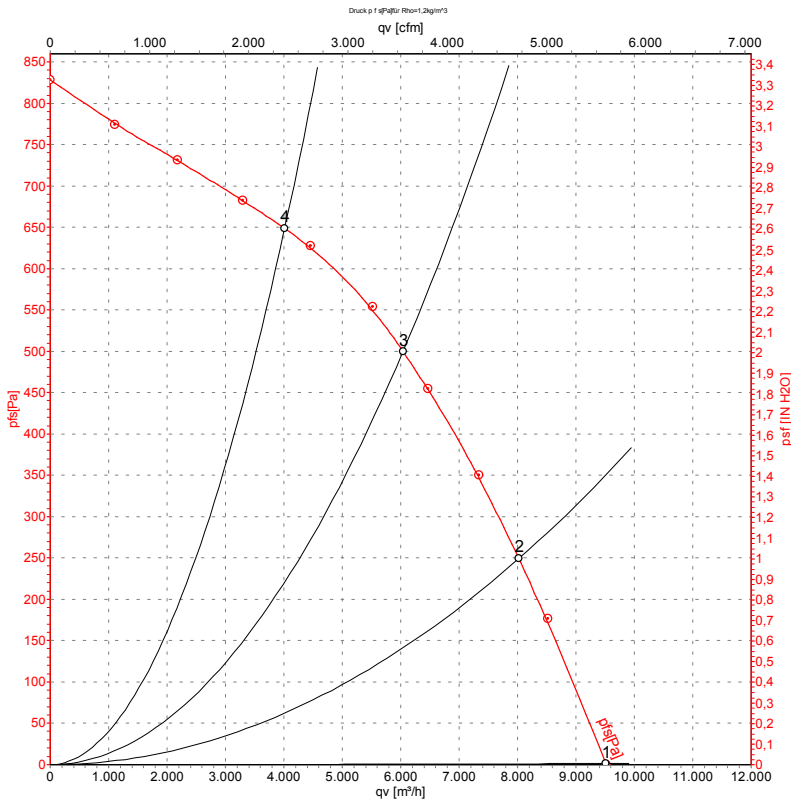
- | | |
|---|--|
| 1 | Accessory part: Inlet nozzle 50901-2-2943, not included in the standard scope of delivery. |
| 2 | Depth of screw max. 18 mm |
| 3 | Connection line halogen-free, 9x 0.75mm ² , 9x brass lead tips crimped |

Connection screen



Δ	Delta connection	Y	Star connection	L1	black
L2	blue	L3	brown	U1	black
V1	blue	W1	brown	U2	green
V2	white	W2	yellow	TOP	2xgrey
PE	green/yellow				

Charts: Air flow 50 Hz



Measurement: LU-136742

Air performance measured as per ISO 5801 Installation category A. For detailed information on the measuring set-up, please contact ebm-papst. Suction-side noise levels: LwA measured as per ISO 13347 / LpA measured with 1m distance to fan axis. The values given are valid under the measuring conditions mentioned above and may vary according to the actual installation situation. With any deviation from the standard set-up, the specific values have to be checked and reviewed with the unit installed.

Measured values

	Conn.	U	f	n	P _e	I	LwA _{in}	qv	p _{fs}
		V	Hz	min ⁻¹	W	A	dB(A)	m ³ /h	Pa
1	Y	400	50	1410	1125	2.44	81	9510	0
2	Y	400	50	1390	1350	2.71	77	8020	250
3	Y	400	50	1370	1520	2.91	73	6040	500
4	Y	400	50	1380	1385	2.75	73	4010	650

Conn. = Connection · U = Supply voltage · f = Frequency · n = Speed · P_e = Power input · I = Current draw · LwA_{in} = Sound power level inlet side · qv = Air flow · p_{fs} = Pressure increase

