

R4D500-AT03-01

AC centrifugal fan

backward curved, single inlet



ASIA PACIFIC SHENGRUI LIMITED

Phone +00852 56261528

info@apacfan.com

www.apacfan.com

Nominal data

Type	R4D500-AT03-01		
Motor	M4D138-HF		
Phase		3~	3~
Nominal voltage	VAC	230	400
Connection		Δ	Y
Frequency	Hz	50	50
Type of data definition		ml	ml
Valid for approval / standard		-	-
Speed	min ⁻¹	1375	1375
Power input	W	1430	1430
Current draw	A	5.2	3
Min. back pressure	Pa	0	0
Min. ambient temperature	°C	-40	-40
Max. ambient temperature	°C	85	85
Starting current	A	24	14

ml = Max. load · me = Max. efficiency · fa = Running at free air · cs = Customer specs · cu = Customer unit
Subject to alterations



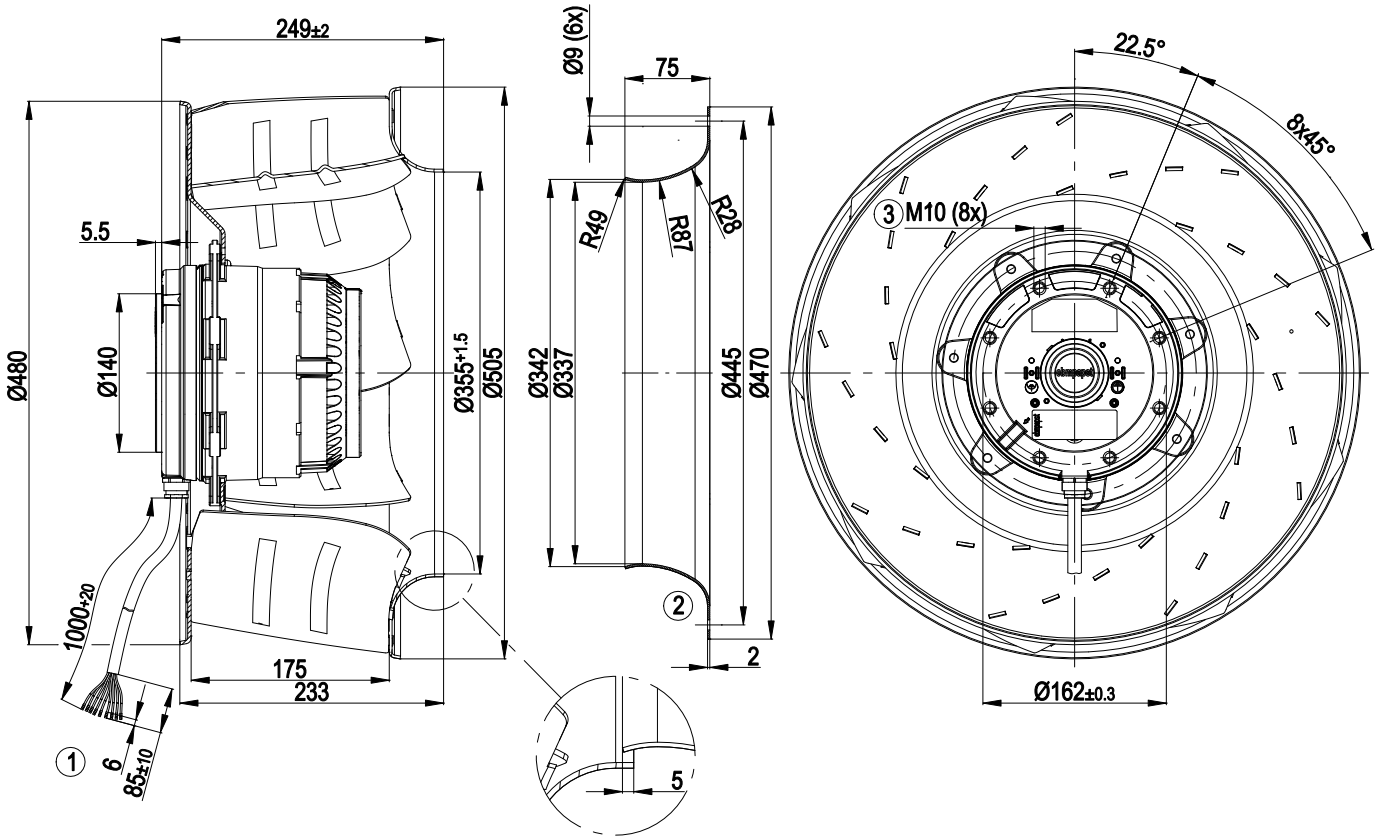
Technical features

Mass	22.2 kg
Size	500 mm
Surface of rotor	Cast in aluminium
Material of impeller	Aluminium sheet
Number of blades	9
Direction of rotation	Clockwise, seen on rotor
Type of protection	IP 54
Insulation class	"F"
Humidity class	F3-1
Max. permissible ambient motor temp. (transp./ storage)	+ 80 °C
Min. permissible ambient motor temp. (transp./storage)	- 40 °C
Mounting position	Any
Condensate discharge holes	On rotor and stator sides
Operation mode	S1
Motor bearing	Ball bearing
Touch current acc. IEC 60990 (measuring network Fig. 4, TN system)	<= 3.5 mA
Motor protection	Thermal overload protector (TOP) brought out
Cable exit	Lateral
Protection class	I (if protective earth is connected by customer)
Product conforming to standard	EN 61800-5-1; EN 60034
Approval	EAC; VDE

AC centrifugal fan

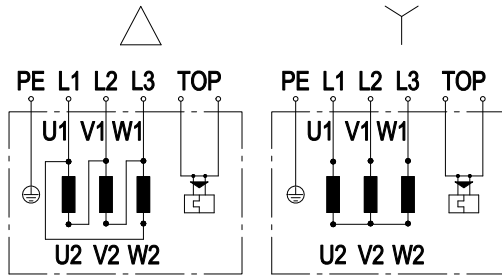
backward curved, single inlet

Product drawing



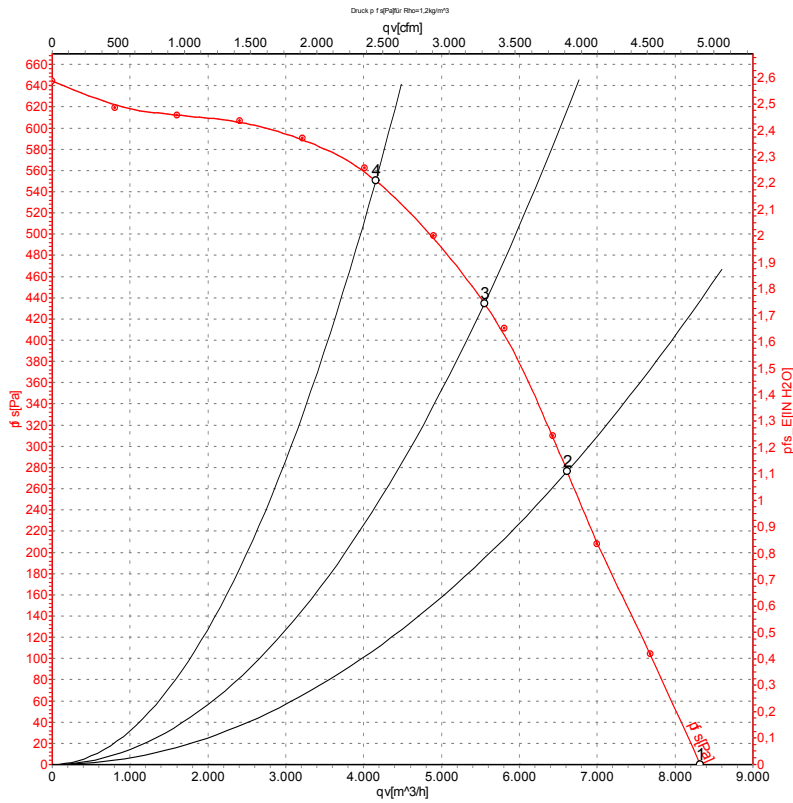
- | | |
|---|--|
| 1 | Connection line halogen-free, 9 x 0.75 mm ² , 9 x brass lead tips crimped |
| 2 | Accessory part: Inlet nozzle 63072-2-4013, not included in the standard scope of delivery. |
| 3 | Depth of screw max. 18 mm |

Connection screen



Δ	Delta connection	Y	Star connection	L1	black
L2	blue	L3	brown	U1	black
V1	blue	W1	brown	U2	green
V2	white	W2	yellow	TOP	2xgrey
PE	green/yellow				

Charts: Air flow 50 Hz Y



Air performance measured as per ISO 5801 Installation category A. For detailed information on the measuring set-up, please contact ebm-papst. Suction-side noise levels: L_{wA} measured as per ISO 13347 / L_{pA} measured with 1m distance to fan axis. The values given are valid under the measuring conditions mentioned above and may vary according to the actual installation situation. With any deviation from the standard set-up, the specific values have to be checked and reviewed with the unit installed.

Measured values

	Conn.	U	f	n	P _e	I	qv	p _{fs}
		V	Hz	min ⁻¹	W	A	m ³ /h	Pa
1	Y	400	50	1405	1157	2.64	8320	0
2	Y	400	50	1380	1358	2.88	6615	275
3	Y	400	50	1375	1430	3.00	5550	435
4	Y	400	50	1380	1334	2.86	4155	550

Conn. = Connection · U = Supply voltage · f = Frequency · n = Speed · P_e = Power input · I = Current draw · qv = Air flow · p_{fs} = Pressure increase