

ASIA PACIFIC SHENGRUI LIMITED

Phone +00852 56261528

info@apacfan.com

www.apacfan.com

Nominal data

| | | |
|--------------------------|-------------------|------------|
| Type | R3G355-RB03-10 | |
| Motor | M3G074-DF | |
| Phase | | 1~ |
| Nominal voltage | VAC | 230 |
| Nominal voltage range | VAC | 200 .. 240 |
| Frequency | Hz | 50/60 |
| Method of obtaining data | | ml |
| Speed (rpm) | min ⁻¹ | 1350 |
| Power consumption | W | 205 |
| Current draw | A | 2.0 |
| Min. ambient temperature | °C | -25 |
| Max. ambient temperature | °C | 50 |

ml = Max. load · me = Max. efficiency · fa = Free air · cs = Customer specification · ce = Customer equipment
Subject to change

Data according to Commission Regulation (EU) 327/2011

| | | Actual | Req. 2015 |
|-----------------------------------|---|--------|-----------|
| 01 Overall efficiency η_{es} | % | 64.7 | 44.2 |
| 02 Measurement category | | A | |
| 03 Efficiency category | | Static | |
| 04 Efficiency grade N | | 82.5 | 62 |
| 05 Variable speed drive | | Yes | |

Data obtained at optimum efficiency level.

The ErP data is determined using a motor-impeller combination in a standardized measurement setup.

| | | |
|-------------------------------|-------------------|------|
| 09 Power consumption P_{ed} | kW | 0.2 |
| 09 Air flow q_v | m ³ /h | 2105 |
| 09 Pressure increase p_{fs} | Pa | 196 |
| 10 Speed (rpm) n | min ⁻¹ | 1350 |
| 11 Specific ratio* | | 1.00 |

* Specific ratio = $1 + p_{fs} / 100\,000\text{ Pa}$

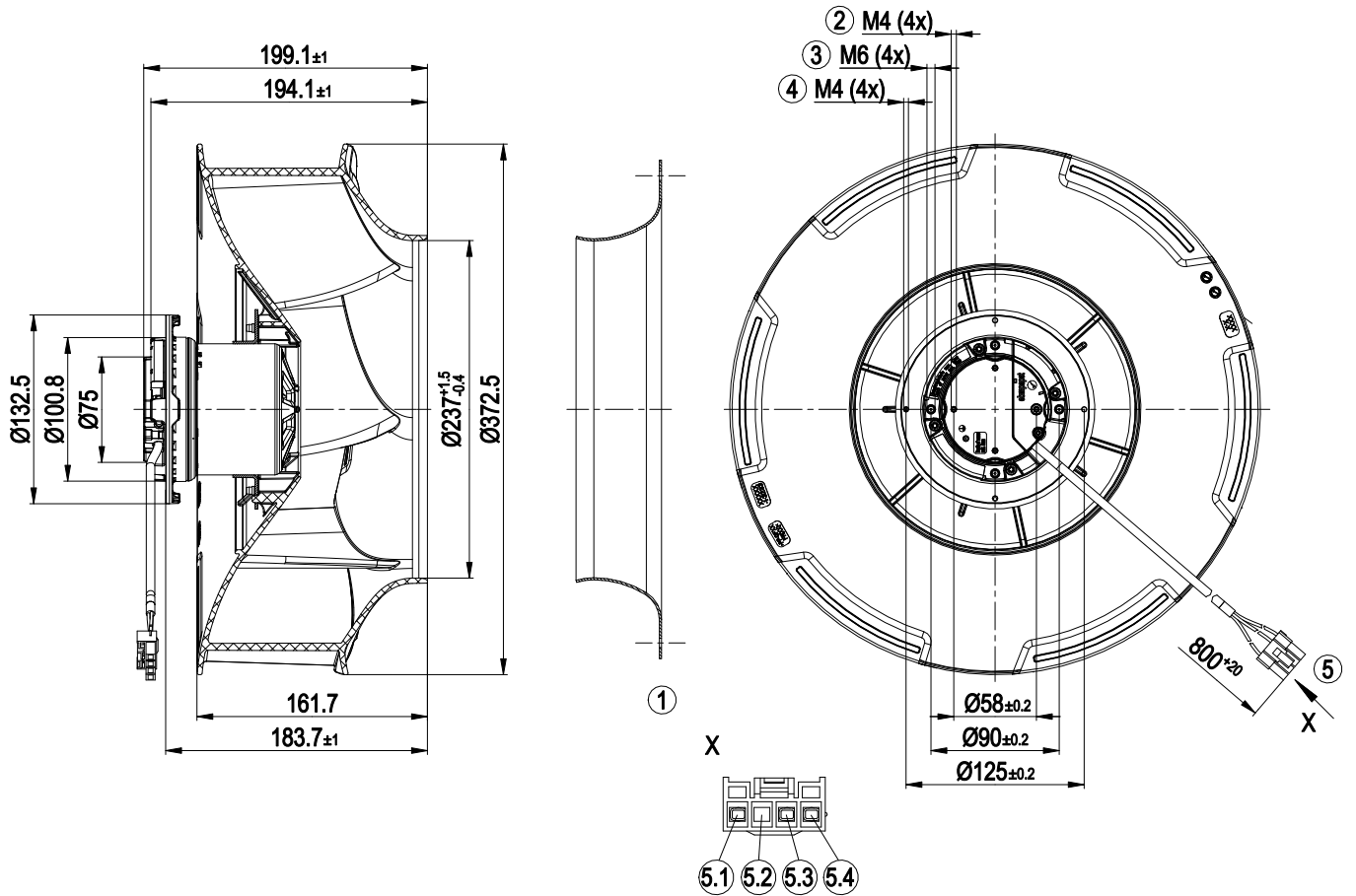
LU-187642



Technical description

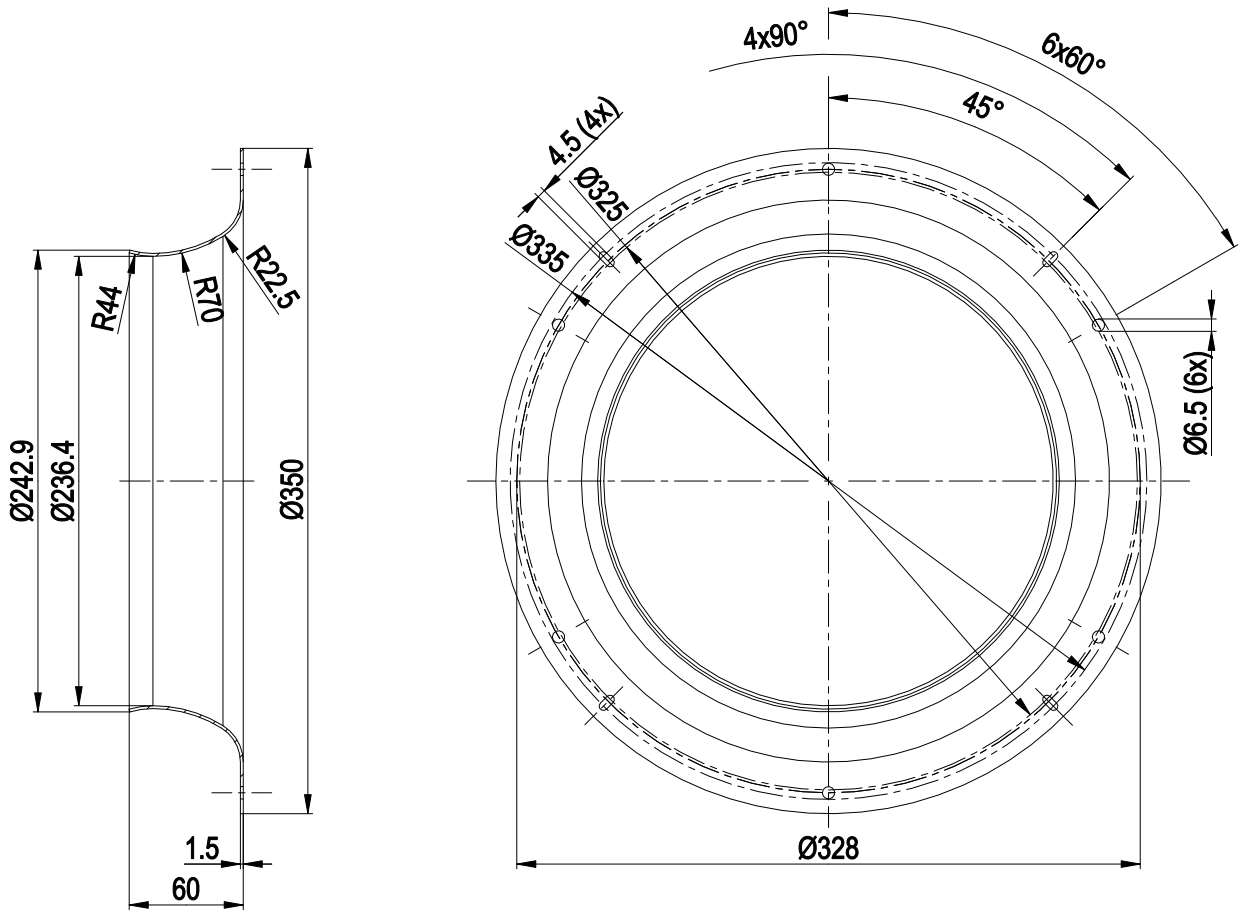
| | |
|---|---|
| Weight | 3.7 kg |
| Fan size | 355 mm |
| Rotor surface | Thick-film passivated |
| Impeller material | PP plastic |
| Number of blades | 6 |
| Direction of rotation | Clockwise, viewed toward rotor |
| Degree of protection | IP54; installation- and position-dependent |
| Insulation class | "B" |
| Moisture (F) / Environmental (H) protection class | F3-1 |
| Max. permitted ambient temp. for motor (transport/storage) | + 80 °C |
| Min. permitted ambient temp. for motor (transport/storage) | - 40 °C |
| Installation position | Any |
| Condensation drainage holes | None, open rotor |
| Cooling hole/opening | On rotor side |
| Mode | S1 |
| Motor bearing | Ball bearing |
| Technical features | <ul style="list-style-type: none"> - Power limiter - Soft start - Thermal overload protection for motor - Line undervoltage detection |
| Touch current according to IEC 60990 (measuring circuit Fig. 4, TN system) | <= 3.5 mA |
| Electrical hookup | With plug |
| Motor protection | Electronic motor protection |
| With cable | Variable |
| Protection class | I (with customer connection of protective earth) |
| Conformity with standards | EN 60335-1; CE |
| Approval | UL 1004-7 + 60730; C22.2 No.77 + CAN/CSA-E60730-1 |

Product drawing



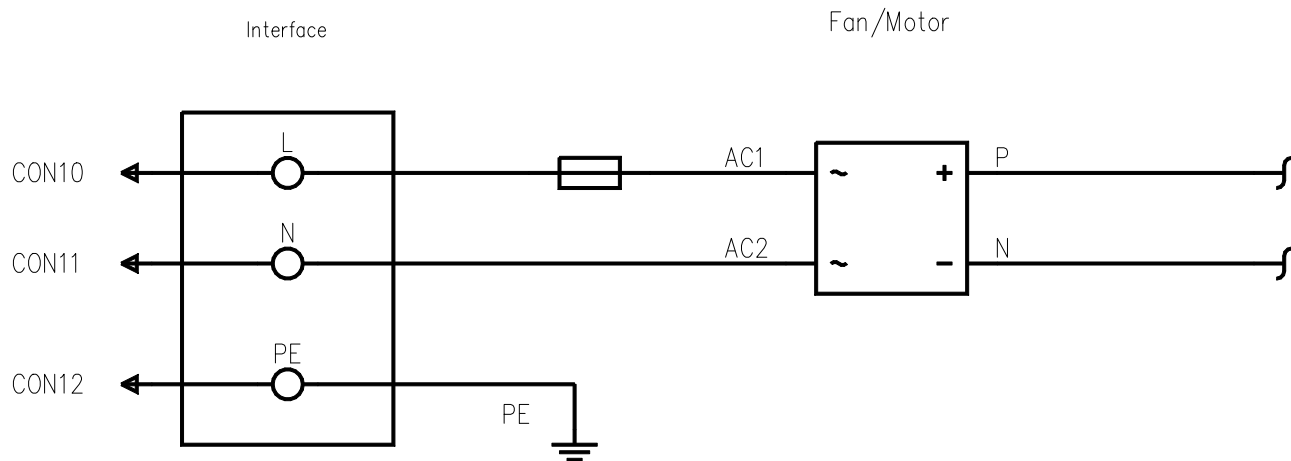
| | |
|-----|--|
| 1 | Accessory part: inlet ring 35560-2-4013 not included in scope of delivery |
| 2 | Max. clearance for screw 5 mm |
| 3 | Max. clearance for screw 10 mm |
| 4 | Max. clearance for screw 10 mm |
| 5 | Cable PVC AWG20, 4-pole connector housing JST VLP-04VN-1, 3x socket JST SVF-61T-P2.0 crimped |
| 5.1 | PE (green/yellow) |
| 5.2 | not used |
| 5.3 | N (black) |
| 5.4 | L (blue) |

Accessory part



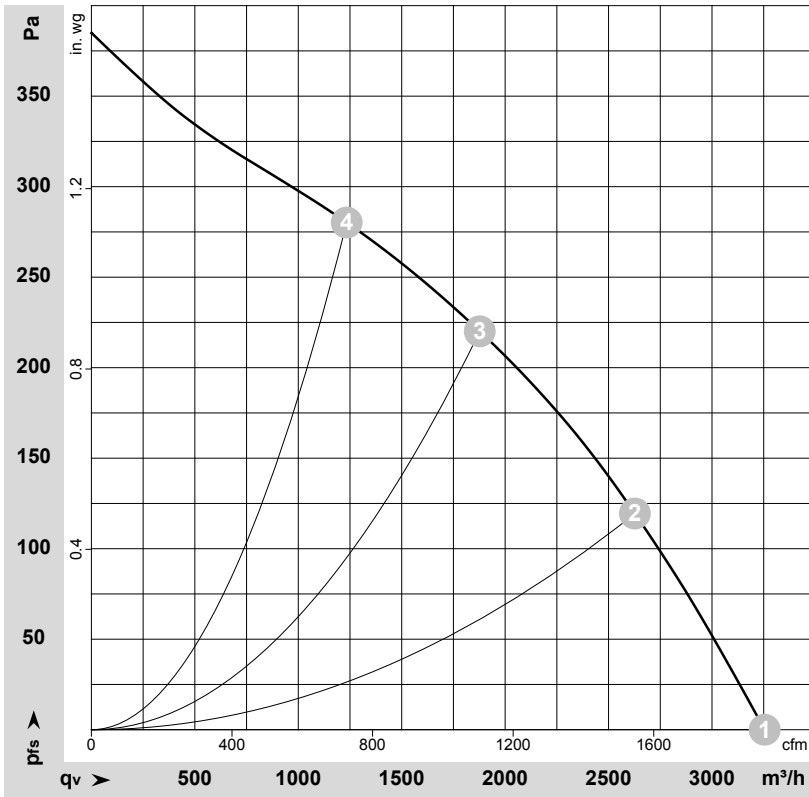
Inlet ring 35560-2-4013

Connection diagram



| No. | Conn. | Designation | Color | Function/assignment |
|-----|-------|-------------|--------------|--|
| | L | CON10 | black | Power supply, phase, see nameplate for voltage range |
| | N | CON11 | blue | Power supply, neutral conductor, see nameplate for voltage range |
| | PE | CON12 | green/yellow | Protective earth |

Curves: Air performance 50 Hz



$\rho = 1.15 \text{ kg/m}^3 \pm 2 \%$

Measurement: LU-187642-1

Air performance measured according to ISO 5801 installation category A. For detailed information on the measurement setup, contact ebm-papst. Intake sound level: Sound power level according to ISO 13347 / sound pressure level measured at 1 m distance from fan axis. The values given are valid under the specified measuring conditions and may vary due to conditions of installation. For deviations from the standard configuration, the parameters have to be checked on the installed unit.

Measured values

| | Wired | U | f | n | P _{ed} | I | q _v | p _{fs} | q _v | p _{fs} |
|---|-------|-----|----|-------------------|-----------------|------|-------------------|-----------------|----------------|-----------------|
| | | V | Hz | min ⁻¹ | W | A | m ³ /h | Pa | cfm | in. wg |
| 1 | 1~ | 230 | 50 | 1425 | 158 | 1.53 | 3255 | 0 | 1915 | 0.00 |
| 2 | 1~ | 230 | 50 | 1370 | 190 | 1.82 | 2625 | 120 | 1545 | 0.48 |
| 3 | 1~ | 230 | 50 | 1350 | 205 | 2.00 | 1875 | 220 | 1105 | 0.88 |
| 4 | 1~ | 230 | 50 | 1365 | 192 | 1.84 | 1235 | 280 | 725 | 1.12 |

Wired = Wiring · U = Power supply · f = Frequency · n = Speed (rpm) · P_{ed} = Power consumption · I = Current draw · q_v = Air flow · p_{fs} = Pressure increase