

R3G190-RB01-06

# EC centrifugal fan - RadiCal®

backward curved, single inlet



**ASIA PACIFIC SHENGRUI LIMITED**

Phone +00852 56261528

info@apacfan.com

www.apacfan.com

## Nominal data

Type	R3G190-RB01-06	
Motor	M3G055-BD	
Phase		1~
Nominal voltage	VAC	230
Nominal voltage range	VAC	200 .. 240
Frequency	Hz	50/60
Type of data definition		ml
Speed	min <sup>-1</sup>	2490
Power input	W	44
Current draw	A	0.43
Min. ambient temperature	°C	-25
Max. ambient temperature	°C	60

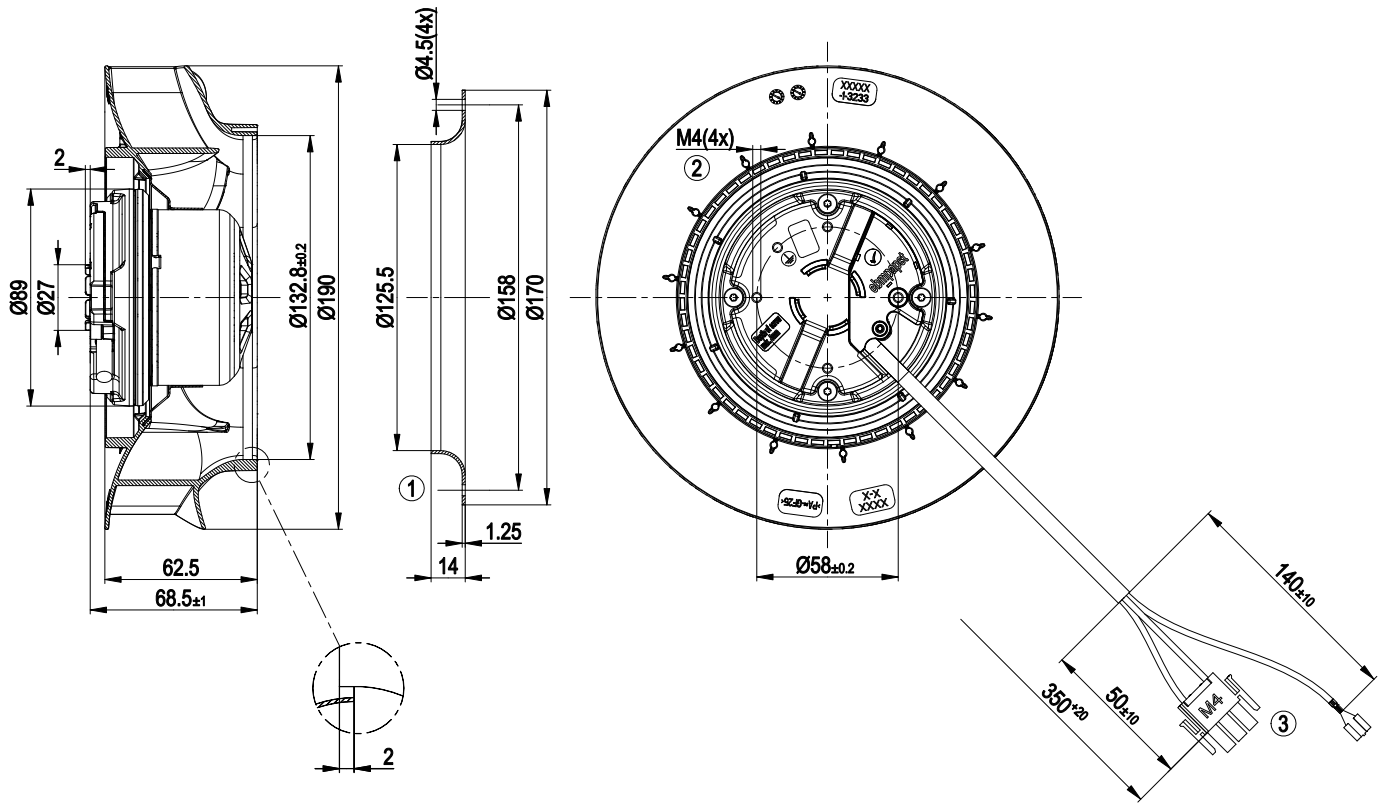
ml = Max. load · me = Max. efficiency · fa = Running at free air · cs = Customer specs · cu = Customer unit  
Subject to alterations



## Technical features

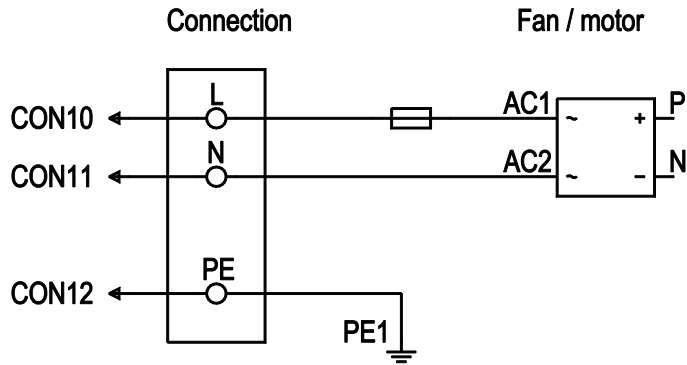
<b>Mass</b>	0.94 kg
<b>Size</b>	190 mm
<b>Surface of rotor</b>	Thick layer passivated
<b>Material of impeller</b>	PA plastic
<b>Number of blades</b>	7
<b>Direction of rotation</b>	Clockwise, seen on rotor
<b>Type of protection</b>	IP 54
<b>Insulation class</b>	"B"
<b>Max. permissible ambient motor temp. (transp./ storage)</b>	+ 80 °C
<b>Min. permissible ambient motor temp. (transp./storage)</b>	- 40 °C
<b>Mounting position</b>	Any
<b>Condensate discharge holes</b>	None, open rotor
<b>Operation mode</b>	S1
<b>Motor bearing</b>	Ball bearing
<b>Technical features</b>	- Motor current limit - Soft start - Over-temperature protected electronics / motor
<b>EMC interference immunity</b>	Acc. to EN 61000-6-2 (industrial environment)
<b>EMC harmonics</b>	Acc. to EN 61000-3-2/3
<b>EMC interference emission</b>	Acc. to EN 61000-6-3 (household environment)
<b>Touch current acc. IEC 60990 (measuring network Fig. 4, TN system)</b>	<= 3.5 mA
<b>Electrical leads</b>	STK
<b>Motor protection</b>	Locked-rotor protection
<b>Cable exit</b>	Variable
<b>Protection class</b>	I (if protective earth is connected by customer)
<b>Product conforming to standard</b>	EN 60335-1; CE
<b>Approval</b>	CCC; CSA C22.2 Nr.77; UL 2111

Product drawing



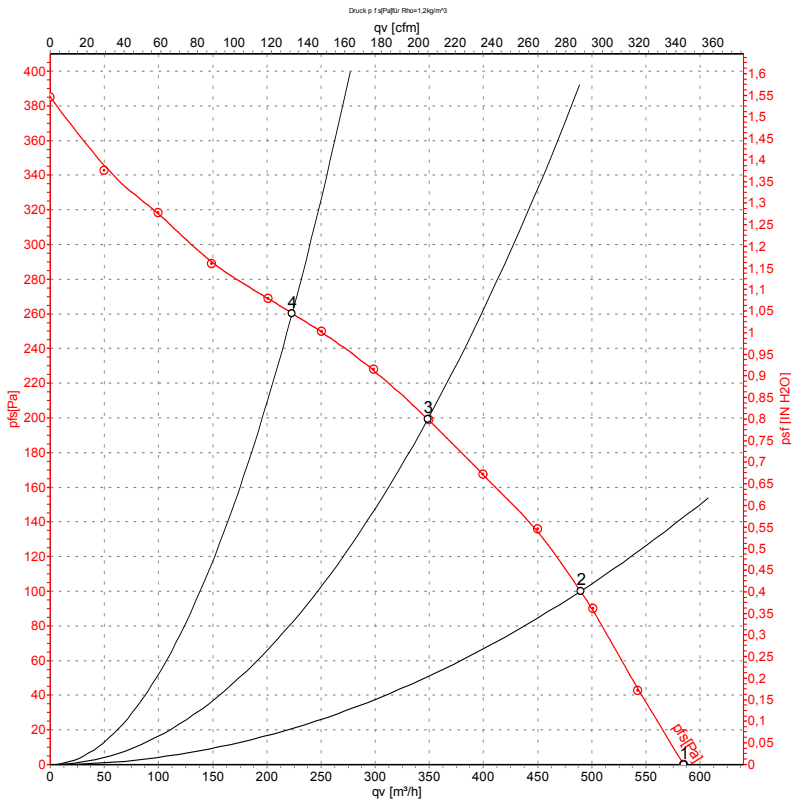
1	Accessory part: Inlet nozzle 09576-2-4013, not included in the standard scope of delivery
2	Depth of screw max. 5 mm
3	Connection line PVC 3X AWG20, connector housing AMP350766-4 with 2x plug pin AMP 926885-1 and 1x receptacle for tabs AMP 927852-6

## Connection screen



No.	Conn.	Designation	Colour	Function / assignment
	CON 10	L	black	Power supply 230 VAC, 50 - 60 Hz, for voltage range refer to rating plate
	CON 11	N	Blue	Neutral conductor
	CON 12	PE	green/yellow	Protective earth

## Charts: Air flow 50 Hz



Measurement: LU-128838

Air performance measured as per ISO 5801 Installation category A. For detailed information on the measuring set-up, please contact ebm-papst. Suction-side noise levels: LwA measured as per ISO 13347 / LpA measured with 1m distance to fan axis. The values given are valid under the measuring conditions mentioned above and may vary according to the actual installation situation. With any deviation from the standard set-up, the specific values have to be checked and reviewed with the unit installed.

## Measured values

	U	f	n	P <sub>ed</sub>	I	qv	p <sub>fs</sub>
	V	Hz	min <sup>-1</sup>	W	A	m <sup>3</sup> /h	Pa
1	230	50	2635	37	0.37	585	0
2	230	50	2565	40	0.41	490	100
3	230	50	2490	44	0.43	350	200
4	230	50	2540	42	0.41	225	260

U = Supply voltage · f = Frequency · n = Speed · P<sub>ed</sub> = Power input · I = Current draw · qv = Air flow · p<sub>fs</sub> = Pressure increase

