

## ASIA PACIFIC SHENGRUI LIMITED

Phone +00852 56261528

info@apacfan.com

www.apacfan.com

## Nominal data

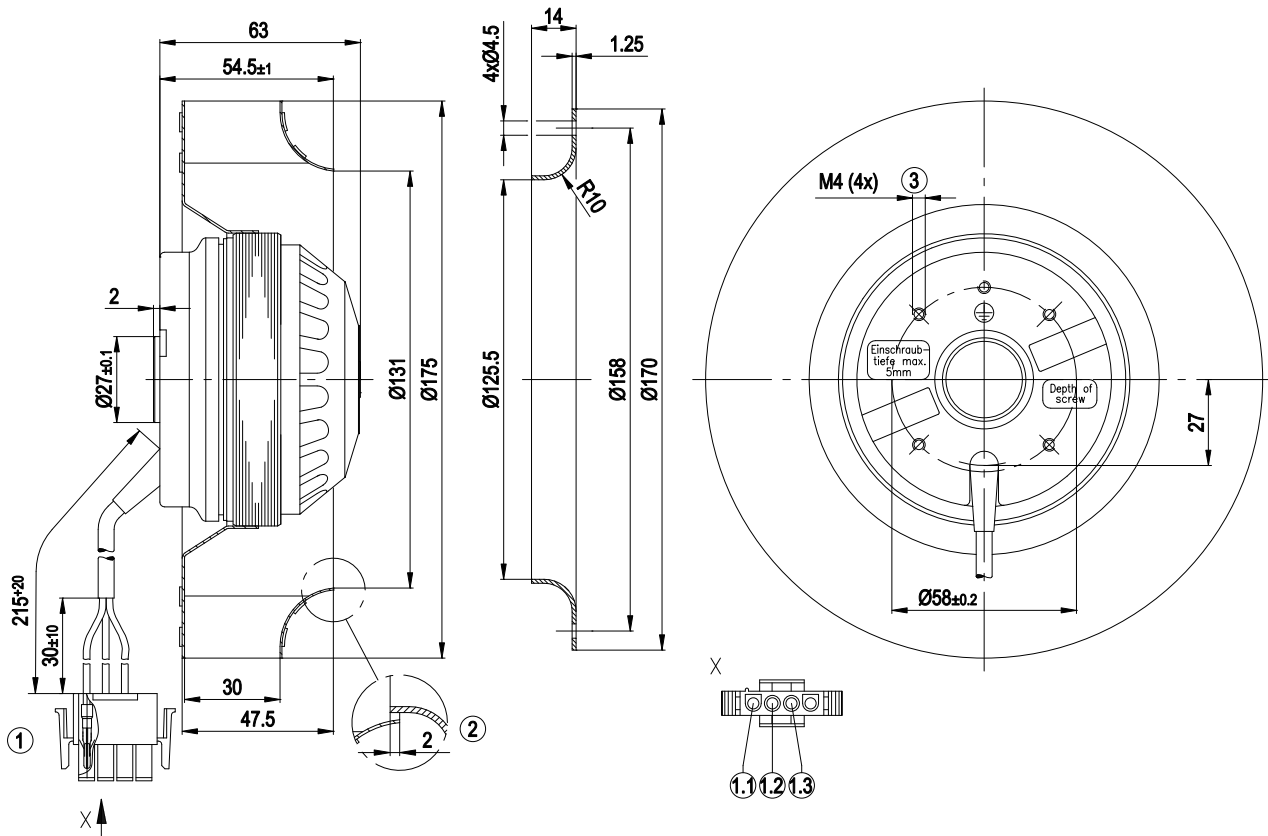
Type	R2E175-AC79-29			
Motor	M2E068-BF			
Phase		1~	1~	1~
Nominal voltage	V	115	115	115
Frequency	Hz	50	60	60
Type of data definition		rfa	rfa	rfa
Valid for approval / standard		CE	CE	UL
Speed	min <sup>-1</sup>	2600	2900	2900
Power input	W	55	70	80
Current draw	A	0.50	0.61	0.67
Motor capacitor	μF	6	6	6
Capacitor voltage	VDB	220	220	220
Capacitor standard		P0 (CE)	P0 (CE)	UL
Max. ambient temperature	°C	-	-	65

ml = max. load · me = max. efficiency · rfa = running at free air · cs = customer specs · cu = customer unit  
Subject to alterations

### Technical features

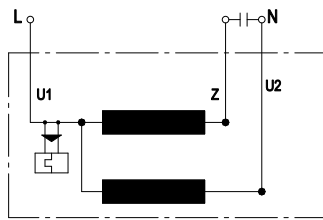
Leakage current	< 0.75 mA
Size	175 mm
Operation mode	S1
Direction of rotation	Clockwise, seen on rotor
Mounting position	Any
Electrical leads	With plug
Humidity class	F0
Insulation class	"B"
Cable exit	Variable
Condensate discharge holes	None
Motor bearing	Ball bearing
Mass	1.3 kg
Material of impeller	Sheet steel, hot-galvanised
Motor protection	Thermal overload protector (TOP) wired internally
Product conforming to standard	CE; EN 60335-1
Surface of rotor	Uncoated
Number of blades	16
Type of protection	IP 44; Depending on installation and position
Protection class	I (if protective earth is connected by customer)
Max. permissible ambient motor temp. (transp./ storage)	+ 80 °C
Min. permissible ambient motor temp. (transp./storage)	- 40 °C
Approval	CCC; CSA C22.2 Nr.77; UL 2111

Product drawing



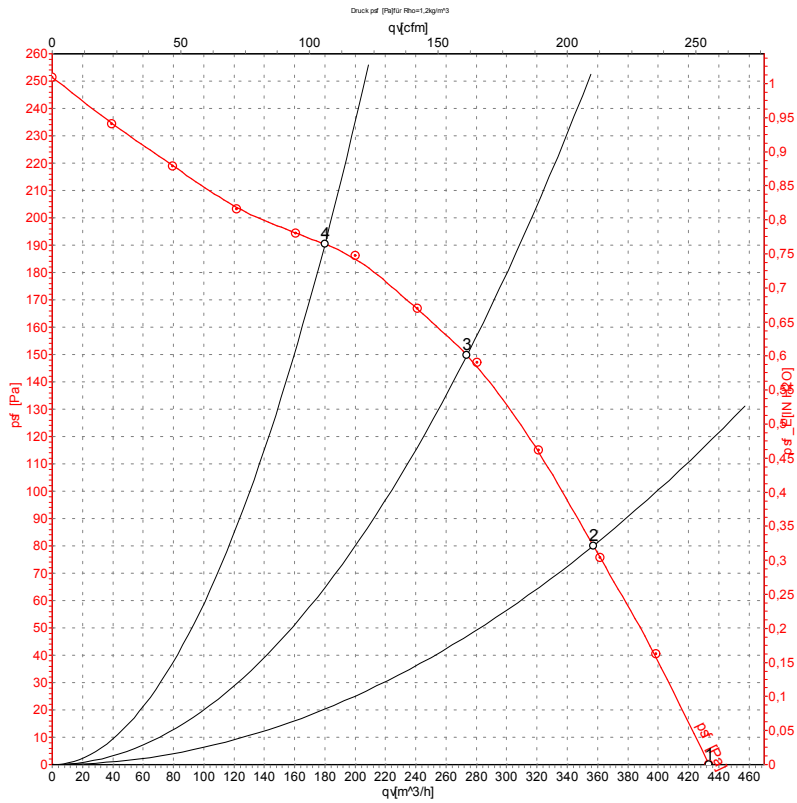
1	Connection line PVC 3X 0.5mm <sup>2</sup> , 3x AMP plug pin 926885-1 with AMP connector shell 350779-1
1.1	brown
1.2	blue
1.3	black
2	Accessory part: Inlet nozzle 09576-2-4013, not included in the standard scope of delivery.
3	Depth of screw max. 5 mm

## Connection screen



U1	Blue	Z	brown	U2	black
----	------	---	-------	----	-------

## Charts: Air flow 50 Hz



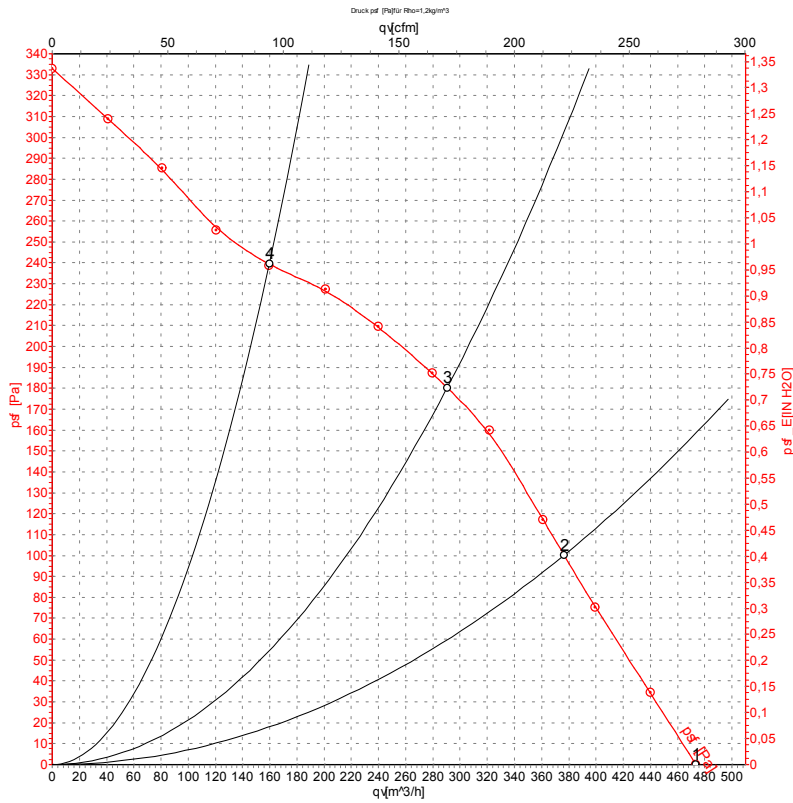
Measurement: LU-115602

Air performance measured as per ISO 5801 Installation Category A. For detailed information on the measuring set-up, please contact ebm-papst. Suction-side noise levels: LwA measured as per ISO 13347 / LpA measured with 1m distance to fan axis. The values given are valid under the measuring conditions mentioned above and may vary according to the actual installation situation. With any deviation from the standard set-up, the specific values have to be checked and reviewed with the unit installed.

## Measured values

	U	f	n	P <sub>1</sub>	I	qv	p <sub>sf</sub>
	V	Hz	min <sup>-1</sup>	W	A	m <sup>3</sup> /h	Pa
1	115	50	2600	55	0.50	435	0
2	115	50	2510	55	0.49	355	80
3	115	50	2525	54	0.48	275	150
4	115	50	2560	53	0.47	180	190

## Charts: Air flow 60 Hz



Measurement: LU-115600

Air performance measured as per ISO 5801 Installation Category A. For detailed information on the measuring set-up, please contact ebm-papst. Suction-side noise levels: L<sub>wA</sub> measured as per ISO 13347 / L<sub>pA</sub> measured with 1m distance to fan axis. The values given are valid under the measuring conditions mentioned above and may vary according to the actual installation situation. With any deviation from the standard set-up, the specific values have to be checked and reviewed with the unit installed.

## Measured values

	U	f	n	P <sub>1</sub>	I	qV	p <sub>sf</sub>
	V	Hz	min <sup>-1</sup>	W	A	m³/h	Pa
1	115	60	2785	70	0.61	475	0
2	115	60	2690	71	0.62	375	100
3	115	60	2730	70	0.61	290	180
4	115	60	2830	68	0.59	160	240