

K2E190-AB77-09

# AC centrifugal fan

backward curved

with housing (without flange)

**ASIA PACIFIC SHENGRUI LIMITED**

Phone +00852 56261528

info@apacfan.com

www.apacfan.com

## Nominal data

Type	K2E190-AB77-09		
Motor	M2E068-BF		
Phase		1~	1~
Nominal voltage	VAC	230	230
Frequency	Hz	50	60
Type of data definition		cu	cu
Valid for approval / standard		CE	CE
Speed	min <sup>-1</sup>	2500	2700
Power input	W	75	95
Current draw	A	0.34	0.42
Motor capacitor	μF	2	2
Capacitor voltage	VDB	450	450
Capacitor standard		P0 (CE)	P0 (CE)
Min. ambient temperature	°C	-25	-25
Max. ambient temperature	°C	50	55
Starting current	A	0.55	0.56

ml = Max. load · me = Max. efficiency · fa = Running at free air · cs = Customer specs · cu = Customer unit  
Subject to alterations



# AC centrifugal fan

backward curved  
with housing (without flange)

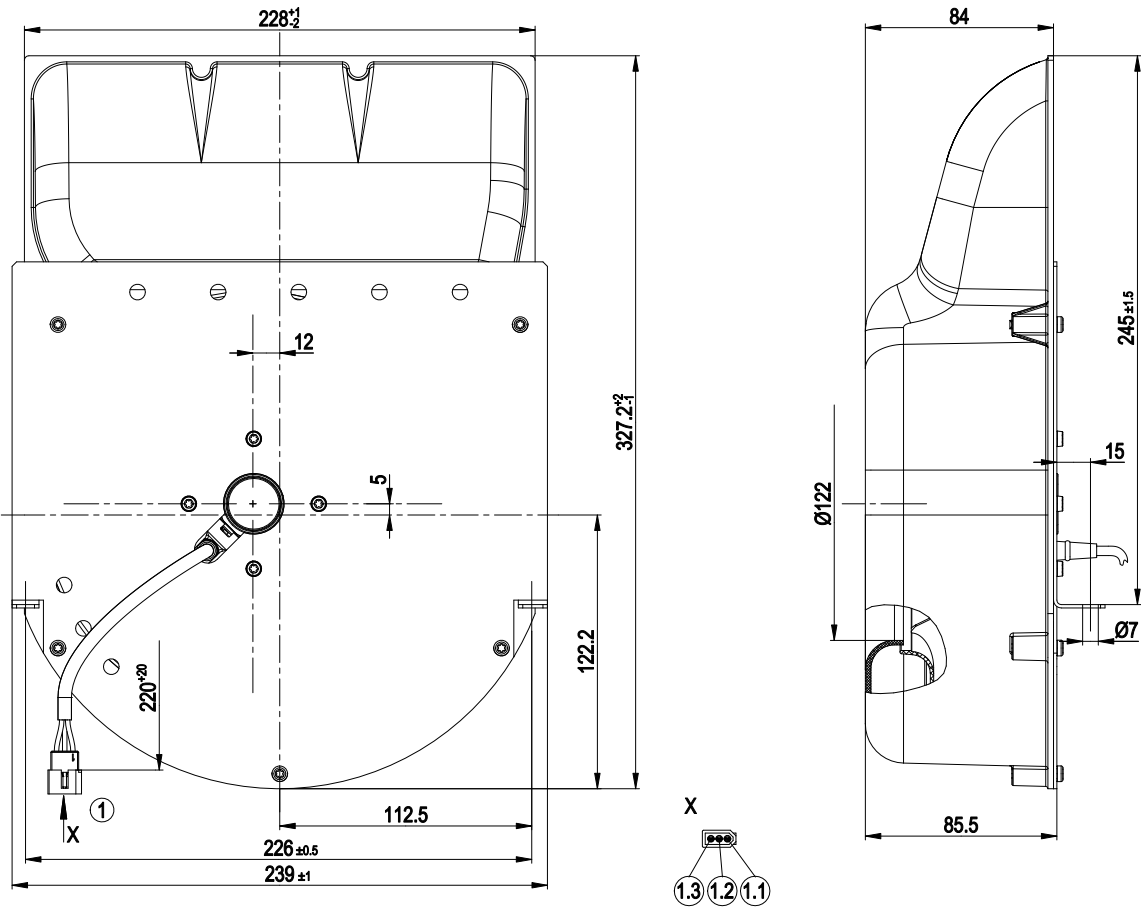
## Technical features

<b>Mass</b>	2.2 kg
<b>Size</b>	190 mm
<b>Surface of rotor</b>	Coated in black
<b>Material of impeller</b>	PA plastic
<b>Housing material</b>	PA plastic
<b>Number of blades</b>	7
<b>Direction of rotation</b>	Clockwise, seen on rotor
<b>Type of protection</b>	IP 44; Depending on installation and position as per EN 60034-5
<b>Insulation class</b>	"B"
<b>Humidity class</b>	F1-2
<b>Max. permissible ambient motor temp. (transp./ storage)</b>	+ 80 °C
<b>Min. permissible ambient motor temp. (transp./storage)</b>	- 40 °C
<b>Mounting position</b>	Shaft horizontal or rotor on bottom; rotor on top on request
<b>Condensate discharge holes</b>	Rotor-side
<b>Operation mode</b>	S1
<b>Motor bearing</b>	Ball bearing
<b>Touch current acc. IEC 60990 (measuring network Fig. 4, TN system)</b>	< 0.75 mA
<b>Motor protection</b>	Thermal overload protector (TOP) wired internally
<b>Cable exit</b>	Axial
<b>Protection class</b>	Built-in component with basic insulation, protection rating results from installation according to intended use, must not be touched once installed
<b>Product conforming to standard</b>	EN 60335-1; CE
<b>Approval</b>	CCC; UL 1004-1; CSA C22.2 Nr.100

# AC centrifugal fan

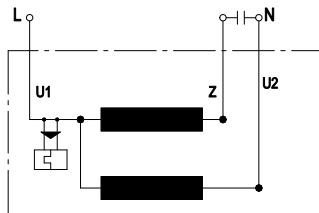
backward curved  
with housing (without flange)

## Product drawing



1	Connection line PVC 3X AWG20, Molex connector shell 03-06-2032 with 4x plug pin 02-06-2101
1.1	L (blue)
1.2	N (black)
1.3	Z (brown)

## Connection screen



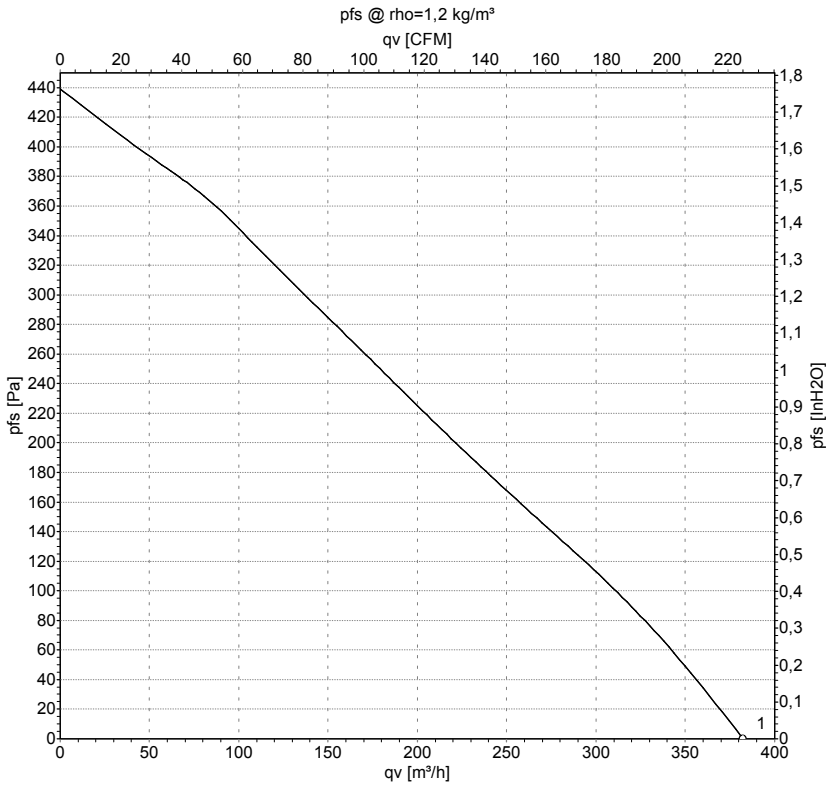
U1	Blue	Z	brown	U2	black
----	------	---	-------	----	-------



# AC centrifugal fan

backward curved  
with housing (without flange)

## Charts: Air flow 50 Hz



Measurement: LU-60928

Air performance measured as per ISO 5801 Installation category A. For detailed information on the measuring set-up, please contact ebm-papst. Suction-side noise levels: LwA measured as per ISO 13347 / LpA measured with 1m distance to fan axis. The values given are valid under the measuring conditions mentioned above and may vary according to the actual installation situation. With any deviation from the standard set-up, the specific values have to be checked and reviewed with the unit installed.

## Measured values

	U	f	n	P <sub>e</sub>	I	qv
	V	Hz	min <sup>-1</sup>	W	A	m³/h
1	230	50	2500	75	0.34	380

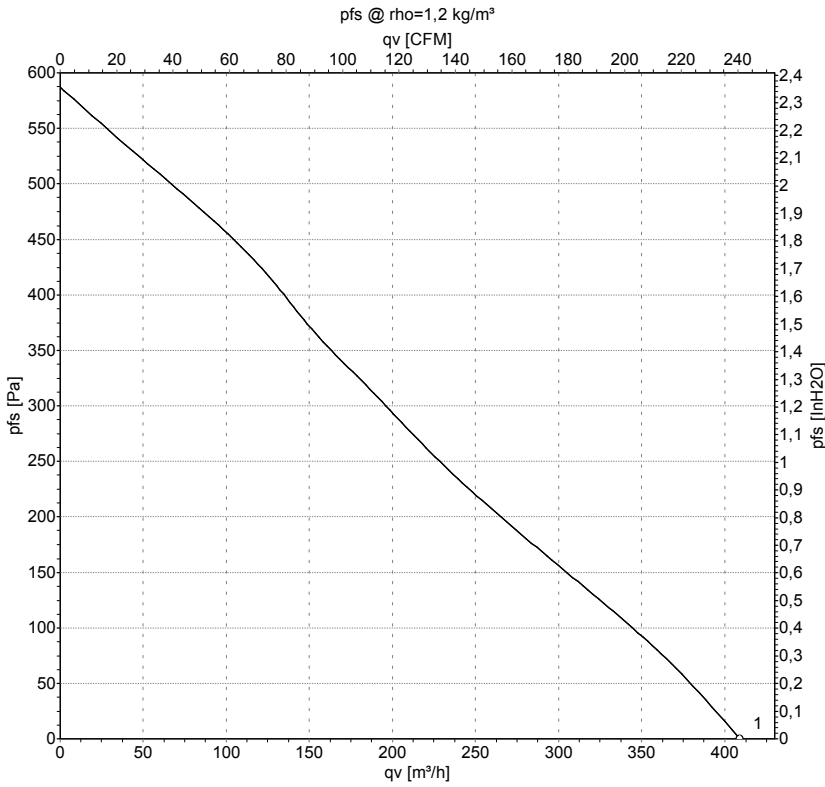
U = Supply voltage · f = Frequency · n = Speed · P<sub>e</sub> = Power input · I = Current draw · qv = Air flow



# AC centrifugal fan

backward curved  
with housing (without flange)

## Charts: Air flow 60 Hz



Measurement: LU-60929

Air performance measured as per ISO 5801 Installation category A. For detailed information on the measuring set-up, please contact ebm-papst. Suction-side noise levels: LwA measured as per ISO 13347 / LpA measured with 1m distance to fan axis. The values given are valid under the measuring conditions mentioned above and may vary according to the actual installation situation. With any deviation from the standard set-up, the specific values have to be checked and reviewed with the unit installed.

## Measured values

	U	f	n	P <sub>e</sub>	I	qv
	V	Hz	min <sup>-1</sup>	W	A	m <sup>3</sup> /h
1	230	60	2700	95	0.42	410

U = Supply voltage · f = Frequency · n = Speed · P<sub>e</sub> = Power input · I = Current draw · qv = Air flow

