

D3G146-8317078671

# EC centrifugal fan

forward-curved  
with housing (flange)

## ASIA PACIFIC SHENGRUI LIMITED

Phone +00852 56261528  
info@apacfan.com  
www.apacfan.com

### Nominal data

Type	D3G146-8317078671	
Motor	M3G055DF	
Phase		1~
Nominal voltage	VAC	220
Nominal voltage range	VAC	200 .. 240
Frequency	Hz	50/60
Method of obtaining data		ml
Speed (rpm)	min <sup>-1</sup>	2622
Power consumption	W	150
Current draw	A	1.3
Min. ambient temperature	°C	-25
Max. ambient temperature	°C	40

ml = Max. load · me = Max. efficiency · fa = Free air · cs = Customer specification · ce = Customer equipment  
Subject to change



# EC centrifugal fan

forward-curved  
with housing (flange)

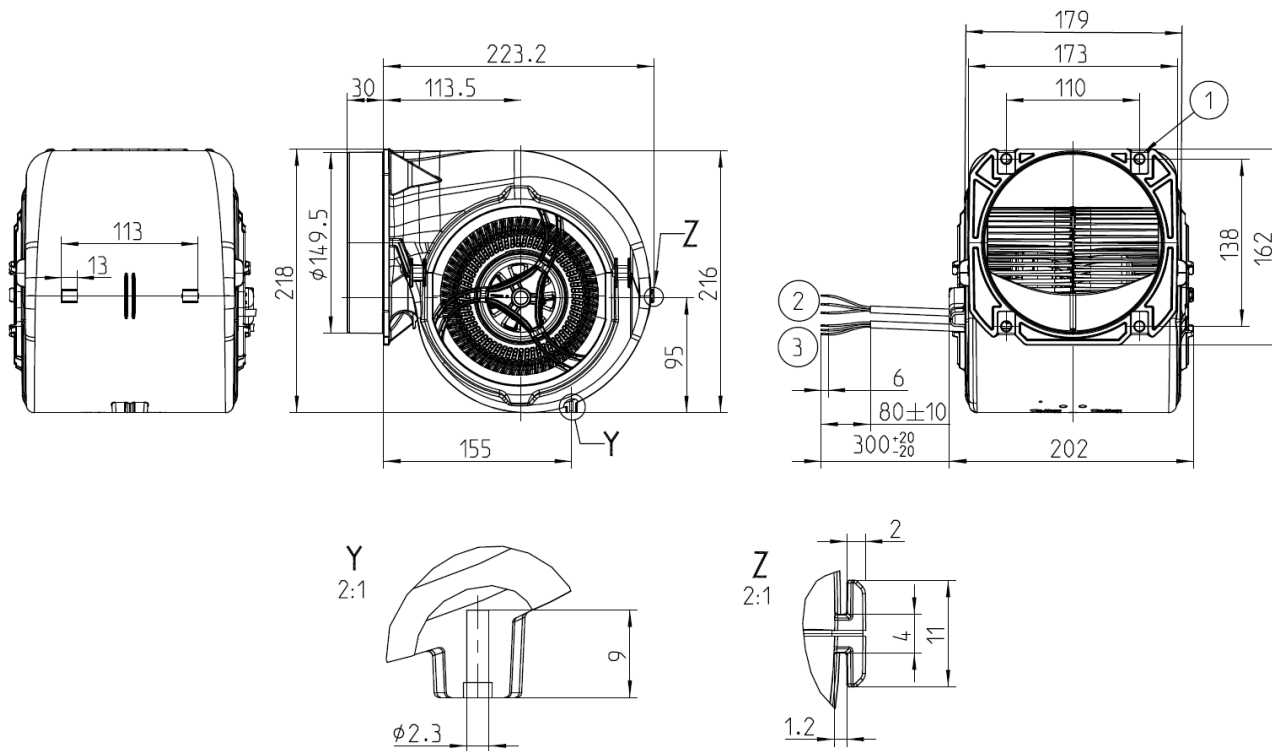
## Technical description

<b>Weight</b>	2.1 kg
<b>Fan size</b>	146 mm
<b>Rotor surface</b>	Thick-film passivated
<b>Electronics housing material</b>	Die-cast aluminum
<b>Impeller material</b>	Plastic
<b>Direction of rotation</b>	Anticlockwise, viewed toward rotor
<b>Degree of protection</b>	IP44
<b>Insulation class</b>	"B"
<b>Moisture (F) / Environmental (H) protection class</b>	H1
<b>Max. permitted ambient temp. for motor (transport/storage)</b>	+ 80 °C
<b>Min. permitted ambient temp. for motor (transport/storage)</b>	- 40 °C
<b>Installation position</b>	Any
<b>Condensation drainage holes</b>	On rotor side
<b>Mode</b>	S1
<b>Motor bearing</b>	Ball bearing
<b>Technical features</b>	<ul style="list-style-type: none"> <li>- Tach output</li> <li>- Motor current limit</li> <li>- Soft start</li> <li>- PWM control input</li> </ul>
<b>Touch current acc. IEC 60990 (measuring network Fig. 4, TN system)</b>	<= 3.5 mA
<b>Motor protection</b>	Locked-rotor protection
<b>Cable exit</b>	Variable
<b>Protection class</b>	I (if protective earth is connected by customer)
<b>Product conforming to standard</b>	GB12350
<b>Approval</b>	CCC;

# EC centrifugal fan

forward-curved  
with housing (flange)

## Product drawing

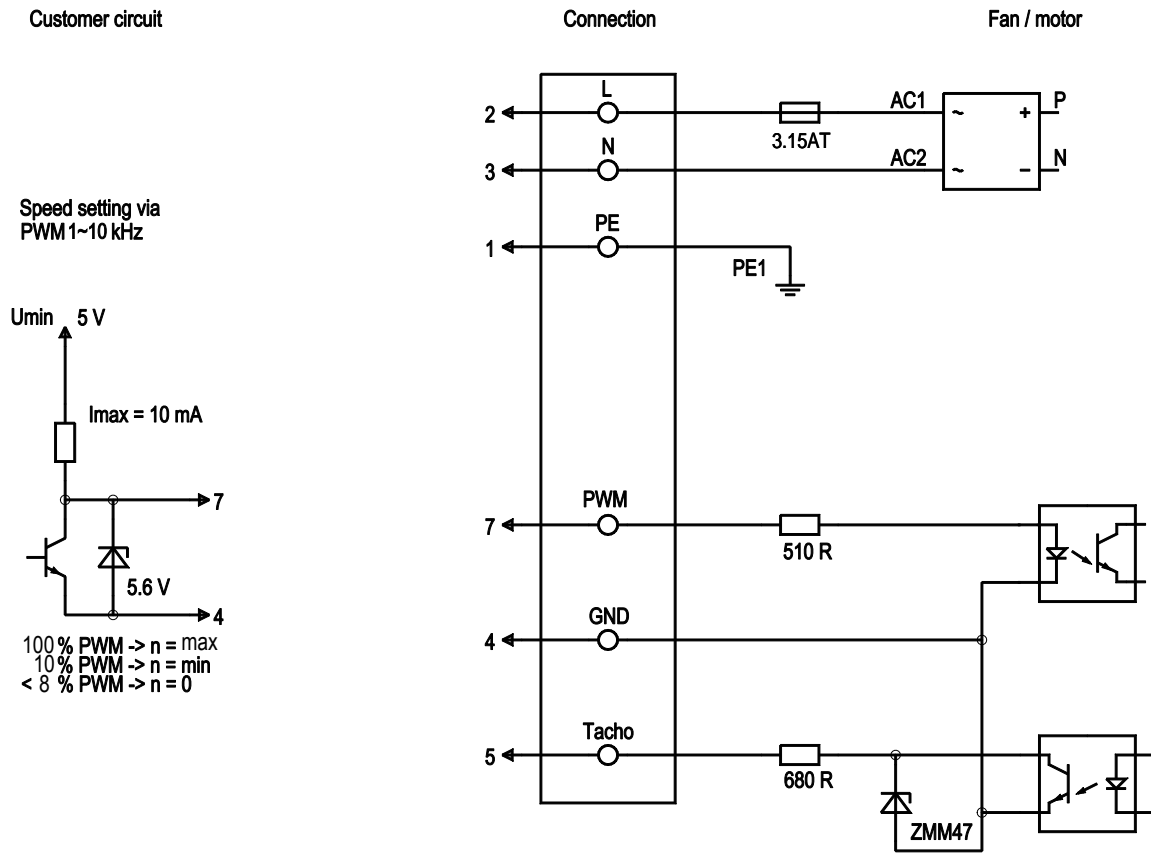


1	4x sheet metal nut for thread EN ISO 1478-ST4.8 (min. screw length 14.5 mm plus thickness of mounting material)
2	Cable PVC 3x 0.25 mm <sup>2</sup> , 3x tinning thread
3	Cable PVC 3x 0.5 mm <sup>2</sup> , 3x tinning thread

# EC centrifugal fan

forward-curved  
with housing (flange)

## Connection diagram



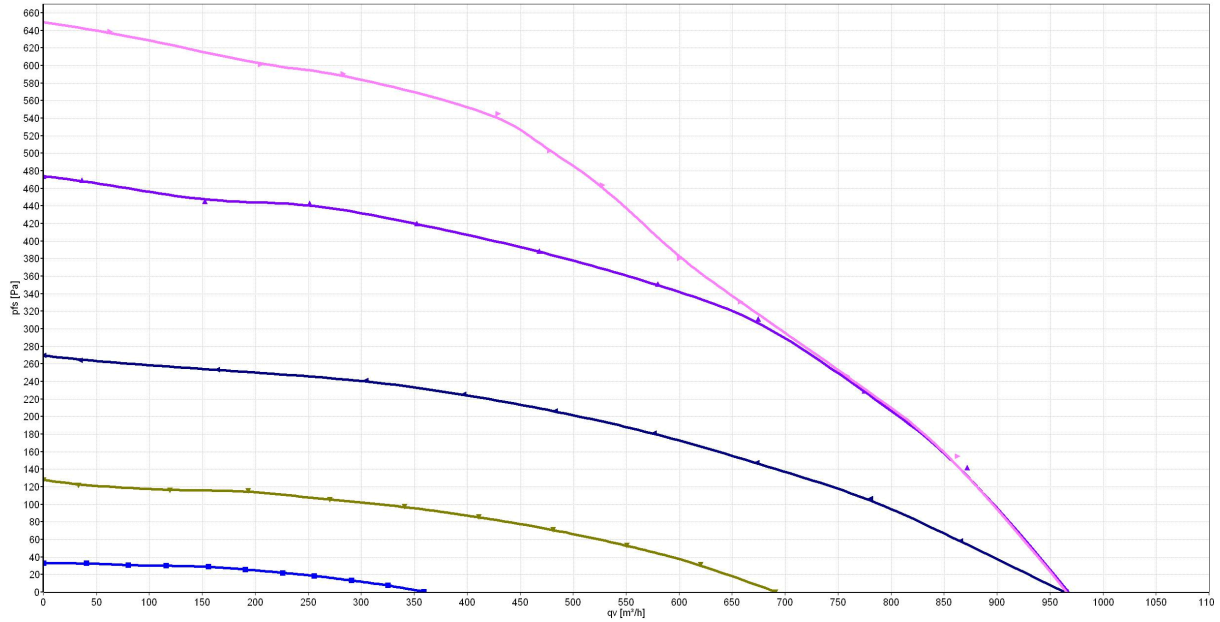
Line	No.	Signal	Colour	Function / assignment
	1	PE	green/yellow	Protective earth
	2	L	brown	Power supply 220 VAC, 50 - 60 Hz
	3	N	blue	Neutral conductor
	4	GND	blue	GND - Connection for control interface
	5	Tacho	white	Tach output: Open Collector, 1 pulse per revolution, electrically isolated
	7	PWM	yellow	PWM control input, electrically isolated

# EC centrifugal fan

forward-curved  
with housing (flange)

## Curves: Air performance 50 Hz

Kennlinie	Idno	Typ	Idx.	U [V]	f [Hz]	C [uF]	Ust [V]	Versch.	Inst. Kat.	Bemerkung
■	10351	D3G146-PLATFORM	33E	220	50			Y	A	20%PWM
▼	10351	D3G146-PLATFORM	33E	220	50			Y	A	40%PWM
◀	10351	D3G146-PLATFORM	33E	220	50			Y	A	60%PWM
▲	10351	D3G146-PLATFORM	33E	220	50			Y	A	80%PWM
▶	10351	D3G146-PLATFORM	33E	220	50			Y	A	100%PWM



$$\rho = 1.2 \text{ kg/m}^3 \pm 2 \%$$

Test ID:10351

Air performance measured according to ISO 5801 installation category A. For detailed information on the measurement setup, contact ebm-papst. Intake sound level: Sound power level according to ISO 13347 / sound pressure level measured at 1 m distance from fan axis. The values given are valid under the specified measuring conditions and may vary due to conditions of installation. For deviations from the standard configuration, the parameters have to be checked on the installed unit.

