

Max. 360 m³/h

DC axial fans

Ø 150 x 38 mm



- **Material:** Housing: Die-cast aluminum
Impeller: painted sheet steel
 - **Direction of air flow:** Exhaust over struts
 - **Direction of rotation:** Counterclockwise, looking towards rotor
 - **Connection:** Via single wires AWG 22, TR 64
 - **Highlights:** Housing with grounding lug for screw M4 x 8 (Torx)
 - **Weight:** 620 g
- **Possible special versions:** (See chapter DC fans - specials)
 - Speed signal
 - Go / NoGo alarm
 - Alarm with speed limit
 - External temperature sensor
 - Internal temperature sensor
 - PWM control input
 - Analog control input
 - Moisture protection
 - Salt spray protection
 - Degree of protection: IP 54 / IP 68

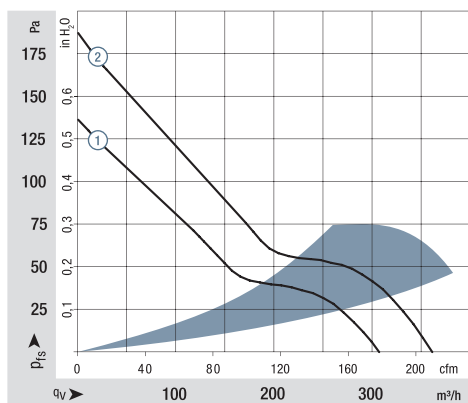
Series 7100 N

Nominal data

Type	Air flow m ³ /h	Air flow cfm	Nominal voltage VDC	Voltage range VDC	Sound pressure level dB(A)	Sound power level Bel(A)	Sinter sleeve bearings Ball bearings	Power consumption* Watts	Nominal speed rpm ⁻¹	Temperature range °C	Service life L ₁₀ (40 °C) ebm-papst standard Hours	Service life L ₁₀ (T _{max}) ebm-papst standard Hours	Life expectancy L ₁₀ (IPC (40 °C) see page 17 Hours	Curve
7112 N	308	181	12	6...15	53	6.2	■	12.0	2 850	-25...+72	80 000 / 37 500	135 000	①	
7114 N	308	181	24	12...30	53	6.2	■	12.0	2 850	-25...+72	80 000 / 37 500	135 000	①	
7114 NH	360	212	24	12...26.5	58	6.7	■	19.0	3 350	-25...+72	75 000 / 35 000	127 500	②	
7118 N	308	181	48	24...60	53	6.2	■	12.0	2 850	-25...+72	80 000 / 37 500	135 000	①	

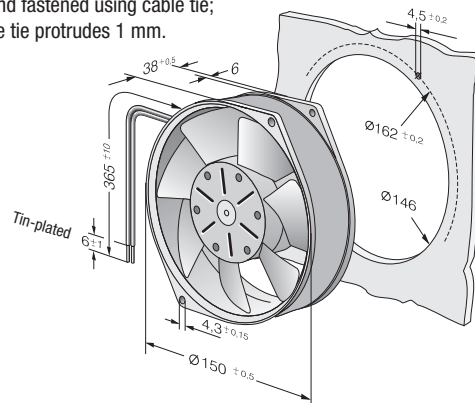
Subject to change

* Power consumption at free air flow. These values can be significantly higher in the operating point.



Air performance measured according to: ISO 5801.
Installation category A, without contact protection.
Noise: Total sound power level L_{WA} ISO 103002 measured on a hemisphere with a radius of 2 m.
Sound pressure level L_{pA} measured at 1 m distance from fan axis.
The values given are applicable only under the specified measuring conditions and may differ depending on the installation conditions.
In the event of deviation from the standard configuration, the parameters must be checked after installation!
For detailed information see <http://www.ebmpapst.com/general conditions>

Wire fastened with cable tie.
Strand fastened using cable tie;
cable tie protrudes 1 mm.



Mouser Electronics

Authorized Distributor

Click to View Pricing, Inventory, Delivery & Lifecycle Information:

[ebm-papst:](#)

[7112N](#) [7114N](#) [7114NH](#) [7118N](#) [7112N/2](#) [7114N/2](#) [7118N/2](#) [7118N/12](#) [7114NU](#) [7118NR-135](#)