

4606 Z

AC axial compact fan



ASIA PACIFIC SHENGRUI LIMITED

Phone +00852 56261528

info@apacfan.com

www.apacfan.com

Nominal data

| Type | 4606 Z | |
|--------------------------|-------------------|------|
| Phase | | 1~ |
| Nominal voltage | VAC | 115 |
| Frequency | Hz | 60 |
| Speed | min ⁻¹ | 3100 |
| Power input | W | 18.0 |
| Min. ambient temperature | °C | -40 |
| Max. ambient temperature | °C | 85 |
| Air flow | m ³ /h | 180 |
| Sound power level | B | 5.6 |
| Sound pressure level | dB(A) | 45 |

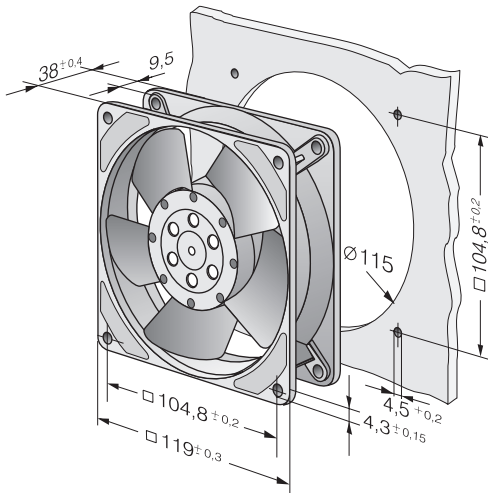
ml = Max. load · me = Max. efficiency · fa = Running at free air · cs = Customer specs · cu = Customer unit
Subject to alterations



Technical features

| | |
|--|--|
| Mass | 0.540 kg |
| Dimensions | 119 x 119 x 38 mm |
| Material of impeller | Sheet steel, coated in black |
| Housing material | Die-cast aluminium |
| Direction of air flow | Exhaust over struts |
| Direction of rotation | Right, looking at rotor |
| Bearing | Ball bearings |
| Lifetime L10 at 40 °C | 40000 h |
| Lifetime L10 at maximum temperature | 15000 h |
| Connection line | 2 flat connectors 2.8 x 0.5 mm. Housing with grounding lug for M4 x 8. |
| Motor protection | Protected from overload using impedance protection |
| Approval | VDE, CSA, UL, CE |
| Option | Available with electrical terminals on single strands that are 310 mm in length. |

Product drawing



Charts: Air flow

