

4184 NX

DC axial compact fan



ASIA PACIFIC SHENGRUI LIMITED

Phone +00852 56261528

info@apacfan.com

www.apacfan.com

Nominal data

Type	4184 NX	
Nominal voltage	VDC	24
Nominal voltage range	VDC	12 .. 31,5
Speed	min ⁻¹	3200
Power input	W	4.9
Min. ambient temperature	°C	-30
Max. ambient temperature	°C	70
Air flow	m ³ /h	180
Sound power level	B	5.7
Sound pressure level	dB(A)	49

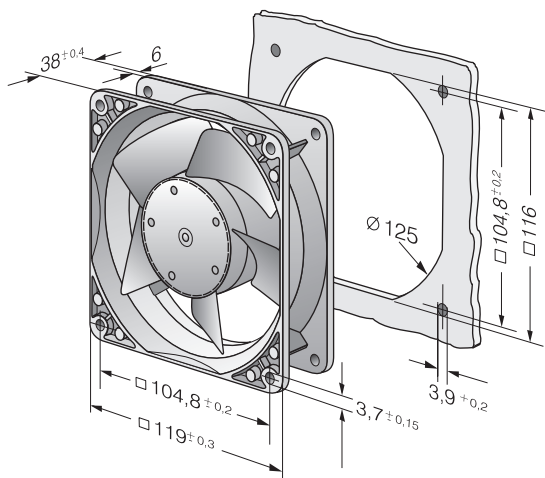
ml = Max. load · me = Max. efficiency · fa = Running at free air · cs = Customer specs · cu = Customer unit
Subject to alterations



Technical features

Impeller material	Fibreglass-reinforced plastic (PA)
Mass	0.390 kg
Dimensions	119 x 119 x 38 mm
Housing material	Die-cast aluminium
Direction of air flow	Inlet over bars
Direction of rotation	Clockwise, looking at rotor
Bearing	Ball bearings
Lifetime L10 at 40 °C	85000 h
Lifetime L10 at maximum temperature	42500 h
Connection line	Flat plugs 2.8 x 0.5 mm. Optionally also available with strands.
Motor protection	Protected against reverse polarity and locking.
Approval	VDE, CSA, UL
Option	Speed signal, alarm signal

Product drawing



Charts: Air flow

