

3414 NGHH

## DC axial compact fan



**ebm-papst St. Georgen GmbH & Co. KG**

ASIA PACIFIC

SHENGRUI LIMITED

Phone +00852 56261528

info@apacfan.com

www.apacfan.com

### Nominal data

Type	3414 NGHH	
Nominal voltage	VDC	24
Nominal voltage range	VDC	18 .. 26
Speed	min <sup>-1</sup>	3250
Power input	W	3.2
Min. ambient temperature	°C	-20
Max. ambient temperature	°C	70
Air flow	m <sup>3</sup> /h	102
Sound power level	B	5.1
Sound pressure level	dB(A)	39

ml = max. load · me = max. efficiency · rfa = running at free air · cs = customer specs · cu = customer unit  
Subject to alterations



**ebmpapst**

### Technical features

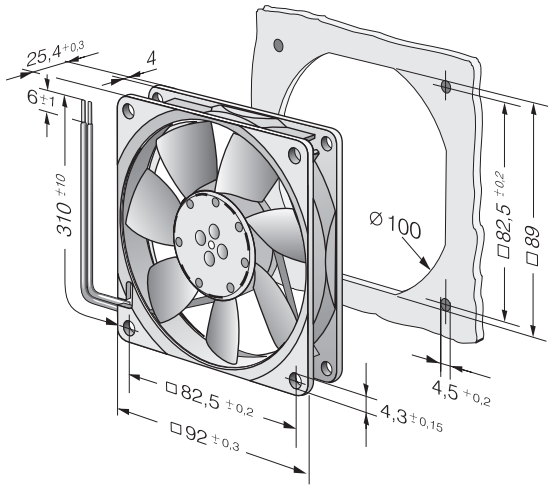
<b>Dimensions</b>	92 x 92 x 25 mm
<b>General description</b>	<p>Particular design features:</p> <p>Ball bearings and sleeve bearings available.</p> <p>Some models suitable for use at high ambient temperatures up to 85 °C.</p> <p>General features:</p> <p>Material: fibreglass-reinforced plastic. Impeller PA, housing PBT.</p> <p>Electronic commutation completely integrated.</p> <p>Protected against reverse polarity and locking.</p> <p>Connection via single strands AWG 24, TR 64, bared and tin-plated.</p> <p>Air exhaust over bars. Direction of rotation counter-clockwise seen on rotor.</p> <p>Mass: 100 g.</p>
<b>Connection line</b>	Single strands AWG 24, TR 64, bared and tin-plated.
<b>Direction of rotation</b>	Left, looking at rotor
<b>Direction of air flow</b>	Air exhaust over bars
<b>Bearing</b>	Sintec sleeve bearing
<b>Lifetime L10 at 40 °C</b>	70000 h
<b>Lifetime L10 at maximum temperature</b>	35000 h
<b>Mass</b>	0.100 kg
<b>Housing material</b>	Fiberglass-reinforced PBT plastic
<b>Material of impeller</b>	Fiberglass-reinforced PA plastic
<b>Motor protection</b>	Protected against reverse polarity and locking.
<b>Approval</b>	VDE, CSA, UL



3414 NGHH

# DC axial compact fan

## Product drawing



## Charts: Air flow

