

G2E120-AR77-01

AC centrifugal fan

forward curved, single inlet

with housing (flange)



ASIA PACIFIC SHENGRUI LIMITED

Phone +00852 56261528

info@apacfan.com

www.apacfan.com

Nominal data

Type	G2E120-AR77-01			
Motor	M2E068-BF			
Phase		1~	1~	1~
Nominal voltage	[V]	230	230	230
Frequency	[Hz]	50	60	60
Type of data definition		rfa	rfa	rfa
Valid for approval / standard		CE	UL 2111	CE
Speed	[min ⁻¹]	2350	2450	2450
Power input	[W]	80	105	100
Current draw	[A]	0.35	0.46	0.44
Motor capacitor	[μF]	2	2	2
Capacitor voltage	[VDB]	450	450	450
Min. back pressure	[Pa]	0	0	0
Max. ambient temperature	[°C]	45	60	55

ml = max. load · me = max. efficiency · rfa = running at free air · cs = customer specs · cu = customer unit
Subject to alterations

AC centrifugal fan

forward curved, single inlet
with housing (flange)

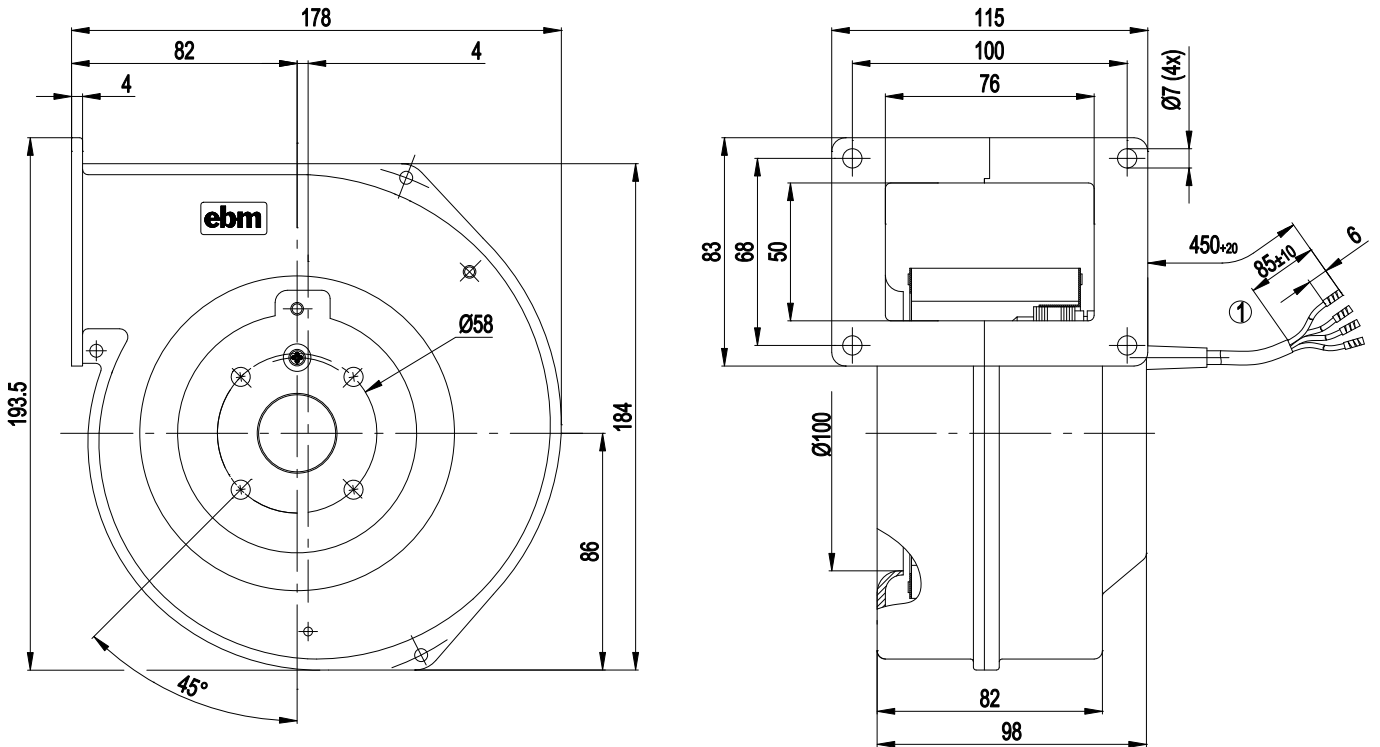
Technical features

Leakage current	< 0.75 mA
Size	120 mm
Operation mode	S1
Direction of rotation	Clockwise, seen on rotor
Mounting position	Shaft horizontal
Insulation class	"B"
Condensate discharge holes	None
Bearing motor	Ball bearing
Mass	1.97 kg
Housing material	Die-cast aluminum
Material of impeller	Sheet steel, hot-galvanised
Motor protection	Thermal overload protector (TOP) wired internally
Product conforming to standard	CE; EN 60335-1
Surface of rotor	Uncoated
Type of protection	IP 44; Depending on installation and position
Protection class	I
Max. permissible ambient motor temp. (transp./ storage)	+ 80 °C
Min. permissible ambient motor temp. (transp./storage)	- 40 °C
Approval	CCC

AC centrifugal fan

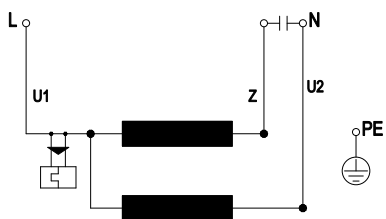
forward curved, single inlet
with housing (flange)

Product drawing



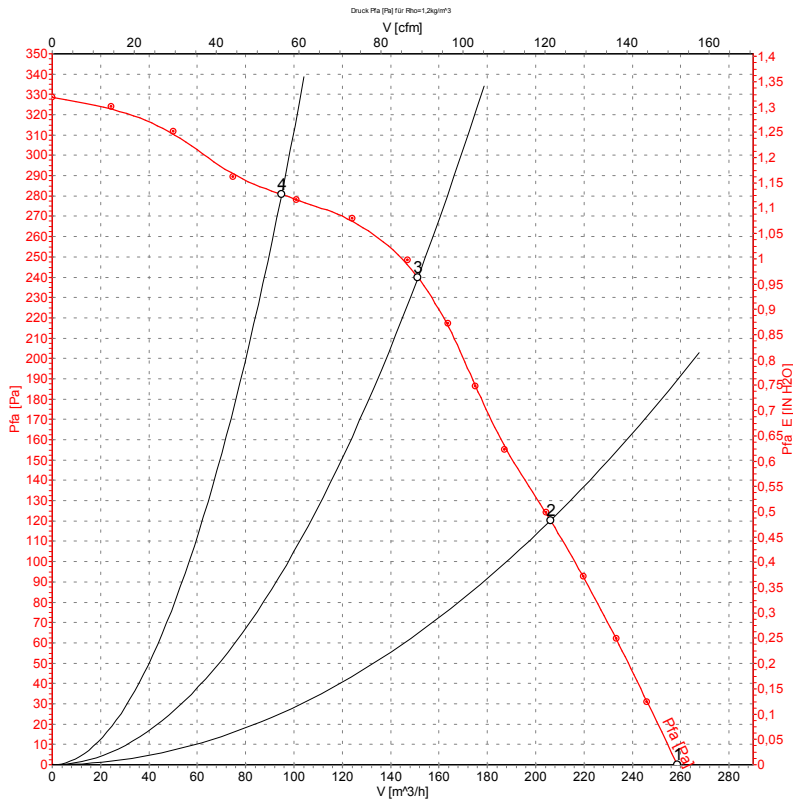
1 Connection line PVC, 4x brass lead tips crimped

Connection screen



U1	blue	Z	brown	U2	black
PE	green/yellow				

Charts: Air flow 50 Hz

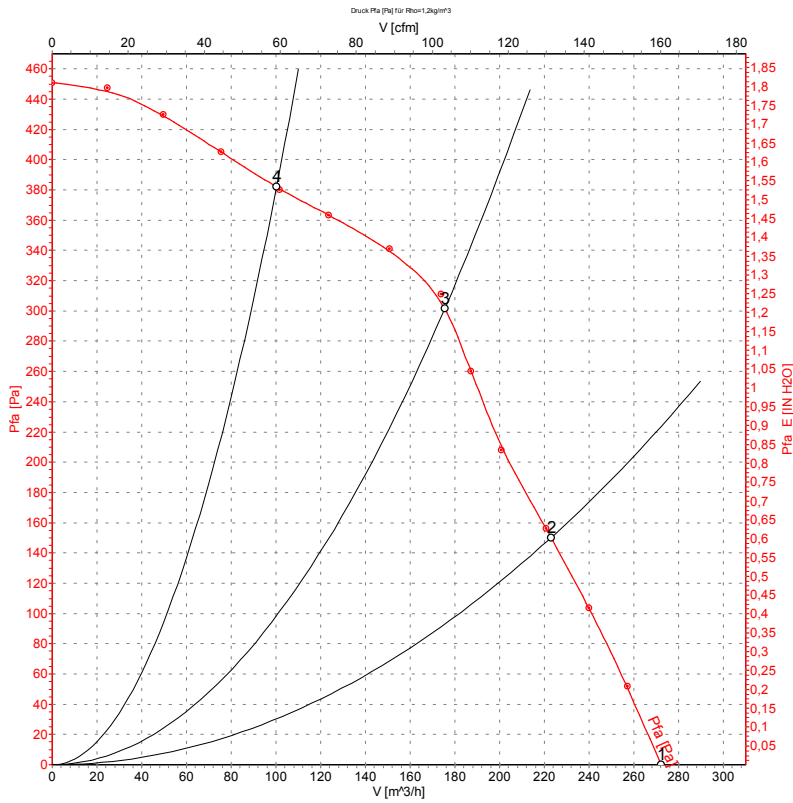


Measurement: LU-104578

Measured values

	U	f	n	P ₁	I	\hat{V}	P _{fa}
	[V]	[Hz]	[min ⁻¹]	[W]	[A]	[m³/h]	[Pa]
1	230	50	2350	80	0.35	260	0
2	230	50	2510	73	0.33	205	120
3	230	50	2640	69	0.32	150	240
4	230	50	2740	66	0.31	95	280

Charts: Air flow 60 Hz



Measured values

	U	f	n	P ₁	I	Ŷ	P _{fa}
	[V]	[Hz]	[min ⁻¹]	[W]	[A]	[m ³ /h]	[Pa]
1	230	60	2500	100	0.44	270	0
2	230	60	2770	92	0.40	225	150
3	230	60	2950	86	0.37	175	300
4	230	60	3180	77	0.34	100	380