

QG030-148/12

# DC tangential blower

forward-curved



**ASIA PACIFIC SHENGRUI LIMITED**

Phone +00852 56261528

info@apacfan.com

www.apacfan.com

## Nominal data

Type	QG030-148/12	
Nominal voltage	VDC	12
Nominal voltage range	VDC	8 .. 14
Power consumption	W	6.2
Min. ambient temperature	°C	-20
Max. ambient temperature	°C	60
Air flow	m <sup>3</sup> /h	75
Sound power level	B	5.7
Sound pressure level	dB(A)	49

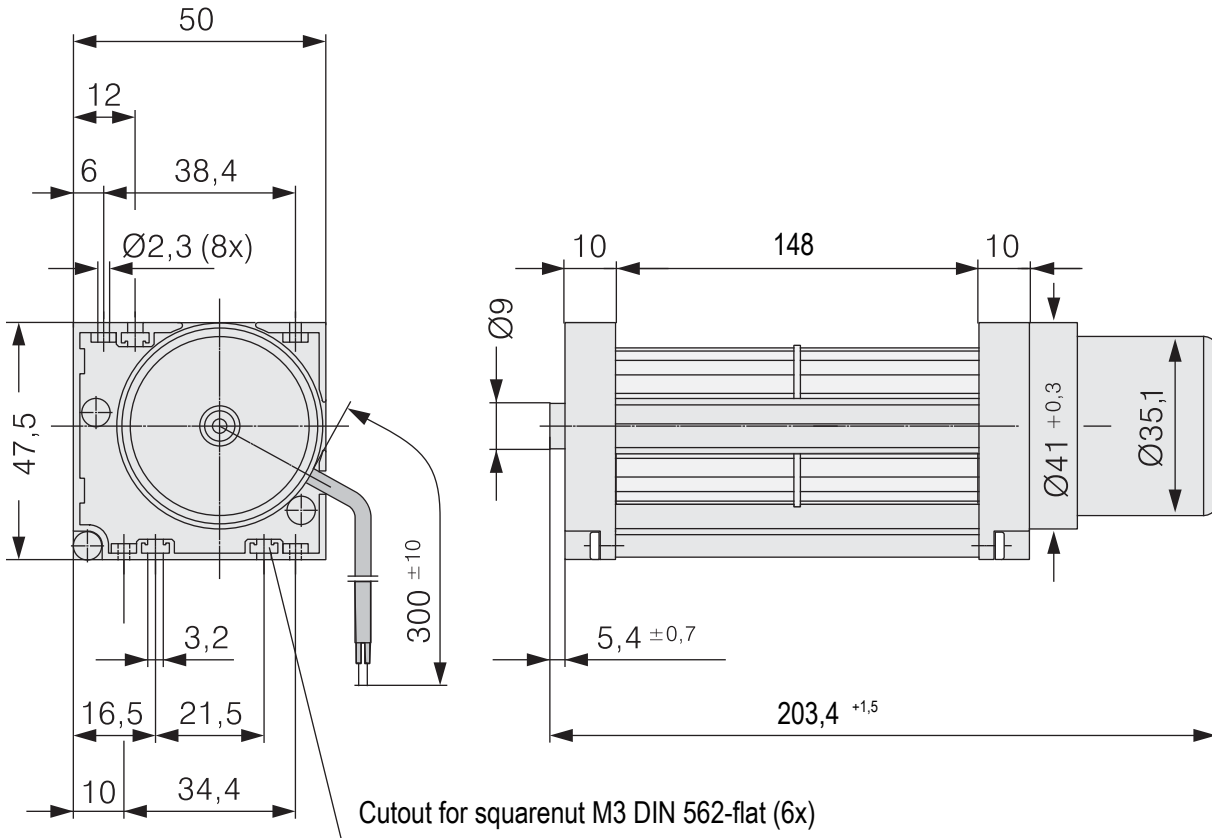
ml = Max. load · me = Max. efficiency · fa = Free air · cs = Customer specification · ce = Customer equipment  
Subject to change



**Technical description**

<b>Weight</b>	0.235 kg
<b>Impeller material</b>	Aluminum
<b>Housing material</b>	Aluminum, housing side parts made of plastic.
<b>Direction of rotation</b>	Clockwise, viewed toward rotor
<b>Storage</b>	Motor with ball bearing system. Impeller retaining plate with sleeve bearing.
<b>Service life L10 at 40 °C</b>	30000 h
<b>Service life L10 at maximum temperature</b>	20000 h
<b>Cable</b>	With leads AWG 24, TR 64
<b>Motor protection</b>	Protection against reverse polarity and blocked rotor.
<b>Locked-rotor protection</b>	Locked-rotor and overload protection
<b>Approval</b>	VDE, CSA, UL, CE

Product drawing



## Curves

