

R4D310-AS18-01

AC centrifugal fan

backward curved, single inlet



ASIA PACIFIC SHENGRUI LIMITED

Phone +00852 56261528

info@apacfan.com

www.apacfan.com

Nominal data

Type	R4D310-AS18-01				
Motor	M4D068-EC				
Phase		3~	3~	3~	3~
Nominal voltage	VAC	230	230	400	400
Connection		D	D	Y	Y
Frequency	Hz	50	60	50	60
Type of data definition		rfa	rfa	rfa	rfa
Valid for approval / standard		CE	CE	CE	CE
Speed	min ⁻¹	1400	1600	1400	1600
Power input	W	110	150	110	150
Current draw	A	0.55	0.52	0.32	0.3
Min. back pressure	Pa	0	0	0	0
Max. ambient temperature	°C	65	55	65	55

ml = max. load · me = max. efficiency · rfa = running at free air · cs = customer specs · cu = customer unit
Subject to alterations

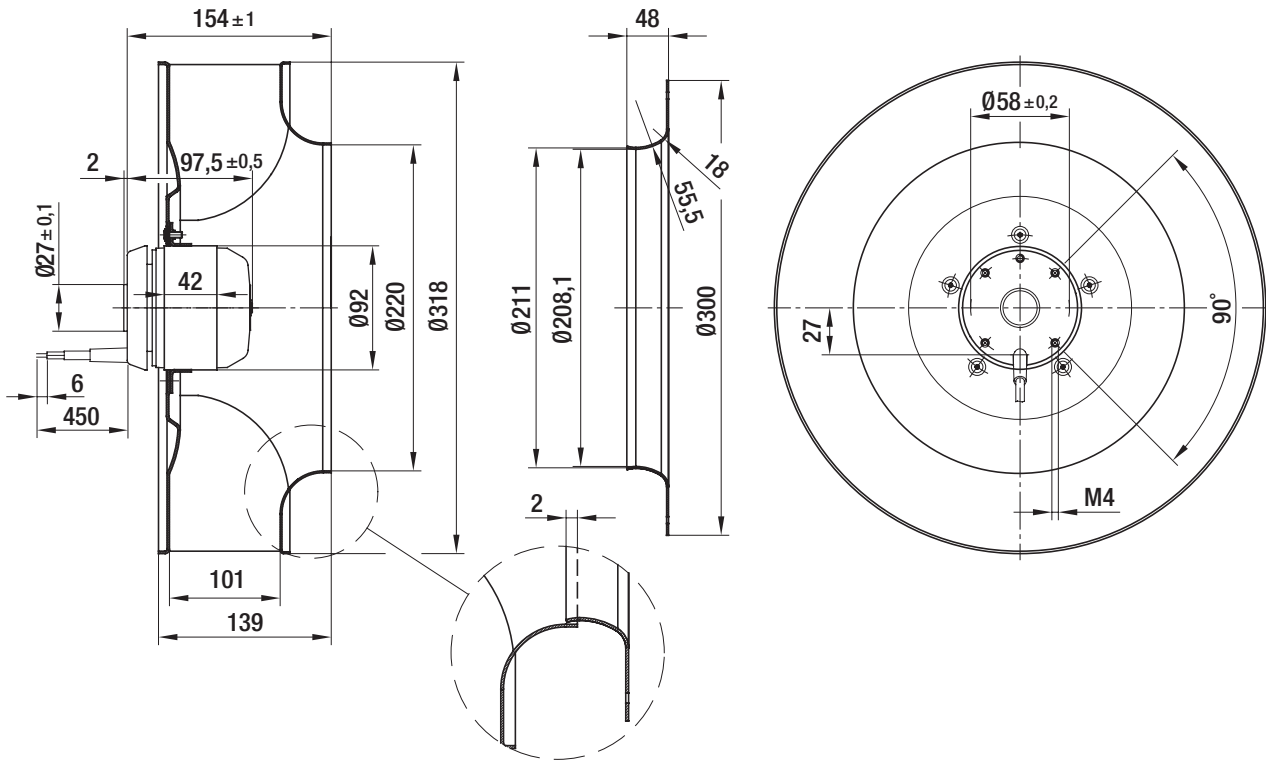
Technical features

Leakage current	< 0.75 mA
General description	3D impeller
Size	310 mm
Operation mode	Continuous operation (S1)
Direction of rotation	Clockwise, seen on rotor
Humidity class	F1-2
Insulation class	"B"
Cable exit	Axial
Motor bearing	Ball bearing
Mass	3.4 kg
Material of electronics housing	Rotor: Coated in black
Material of impeller	Aluminum sheet, laser-welded
Motor protection	Thermal overload protector (TOP) brought out
Product conforming to standard	CE
Number of blades	6
Type of protection	IP 44
Protection class	I
Approval	CCC

AC centrifugal fan

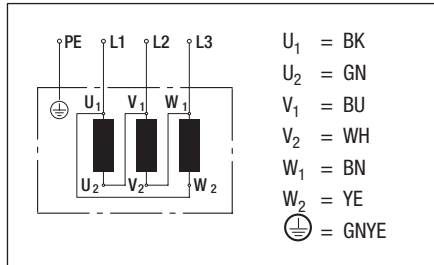
backward curved, single inlet

Product drawing

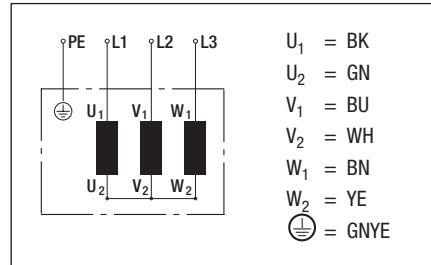


Connection screen

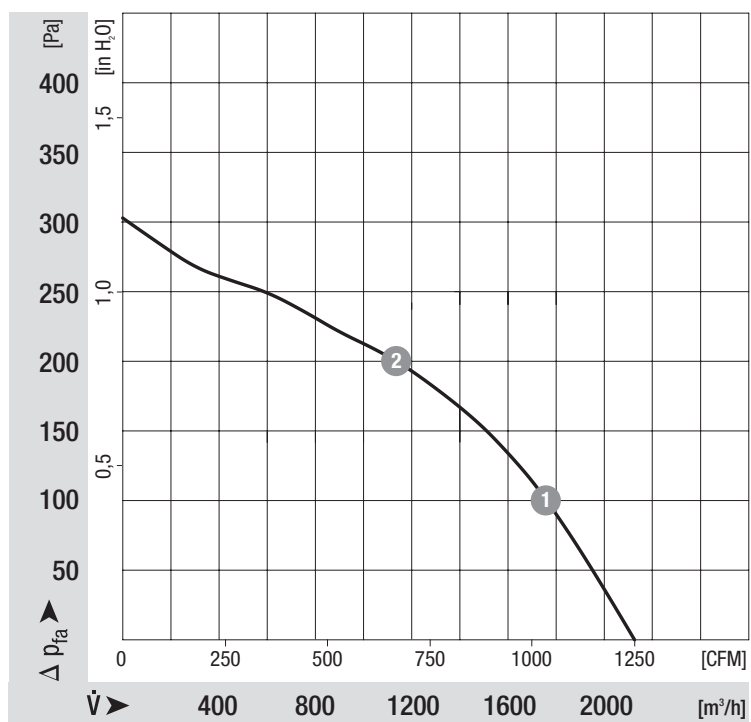
Delta (3~ 230 VAC)



Star (3~ 400 VAC)



Charts: Air flow 50 Hz



Measured values

	n	P _e	I
	min ⁻¹	W	A
1	1360	136	0.40
2	1350	141	0.41

Charts: Air flow 60 Hz

