

## ASIA PACIFIC SHENGRUI LIMITED

Phone +00852 56261528

info@apacfan.com

www.apacfan.com

## Nominal data

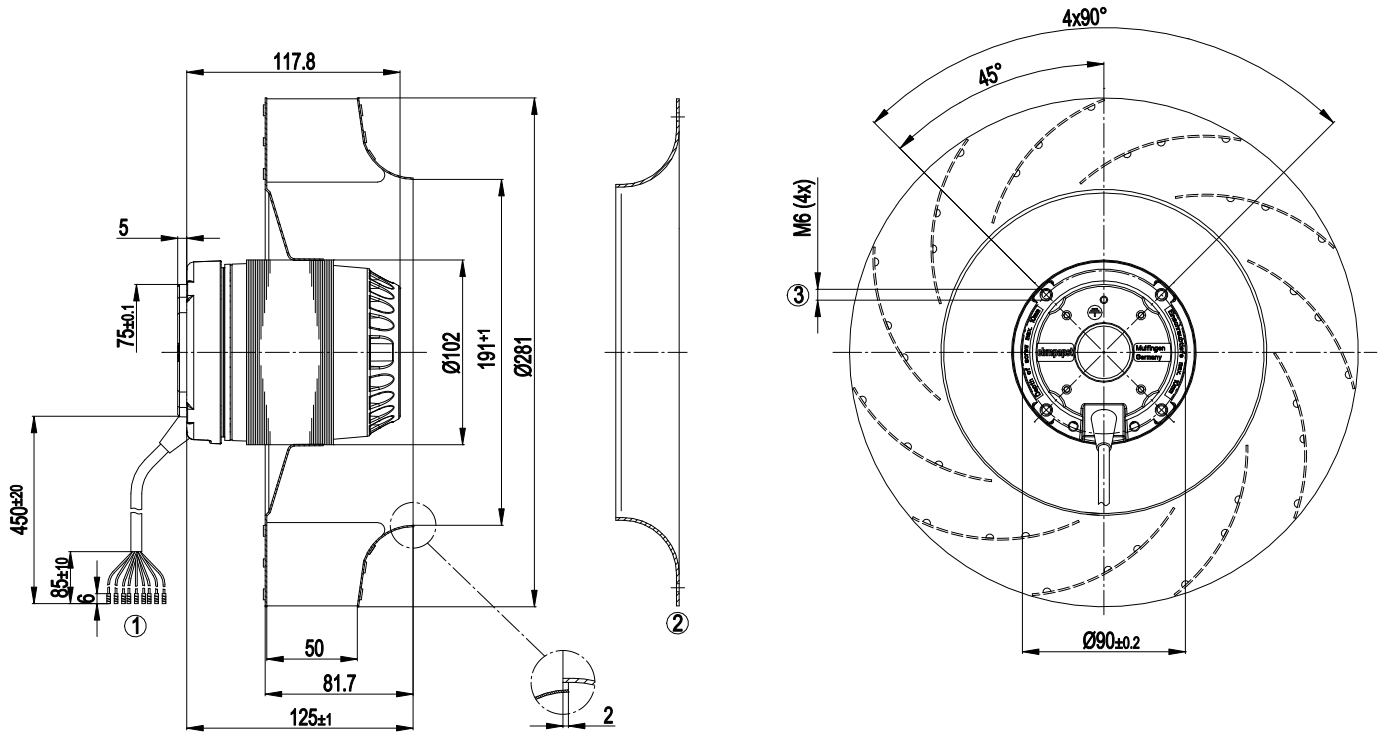
Type	R2D280-AF10-09		
Motor	M2D074-EI		
Phase		3~	3~
Nominal voltage	VAC	400	400
Wiring		Δ	Y
Frequency	Hz	50	50
Method of obtaining data		fa	fa
Valid for approval/standard		-	-
Speed (rpm)	min <sup>-1</sup>	2730	2200
Power consumption	W	210	160
Current draw	A	0.37	0.25
Min. back pressure	Pa	0	0
Min. back pressure	in. wg	0	0
Min. ambient temperature	°C	-25	-25
Max. ambient temperature	°C	80	70

ml = Max. load · me = Max. efficiency · fa = Free air · cs = Customer specification · ce = Customer equipment  
 Subject to change

## Technical description

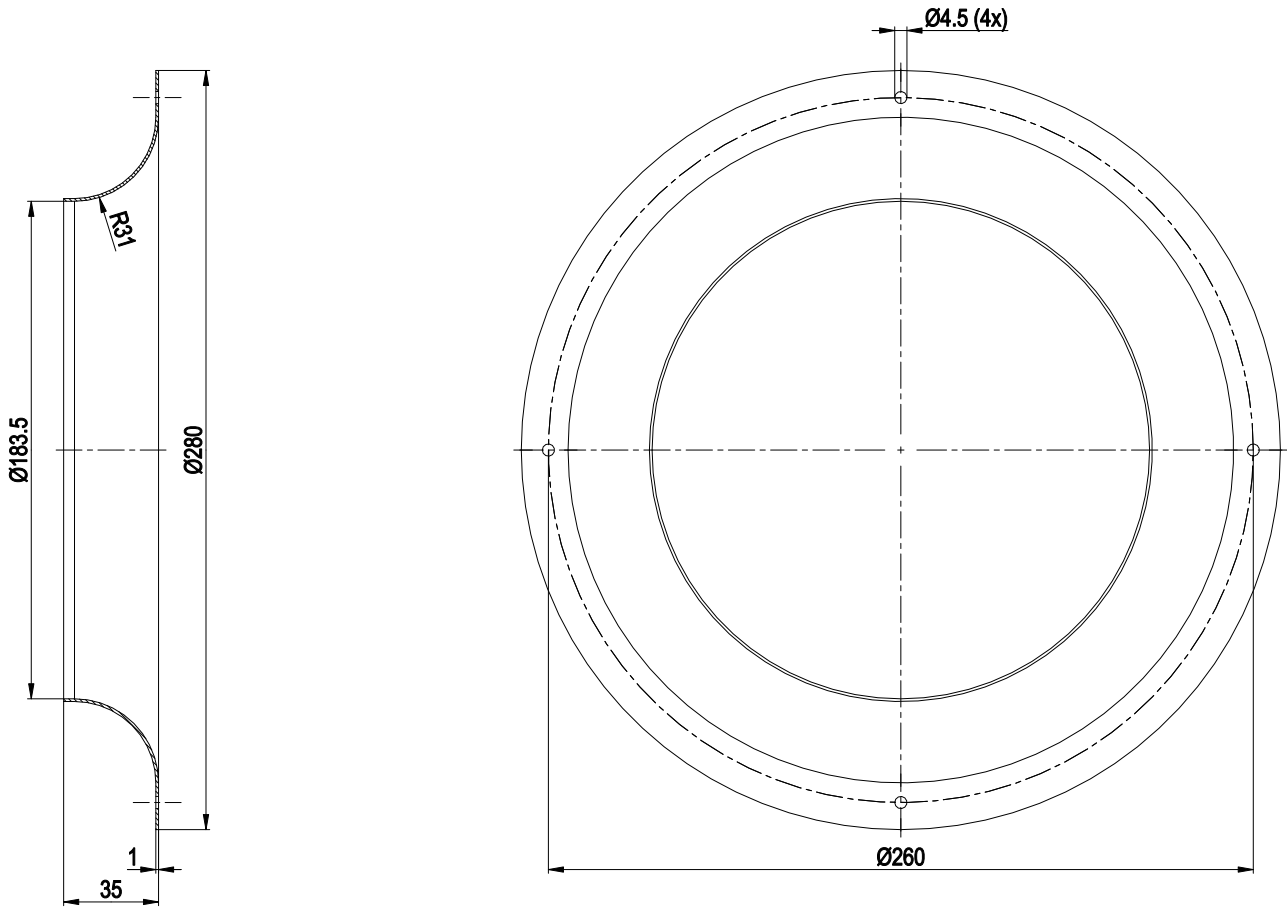
Weight	4.5 kg
Size	280 mm
Motor size	74
Rotor surface	Painted black
Impeller material	Sheet steel, hot-dip galvanized
Number of blades	11
Direction of rotation	Clockwise, viewed toward rotor
Degree of protection	IP44; installation- and position-dependent as per EN 60034-5
Insulation class	"F"
Moisture (F) / Environmental (H) protection class	H1+
Max. permitted ambient temp. for motor (transport/storage)	+ 80 °C
Min. permitted ambient temp. for motor (transport/storage)	- 40 °C
Installation position	Shaft horizontal or rotor on bottom; rotor on top on request
Condensation drainage holes	On rotor side
Mode	S1
Motor bearing	Ball bearing
Touch current according to IEC 60990 (measuring circuit Fig. 4, TN system)	< 0.75 mA
Motor protection	Thermal overload protector (TOP) with basic insulation
With cable	Variable
Protection class assignment	I; If a protective earth is connected by the customer This component for installation may have several local protection classes. This information relates to this component's basic design. The final protection class is based on the component's intended installation and connection.
Conformity with standards	EN 60335-1; EN 60034-1; EN 60204-1
Approval	CCC; EAC

Product drawing



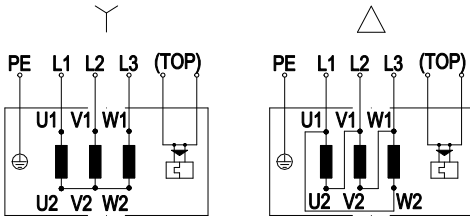
1	Cable halogen and silicone-free 9G 0.5 mm <sup>2</sup> , 9 x crimped splices
2	Accessory part: inlet ring 96360-2-4013 not included in scope of delivery
3	Max. clearance for screw 10 mm

Accessory part



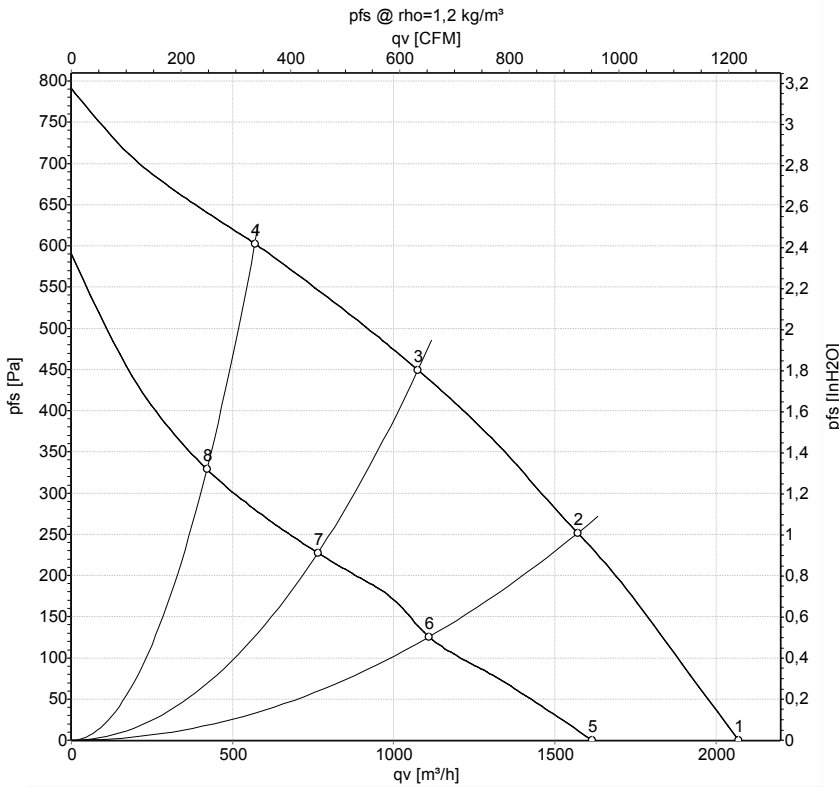
Inlet ring 96360-2-4013

## Connection diagram



Y	Star connection	Δ	Delta connection	L1	= U1 = black
U2	green	L2	= V1 = blue	V2	white
L3	= W1 = brown	W2	yellow	TOP	2x gray
PE	green/yellow				

## Curves: Air performance 50 Hz



Measurement: LU-118555-1  
Measurement: LU-163501-1

Air performance measured according to ISO 5801 installation category A. For detailed information on the measurement setup, contact ebm-papst. Intake sound level: Sound power level according to ISO 13347 / sound pressure level measured at 1 m distance from fan axis. The values given are valid under the specified measuring conditions and may vary due to conditions of installation. For deviations from the standard configuration, the parameters have to be checked on the installed unit.

## Measured values

	Wired	U	f	n	P <sub>e</sub>	I	LpA <sub>in</sub>	LwA <sub>in</sub>	q <sub>v</sub>	P <sub>fs</sub>	q <sub>v</sub>	P <sub>fs</sub>
		V	Hz	min <sup>-1</sup>	W	A	dB(A)	dB(A)	m <sup>3</sup> /h	Pa	cfm	in. wg
1	Δ	400	50	2730	210	0.37			2070	0	1220	0.00
2	Δ	400	50	2590	300	0.50			1570	250	925	1.00
3	Δ	400	50	2520	335	0.56			1075	450	635	1.81
4	Δ	400	50	2605	287	0.49			570	600	335	2.41
5	Y	400	50	2200	160	0.25	70	77	1615	0	950	0.00
6	Y	400	50	1830	192	0.30	61	68	1110	124	655	0.50
7	Y	400	50	1790	195	0.30	60	67	765	227	450	0.91
8	Y	400	50	1910	181	0.28	62	70	420	328	250	1.32

Wired = Wiring · U = Voltage · f = Frequency · n = Speed (rpm) · P<sub>e</sub> = Power consumption · I = Current draw · LpA<sub>in</sub> = Sound pressure level intake side · LwA<sub>in</sub> = Sound power level intake side  
q<sub>v</sub> = Air flow · P<sub>fs</sub> = Pressure increase