

7056 ES

# AC axial compact fan



**ASIA PACIFIC SHENGRUI LIMITED**

Phone +00852 56261528

info@apacfan.com

www.apacfan.com

## Nominal data

Type	7056 ES	
Phase		1~
Nominal voltage	VAC	230
Frequency	Hz	50
Speed (rpm)	min <sup>-1</sup>	2800
Power consumption	W	27.0
Min. ambient temperature	°C	-25
Max. ambient temperature	°C	65
Air flow	m <sup>3</sup> /h	320
Sound power level	B	6.4
Sound pressure level	dB(A)	51

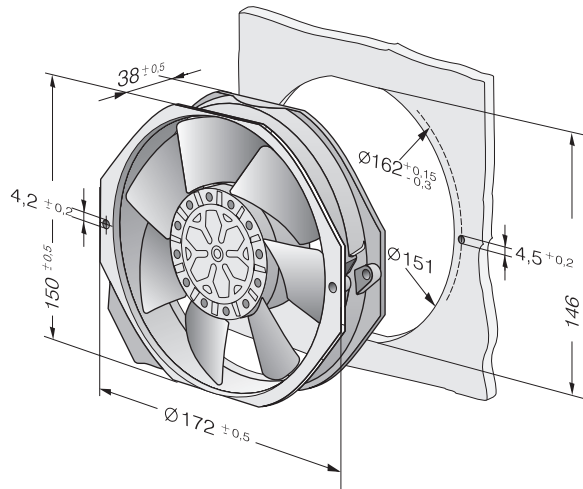
ml = Max. load · me = Max. efficiency · fa = Free air · cs = Customer specification · ce = Customer equipment  
Subject to change



**Technical description**

<b>Weight</b>	0.900 kg
<b>Dimensions</b>	150 x 172 x 38 mm
<b>Impeller material</b>	Sheet steel, painted black
<b>Housing material</b>	Die-cast aluminum
<b>Airflow direction</b>	Exhaust over struts
<b>Direction of rotation</b>	Counterclockwise, viewed toward rotor
<b>Storage</b>	Ball bearing
<b>Service life L10 at 40 °C</b>	60000 h
<b>Service life L10 at maximum temperature</b>	32000 h
<b>Cable</b>	2 flat plugs 2.8 x 0.5 mm. Housing with grounding lug for M4 x 6.
<b>Motor protection</b>	Protected from overload by thermal switch
<b>Approval</b>	VDE, CSA, UL, CE

## Product drawing



## Curves: Air performance

