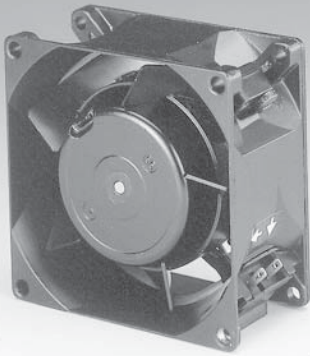


# 8000V Series

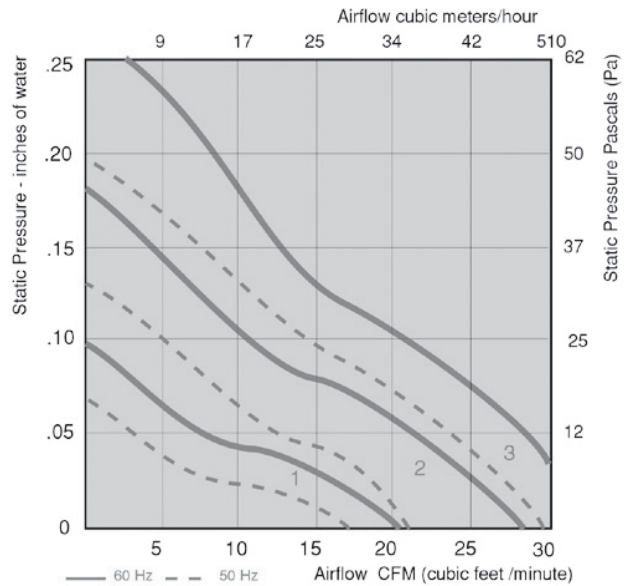
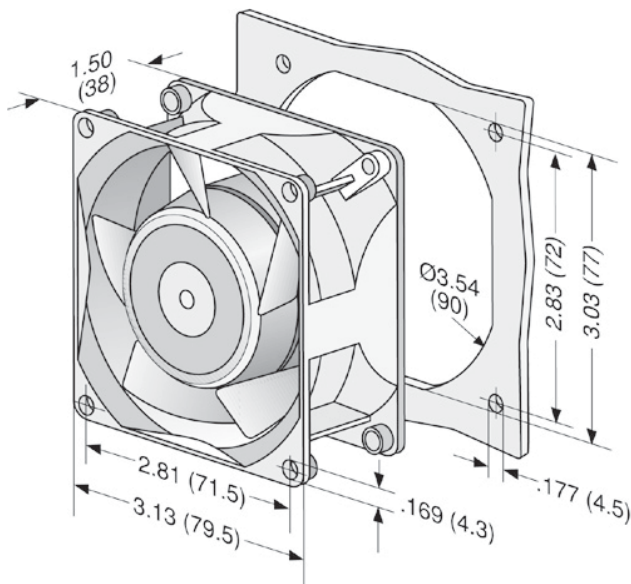
Tubeaxial

80x80x38mm



- AC fans with external rotor shaded-pole motor. Impedance protected against overloading.
- Metal fan housing and impeller.
- Air exhaust over struts. Rotational direction CW looking at rotor.
- Mounting from either face using four 4.3 mm holes.
- Electrical connection via 2 leads. Stripped and tinned ends.
- Fan housing with ground lug and screw M 4 x 8 (TORX).
- UL, CSA, VDE approvals on some models, please contact application engineering.

Part Number	Curve	CFM @ 0	VAC	Hertz	Power (W)	dBA	Max Amb. Temp C	Bearing Type	Features	Wgt. (lbs)
8830V	1	21	115	50/60	8	21	80	Sintec	Terminals	1.06
8800V	2	28	115	50/60	11	28	70	Sintec	Terminals	1.06
8500V	3	36	115	50/60	11	34	75	Sintec	Terminals	1.06
8506V	3	36	115	50/60	11	35	95	Ball	Terminals	1.06
8880V	1	21	230	50/60	8	21	80	Sintec	Terminals	1.06
8850V	2	28	230	50/60	11	28	70	Sintec	Terminals	1.06
8550V	3	36	230	50/60	11	34	75	Sintec	Terminals	1.06
8556V	3	36	230	50/60	11	35	95	Ball	Terminals	1.06
8560VV	3	36	115/230	50/60	11	34	70	Sintec	Leads	1.06



**ebmpapst**

ASIA PACIFIC SHENGRUI LIMITED

Phone +00852 56261528

info@apacfan.com

www.apacfan.com