

W2D270-EB34-02

AC axial fan

sickled blades (S series), single inlet

Wall ring with guard grille



ASIA PACIFIC SHENGRUI LIMITED

Phone +00852 56261528

info@apacfan.com

www.apacfan.com

Nominal data

Type	W2D270-EB34-02		
Motor	M2D068-DC		
Phase		3~	3~
Nominal voltage	VAC	400	400
Connection		Y	Y
Frequency	Hz	50	60
Type of data definition		cu	cu
Valid for approval / standard		-	-
Speed	min ⁻¹	2300	2350
Power input	W	140	190
Current draw	A	0.23	0.29
Min. ambient temperature	°C	-25	-25
Max. ambient temperature	°C	85	65
Starting current	A	0.55	0.52

ml = Max. load · me = Max. efficiency · fa = Running at free air · cs = Customer specs · cu = Customer unit
Subject to alterations



AC axial fan

sickled blades (S series), single inlet

Wall ring with guard grille

Technical features

Mass	6 kg
Size	270 mm
Surface of rotor	Coated in black
Material of impeller	Sheet steel, coated in black
Material of wall ring	Die-cast aluminium
Material of guard grille	Die-cast aluminium
Number of blades	7
Direction of air flow	"V"
Type of protection	IP 55
Insulation class	"F"
Humidity class	F2-2
Max. permissible ambient motor temp. (transp./ storage)	+ 80 °C
Min. permissible ambient motor temp. (transp./storage)	- 40 °C
Mounting position	Any
Condensate discharge holes	None
Operation mode	S1
Motor bearing	Ball bearing
Touch current acc. IEC 60990 (measuring network Fig. 4, TN system)	< 0.75 mA
Cable exit	Lateral
Protection class	I (if protective earth is connected by customer)
Approval	UL 1004-1; CSA C22.2 Nr.100

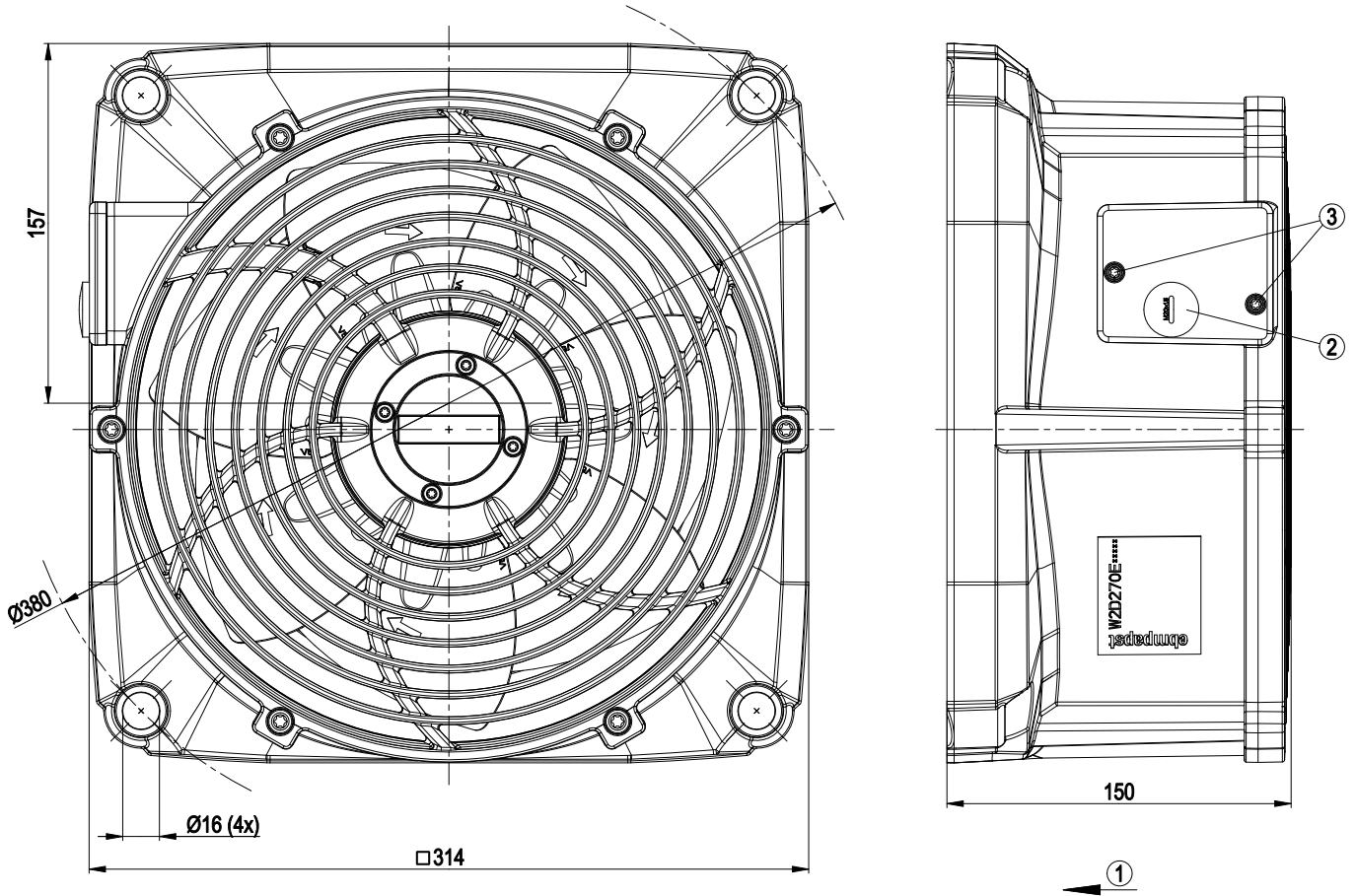
W2D270-EB34-02

AC axial fan

sickled blades (S series), single inlet

Wall ring with guard grille

Product drawing



- | | |
|---|------------------------------------|
| 1 | Direction of airflow "V" |
| 2 | Tightening torque 0.5 ± 0.1 Nm |

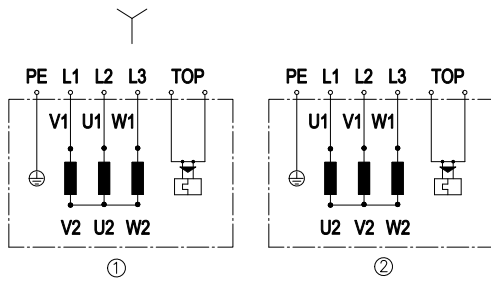


AC axial fan

sickled blades (S series), single inlet

Wall ring with guard grille

Connection screen



Change direction of rotation by reversing two phases

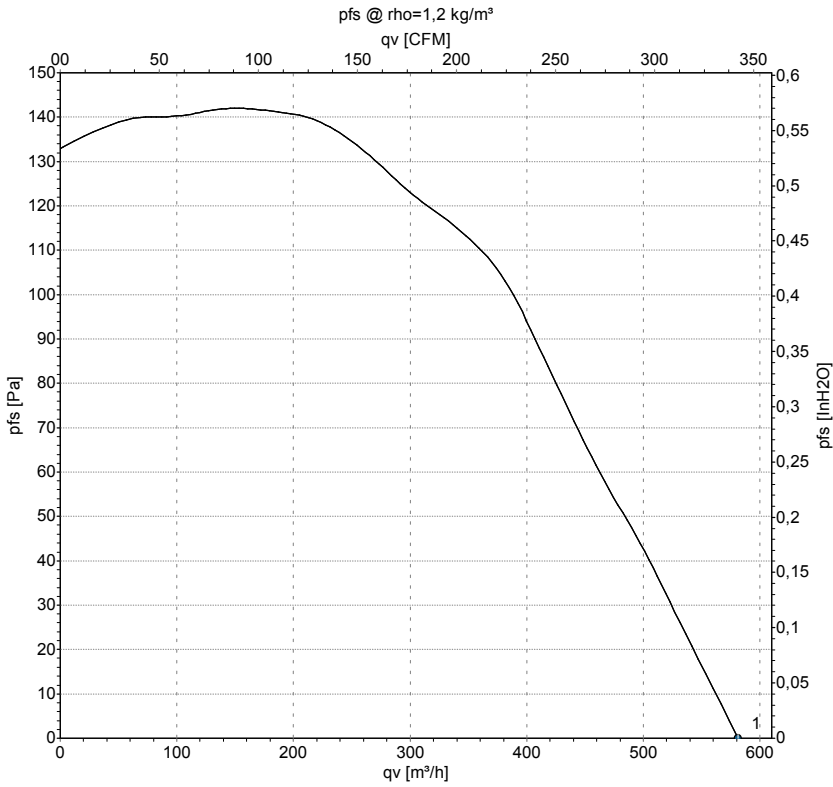
	Three-phase motor
Y	Star connection
1	Anti-clockwise operation
L1	= V1 = blue
L2	= U1 = black
L3	= W1 = brown
2	Clockwise operation
L1	= U1 = black
L2	= V1 = blue
L3	= W1 = brown
PE	green/yellow
TOP	2x grey

AC axial fan

sickled blades (S series), single inlet

Wall ring with guard grille

Charts: Air flow 50 Hz



Measurement: LU-120713

Air performance measured as per ISO 5801 Installation category A. For detailed information on the measuring set-up, please contact ebm-papst. Suction-side noise levels: LwA measured as per ISO 13347 / LpA measured with 1m distance to fan axis. The values given are valid under the measuring conditions mentioned above and may vary according to the actual installation situation. With any deviation from the standard set-up, the specific values have to be checked and reviewed with the unit installed.

Measured values

	U	f	n	P _e	I	qv
	V	Hz	min ⁻¹	W	A	m ³ /h
1	400	50	2300	140	0.23	580

U = Supply voltage · f = Frequency · n = Speed · P_e = Power input · I = Current draw · qv = Air flow

