

ASIA PACIFIC SHENGRUI LIMITED

Phone +00852 56261528

info@apacfan.com

www.apacfan.com

Nominal data

Type	M4Q045-BD01-01		
Motor	M4Q045-BD		
Phase		1~	1~
Nominal voltage	VAC	230	230
Frequency	Hz	50	60
Type of data definition		me	me
Valid for approval / standard		CE	CE
Speed (rpm)	min ⁻¹	1300	1550
Power input	W	29	26
Power output	W	5	5
Current draw	A	0.19	0.17
Rated torque	Ncm	3	3
Medium start-up torque	Ncm	2.2	1.7
Min. ambient temperature	°C	-30	-30
Max. ambient temperature	°C	40	40
Starting current	A	0.25	0.22

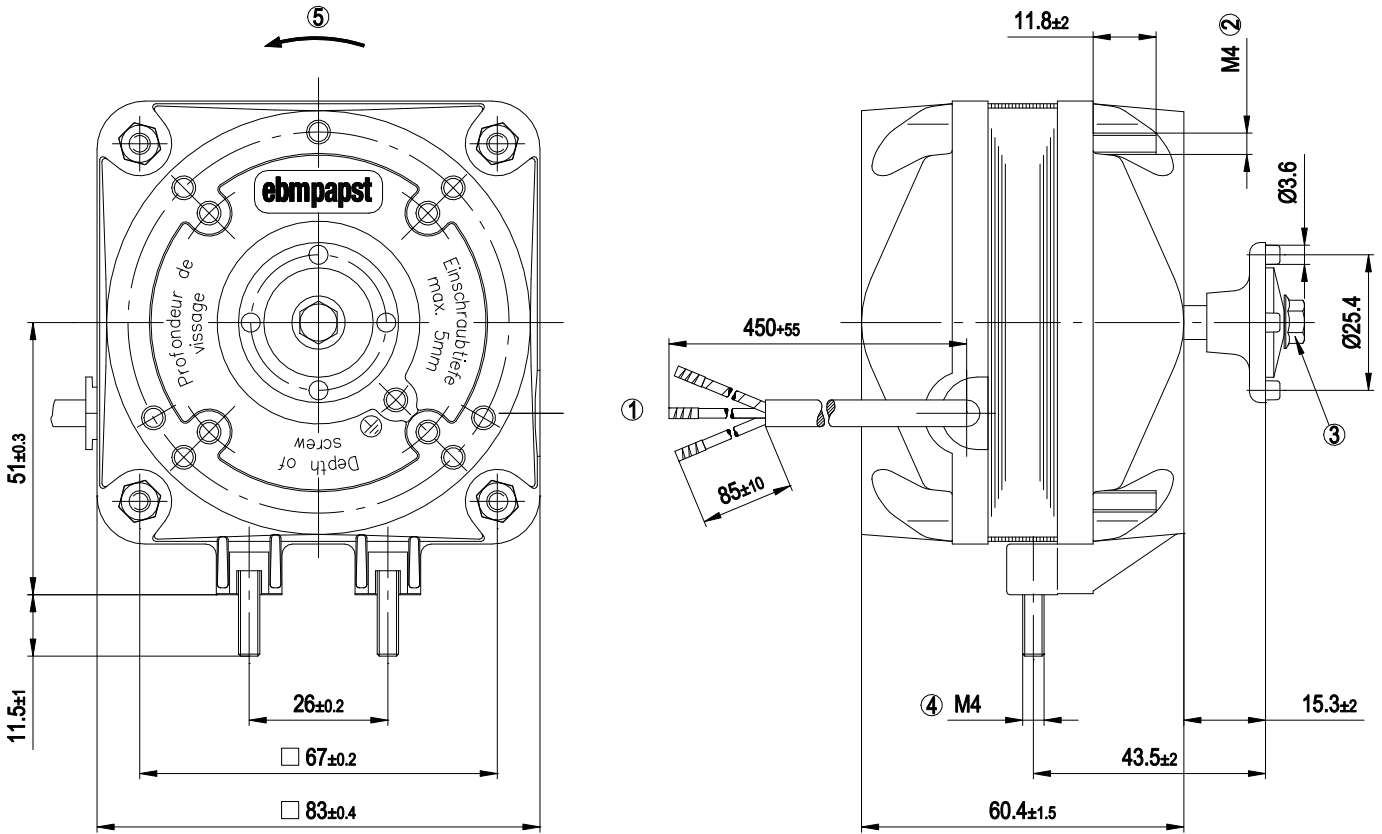
ml = Max. load · me = Max. efficiency · fa = Running at free air · cs = Customer specs · cu = Customer unit
Subject to alterations



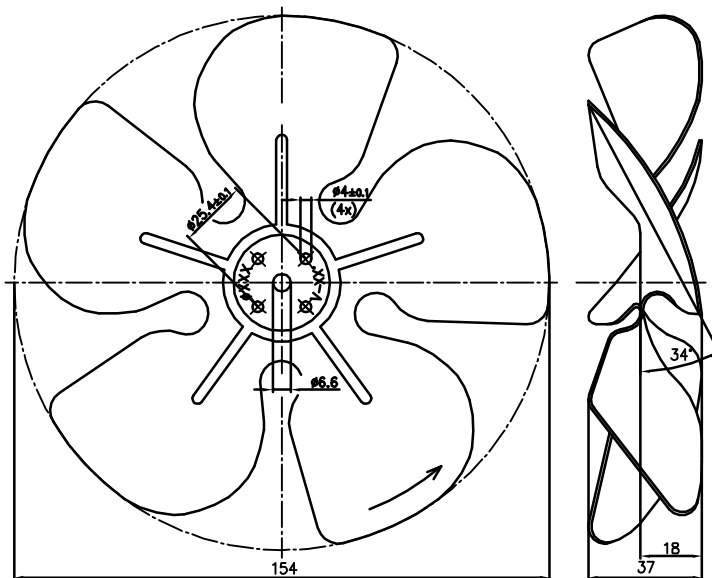
Technical features

Mass	0.85 kg
Size	45 mm
Material of end shield	Die-cast aluminium
Direction of rotation	Counter-clockwise, seen on rotor
Type of protection	IP 42
Insulation class	"B"
Max. permissible ambient motor temp. (transp./ storage)	+ 80 °C
Min. permissible ambient motor temp. (transp./storage)	- 40 °C
Mounting position	Shaft horizontal
Condensate discharge holes	None
Operation mode	S1
Motor bearing	Calotte bearing
Touch current acc. IEC 60990 (measuring network Fig. 4, TN system)	< 0.75 mA
Motor protection	Impedance protected
Cable exit	Lateral
Protection class	I (if protective earth is connected by customer)
Product conforming to standard	EN 60335-1; CE
Approval	EAC; VDE ; CCC

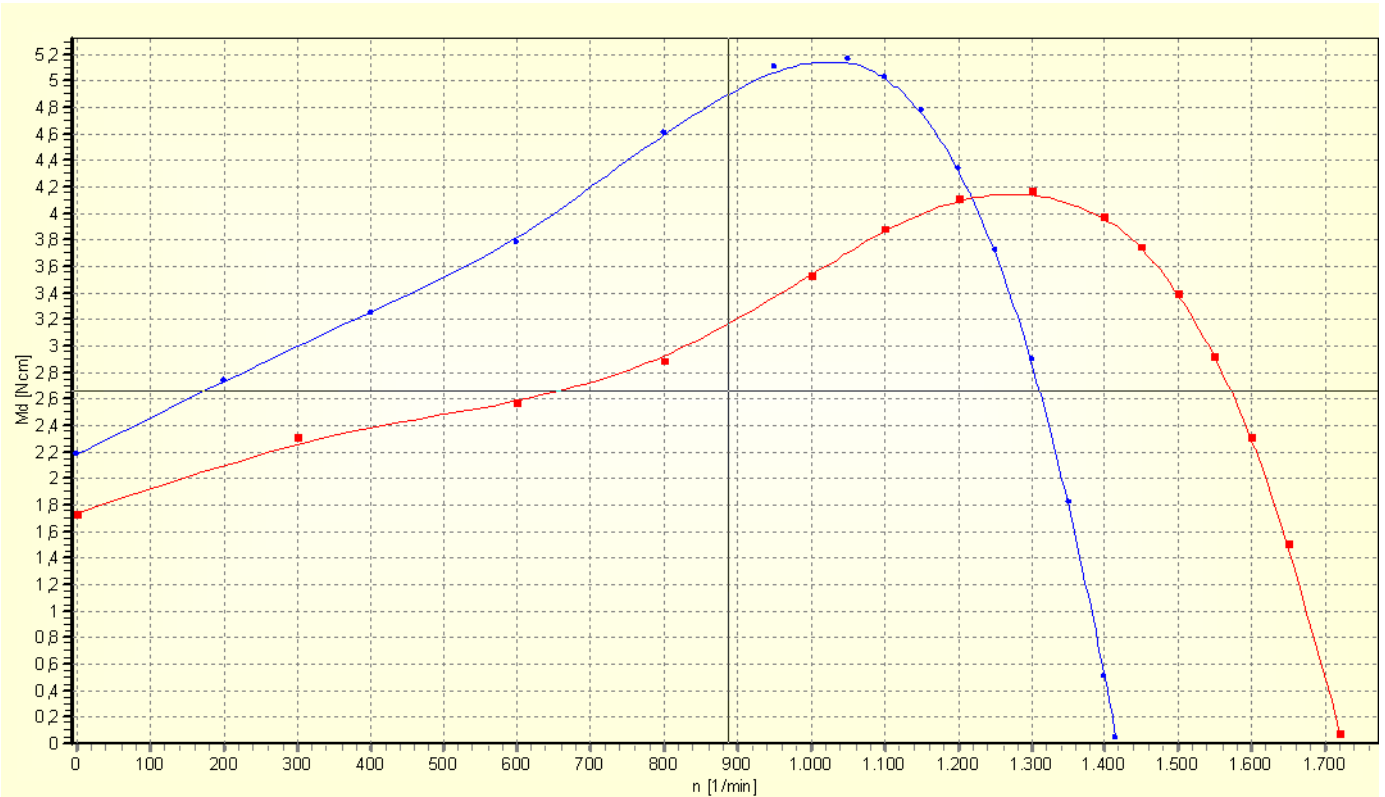
Product drawing



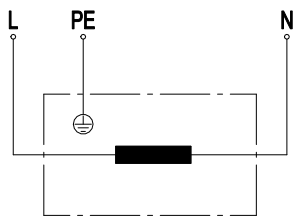
- 1 Connection line PVC, 3x brass lead tips crimped
- 2 Nut tightening torque, for fastening the wall ring or guard grille: 2.3 Nm
- 3 Screw tightening torque, for fastening the impeller: 1.4 Nm
- 4 Nut tightening torque, for fastening the mounting bracket: 2.3 Nm
- 5 Direction of rotation counter-clockwise, seen on shaft end



Charts: Speed (rpm)



Connection screen



L	blue	PE	green/yellow	N	brown
---	------	----	--------------	---	-------