

backward-curved, single-intake

with support bracket

ASIA PACIFIC SHENGRUI LIMITED

Phone +00852 56261528

info@apacfan.com

www.apacfan.com

Nominal data

Type	K3G500-PC16-N1	
Motor	M3G150-NA	
Phase		3~
Nominal voltage	VAC	400
Nominal voltage range	VAC	380 .. 480
Frequency	Hz	50/60
Method of obtaining data		ml
Status		prelim.
Speed (rpm)	min ⁻¹	2400
Power consumption	W	7000
Current draw	A	10.7
Min. ambient temperature	°C	-40
Max. ambient temperature	°C	40

ml = Max. load · me = Max. efficiency · fa = Free air · cs = Customer specification · ce = Customer equipment
Subject to change

Data according to Commission Regulation (EU) 327/2011 (prEN 17166)

		Actual	Req. 2015			
01 Overall efficiency η_{es}	%	67.3	60.4	09 Power consumption P_{ed}	kW	6.98
02 Measurement category		A		09 Air flow q_v	m ³ /h	11660
03 Efficiency category		Static		09 Pressure increase p_{fs}	Pa	1405
04 Efficiency grade N		68.9	62	10 Speed (rpm) n	min ⁻¹	2405
05 Variable speed drive		Yes		11 Specific ratio [*]		1.01

Data obtained at optimum efficiency level.

^{*} Specific ratio = $1 + p_{fs} / 100\,000\text{ Pa}$

LU-207721

The efficiency values displayed for achieving conformity with the Ecodesign Regulation EU 327/2011 has been reached with defined air duct components (e.g. inlet rings).
The dimensions must be requested from ebm-papst. If other air conduction geometries are used on the installation side, the ebm-papst evaluation loses its validity/the conformity must be confirmed again.
The product does not fall within the scope of Regulation (EU) 2019/1781 due to the exception specified in Article 2 (2a) (motors completely integrated into a product).



Technical description

Weight	53.9 kg
Size	500 mm
Motor size	150
Rotor surface	Painted black
Electronics housing material	Die-cast aluminum
Impeller material	Sheet aluminum
Support plate material	Sheet steel, galvanized
Support bracket material	Steel, painted black
Inlet nozzle material	Sheet steel, galvanized
Number of blades	5
Direction of rotation	Clockwise, viewed toward rotor
Degree of protection	IP55
Insulation class	"F"
Moisture (F) / Environmental (H) protection class	H1
Ambient temperature note	Occasional start-up at temperatures between -40°C and -25°C is permitted. For continuous operation at ambient temperatures below -25°C (such as refrigeration applications), use must be made of a fan design with special low-temperature bearings.
Max. permitted ambient temp. for motor (transport/storage)	+80 °C
Min. permitted ambient temp. for motor (transport/storage)	-40 °C
Installation position	See legend on product drawing
Condensation drainage holes	On rotor side
Mode	S1
Motor bearing	Ball bearing
Technical features	<ul style="list-style-type: none"> - Operation and alarm display with LED - External 15-50 VDC input (parameterization) - Alarm relay - Integrated PI controller - Configurable inputs/outputs (I/O) - MODBUS V6.4 - Motor current limitation - RS-485 MODBUS-RTU - Soft start - Voltage output 3.3-24 VDC, Pmax = 800 mW - Control interface with SELV potential safely disconnected from the mains - Thermal overload protection for electronics/motor - Line undervoltage / phase failure detection - Vibration sensor
EMC immunity to interference	According to EN 61000-6-2 (industrial environment)
EMC interference emission	According to EN 61000-6-3 (household environment), except EN 61000-3-2 for professionally used equipment with a total rated power greater than 1 kW
Touch current according to IEC 60990 (measuring circuit Fig. 4, TN system)	<= 3.5 mA
Electrical hookup	Terminal box
Motor protection	Electronic motor protection

EC centrifugal module - RadiPac

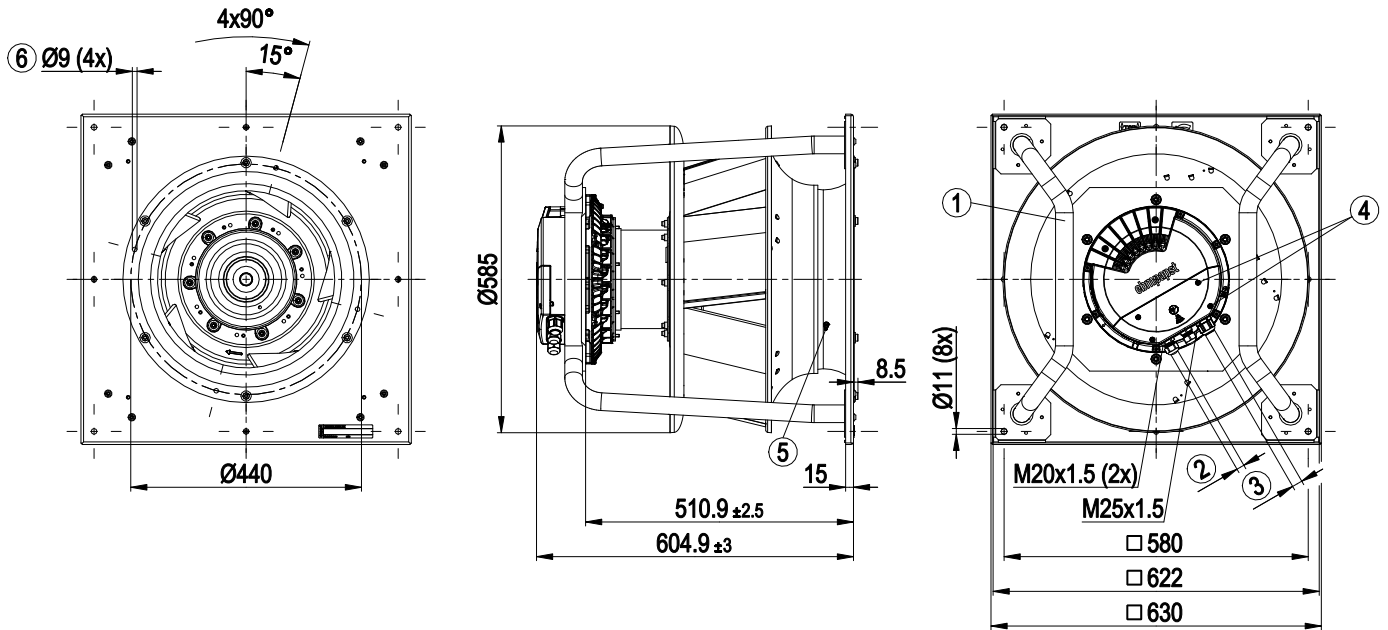
backward-curved, single-intake

with support bracket

Protection class assignment	I; If a protective earth is connected by the customer This component for installation may have several local protection classes. This information relates to this component's basic design. The final protection class is based on the component's intended installation and connection.
Conformity with standards	EN 61800-5-1; CE
Approval	CSA C22.2 No. 77 + CAN/CSA-E60730-1; UL 1004-7 + 60730-1; EAC



Product drawing

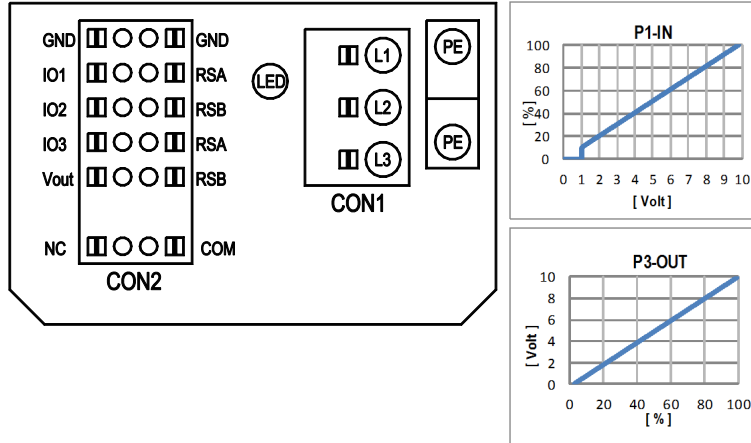


1	Installed position: shaft horizontal (install support struts only vertically as illustrated) or rotor on bottom; rotor on top on request
2	Cable diameter min. 4 mm, max. 10 mm, tightening torque 4 ± 0.6 Nm
3	Cable diameter min. 5 mm, max. 14 mm, tightening torque 6 ± 0.9 Nm
	(The tightening torque is designed for PVC cables. If the cable materials are different, the tightening torque may have to be adjusted)
4	Tightening torque 3 ± 0.3 Nm
5	Inlet ring with pressure tap (k-factor: 281)
6	Attachment holes for FlowGrid 35505-2-2957 (not included in scope of delivery)

EC centrifugal module - RadiPac

backward-curved, single-intake
with support bracket

Connection diagram



No.	Conn.	Designation	Function/assignment
	CON1	L1, L2, L3	Power supply, phase, see nameplate for voltage range
	PE	PE	Protective earth
	CON2	RSA	RS485 interface for MODBUS, RSA; SELV
	CON2	RSB	RS485 interface for MODBUS, RSB; SELV
	CON2	GND	Reference ground for control interface, SELV
	CON2	IO1	Function parameterizable (see "Optional interface functions" table) Factory setting: Digital input - high active, function: Disable input, SELV - inactive: Pin open or applied voltage < 1.5 VDC - active: applied voltage 3.5-50 VDC Reset function: Triggering of error reset on change of state from "enabled" to "disabled"
	CON2	IO2	Function parameterizable (see "Optional interface functions" table) Factory setting: Analog input 0-10 V / PWM, Ri=100 kΩ, function: Set value Characteristic curve parameterizable (see input characteristic curve P1-IN), SELV
	CON2	IO3	Function parameterizable (see "Optional interface functions" table) Factory setting: Analog output 0-10 V, max. 5 mA, function: Fan modulation level Characteristic curve parameterizable (see output characteristic curve P3-OUT), SELV
	CON2	Vout	Voltage output 3.3-24 VDC ±5%, Pmax=800 mW, voltage parameterizable Factory setting: 10 VDC short-circuit-proof, supply for external devices, SELV alternatively: 15-50 VDC input for parameterization via MODBUS without line voltage
	CON2	COM	Status relay, floating status contact, common connection, contact rating 250 VAC / 2 A (AC1) / min. 10 mA, reinforced insulation on supply side and on control interface side
	CON2	NC	Status relay, floating status contact, break for failure
		LED	green: status = good, ready for operation orange: status = warning red: status = failure
		P1-IN	Input characteristic curve
		P3-OUT	Output characteristic curve

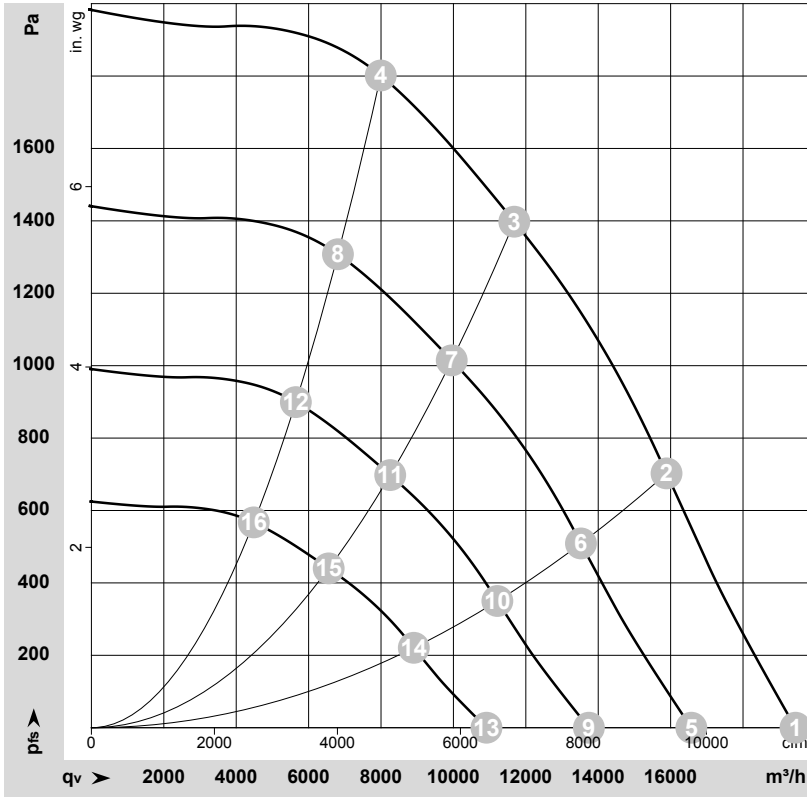
Terminal/plug assignment

CON2	configurable IO mode	electrical specification	configurable IO functions: normal / inverse
IO1	<ul style="list-style-type: none"> configurable option 	not active: pin open or applied voltage < 1.5VDC RI = 100k, characteristic curve parameterizable, $f_{PWM} = 1k..10kHz$, SELV	MODBUS Register for IO mode configuration D158 [0]
IO2	<ul style="list-style-type: none"> configurable option 	not active: pin open or applied voltage < 1.5VDC	
IO3	<ul style="list-style-type: none"> configurable option 	not active: pin open or applied voltage < 1.5VDC not active: pin open or applied voltage 3.5-50VDC PWM = 40Hz - 10kHz, characteristics parameterizable active: pin open or applied voltage 3.5-50VDC 40Hz - 10kHz, characteristics parameterizable active: applied voltage 3.5-50VDC not active: pin open or applied voltage < 1.5VDC, SELV	D15A [8]
RSA	RS485 bus connection,	MODBUS RTU, specification V6.4, SELV	
RSB			
Yout	alternatively: Input auxiliary power supply for parameterization via RS485/MODBUS RTU without line voltage	supply for external devices, SELV	D16E [..]

Terminal	Function	Signal	Direction	Option
D101 [..]	source: set value		input	o
D147 [..]	source: sensor value		input	o
D104 [..]	switch: parameter set: #1 / #2		input	o
D12E [..]	switch: control function: heating (pos.) / cooling (neg.)		input	o
D148 [..]	switch: direction of rotation: cw / ccw		input	o
D16C [..]	switch: set value source		input	o
D16A [..]	switch: fan enable / disable		input	o
(selected directly via IO mode)	signal: tach out		output	
(selected directly via IO mode)	signal: diagnostics out		output	
D130 [0]	signal: fan modulation level %		output	o
D130 [1]	signal: actual speed		output	o
D130 [2]	signal: system modulation level %		output	o
D130 [5]	signal: remote control output 0-10V		output	o
D00C [1]	pulse input for auto-addressing		output	o
D130 [4]	pulse output for auto-addressing		output	o



Curves: Air performance 50 Hz



$\rho = 1.15 \text{ kg/m}^3 \pm 2 \%$

Measurement: LU-207721-1

Air performance measured according to ISO 5801 installation category A. For detailed information on the measurement setup, contact ebmpapst. Intake sound level: Sound power level according to ISO 13347 / sound pressure level measured at 1 m distance from fan axis. The values given are valid under the specified measuring conditions and may vary due to conditions of installation. For deviations from the standard configuration, the parameters have to be checked on the installed unit.

Measured values

	Wired	U	f	n	P _{ed}	I	LpA _{in}	LwA _{in}	LwA _{out}	q _v	P _{fs}	q _v	P _{fs}
		V	Hz	min ⁻¹	W	A	dB(A)	dB(A)	dB(A)	m ³ /h	Pa	cfm	in. wg
1	3~	400	50	2400	3919	6.15	101	108	106	19450	0	11450	0.00
2	3~	400	50	2400	5760	8.86	93	100	100	15885	700	9350	2.81
3	3~	400	50	2400	7000	10.70	84	90	93	11680	1400	6875	5.62
4	3~	400	50	2400	6663	10.18	85	92	96	7995	1800	4705	7.23
5	3~	400	50	2050	2424	3.81	97	104	102	16570	0	9755	0.00
6	3~	400	50	2050	3552	5.46	89	96	96	13525	509	7960	2.04
7	3~	400	50	2050	4322	6.60	80	86	89	9955	1017	5860	4.08
8	3~	400	50	2050	4122	6.30	81	88	92	6810	1308	4010	5.25
9	3~	400	50	1700	1382	2.17	92	99	98	13740	0	8090	0.00
10	3~	400	50	1700	2025	3.11	84	91	91	11215	350	6600	1.41
11	3~	400	50	1700	2465	3.76	75	81	84	8255	699	4860	2.81
12	3~	400	50	1700	2350	3.59	76	83	87	5645	900	3325	3.61
13	3~	400	50	1350	692	1.09	86	93	92	10915	0	6425	0.00
14	3~	400	50	1350	1014	1.56	78	85	86	8905	221	5240	0.89
15	3~	400	50	1350	1234	1.88	69	75	79	6555	441	3860	1.77
16	3~	400	50	1350	1177	1.80	71	77	82	4485	567	2640	2.28

Wired = Wiring · U = Voltage · f = Frequency · n = Speed (rpm) · P_{ed} = Power consumption · I = Current draw · LpA_{in} = Sound pressure level intake side · LwA_{in} = Sound power level intake side
LwA_{out} = Sound power level outlet side · q_v = Air flow · P_{fs} = Pressure increase