

## ASIA PACIFIC SHENGRUI LIMITED

Phone +00852 56261528

info@apacfan.com

www.apacfan.com

## Nominal data

Type	R3G500-PB24-03	
Motor	M3G150-IF	
Phase		3~
Nominal voltage	VAC	400
Nominal voltage range	VAC	380 .. 480
Frequency	Hz	50/60
Method of obtaining data		ml
Speed (rpm)	min <sup>-1</sup>	2000
Power consumption	W	3900
Current draw	A	6.0
Min. ambient temperature	°C	-40
Max. ambient temperature	°C	45

ml = Max. load · me = Max. efficiency · fa = Free air · cs = Customer specification · ce = Customer equipment  
Subject to change

Occasional start-up at temperatures between -40 °C and -25 °C is permitted. For continuous operation at ambient temperatures below -25 °C (such as refrigeration applications), a fan design with special low-temperature bearings must be used.

## Data according to Commission Regulation (EU) 327/2011 (prEN 17166)

		Actual	Req. 2015			
01 Overall efficiency $\eta_{es}$	%	70.3	57.6	09 Power consumption $P_{ed}$	kW	3.82
02 Measurement category		A		09 Air flow $q_v$	m <sup>3</sup> /h	8685
03 Efficiency category		Static		09 Pressure increase $p_{fs}$	Pa	1071
04 Efficiency grade N		74.7	62	10 Speed (rpm) n	min <sup>-1</sup>	2005
05 Variable speed drive		Yes		11 Specific ratio*		1.01

Data obtained at optimum efficiency level.

\* Specific ratio =  $1 + p_b / 100\,000\text{ Pa}$

LU-204598

The efficiency values displayed for achieving conformity with the Ecodesign Regulation EU 327/2011 has been reached with defined air duct components (e.g. inlet rings). The dimensions must be requested from ebm-papst. If other air conduction geometries are used on the installation side, the ebm-papst evaluation loses its validity/the conformity must be confirmed again. The product does not fall within the scope of Regulation (EU) 2019/1781 due to the exception specified in Article 2 (2a) (motors completely integrated into a product).

## Technical description

<b>Weight</b>	25.8 kg
<b>Size</b>	500 mm
<b>Motor size</b>	150
<b>Rotor surface</b>	Painted black
<b>Electronics housing material</b>	Die-cast aluminum
<b>Impeller material</b>	Sheet aluminum
<b>Number of blades</b>	5
<b>Direction of rotation</b>	Clockwise, viewed toward rotor
<b>Degree of protection</b>	IP55
<b>Insulation class</b>	"F"
<b>Moisture (F) / Environmental (H) protection class</b>	H1
<b>Ambient temperature note</b>	Occasional start-up at temperatures between -40°C and -25°C is permitted. For continuous operation at ambient temperatures below -25°C (such as refrigeration applications), use must be made of a fan design with special low-temperature bearings.
<b>Max. permitted ambient temp. for motor (transport/storage)</b>	+80 °C
<b>Min. permitted ambient temp. for motor (transport/storage)</b>	-40 °C
<b>Installation position</b>	Shaft horizontal or rotor on bottom; rotor on top on request
<b>Condensation drainage holes</b>	On rotor side
<b>Mode</b>	S1
<b>Motor bearing</b>	Ball bearing
<b>Technical features</b>	<ul style="list-style-type: none"> <li>- Operation and alarm display with LED</li> <li>- External 15-50 VDC input (parameterization)</li> <li>- Alarm relay</li> <li>- Integrated PI controller</li> <li>- Configurable inputs/outputs (I/O)</li> <li>- MODBUS V6.3</li> <li>- Motor current limitation</li> <li>- RS-485 MODBUS-RTU</li> <li>- Soft start</li> <li>- Voltage output 3.3-24 VDC, Pmax = 800 mW</li> <li>- Control interface with SELV potential safely disconnected from the mains</li> <li>- Thermal overload protection for electronics/motor</li> <li>- Line undervoltage / phase failure detection</li> </ul>
<b>Power Factor Correction (PFC)</b>	Passive (through low-capacitance DC link)
<b>EMC immunity to interference</b>	According to EN 61000-6-2 (industrial environment)
<b>EMC interference emission</b>	According to EN 61000-6-3 (household environment), except EN 61000-3-2 for professionally used equipment with a total rated power greater than 1 kW
<b>Touch current according to IEC 60990 (measuring circuit Fig. 4, TN system)</b>	<= 3.5 mA
<b>Electrical hookup</b>	Terminal box
<b>Motor protection</b>	Reverse polarity and locked-rotor protection
<b>Protection class assignment</b>	I; If a protective earth is connected. The built-in component has several local protection class assignments. The final protection class is determined by the intended installation.
<b>Conformity with standards</b>	EN 61800-5-1; CE

R3G500-PB24-03

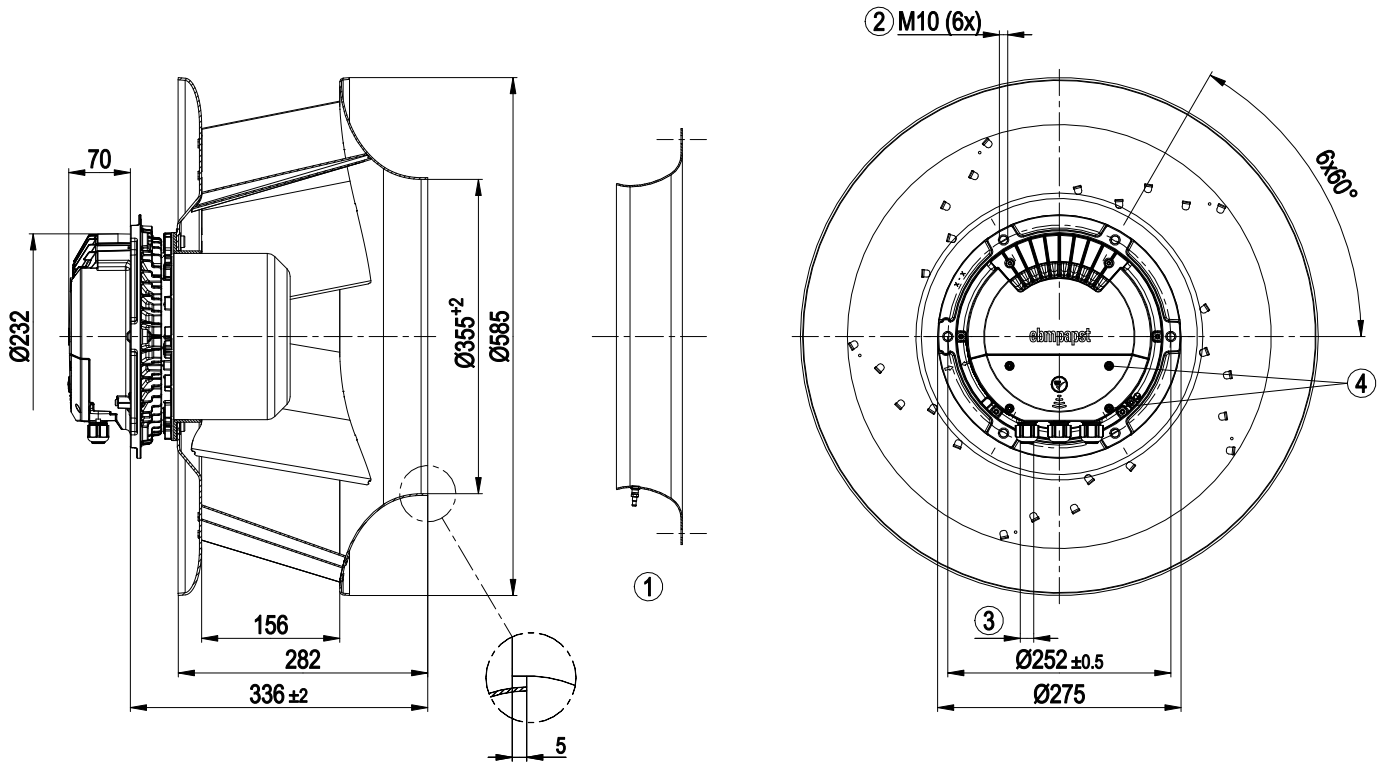
# EC centrifugal fan - RadiPac

backward-curved, single-intake

Approval

CSA C22.2 No. 77 + CAN/CSA-E60730-1; EAC; UL 1004-7 + 60730-1

## Product drawing



(The tightening torque is designed for PVC cables. If the cable materials are different, the tightening torque may have to be adjusted)

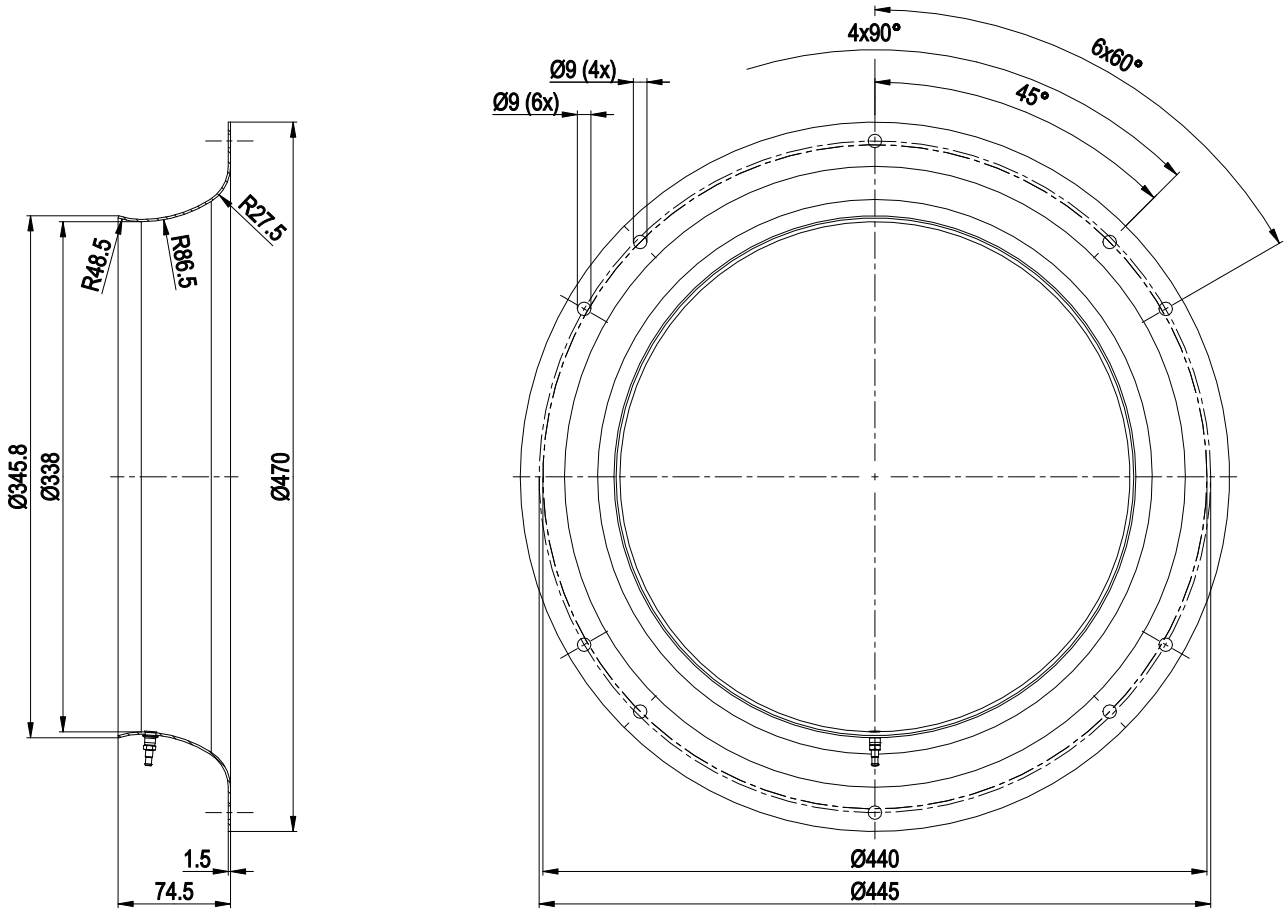
4 Tightening torque  $1.5 \pm 0.2$  Nm

1 Accessory part: Inlet ring 64025-2-4013 with pressure tap (k-factor: 281) not included in scope of delivery

2 Max. clearance for screw 20 mm

3 Cable diameter min. 4 mm, max. 10 mm, tightening torque  $4 \pm 0.6$  Nm

## Accessory part

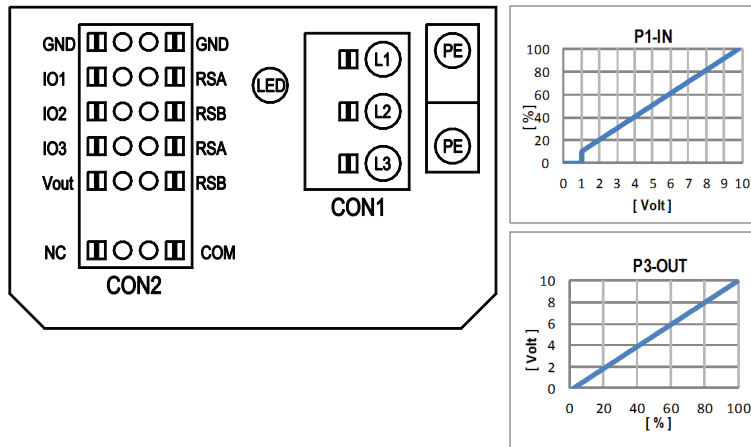


Inlet ring 64025-2-4013 with pressure tap (k-factor: 281)

# EC centrifugal fan - RadiPac

backward-curved, single-intake

## Connection diagram

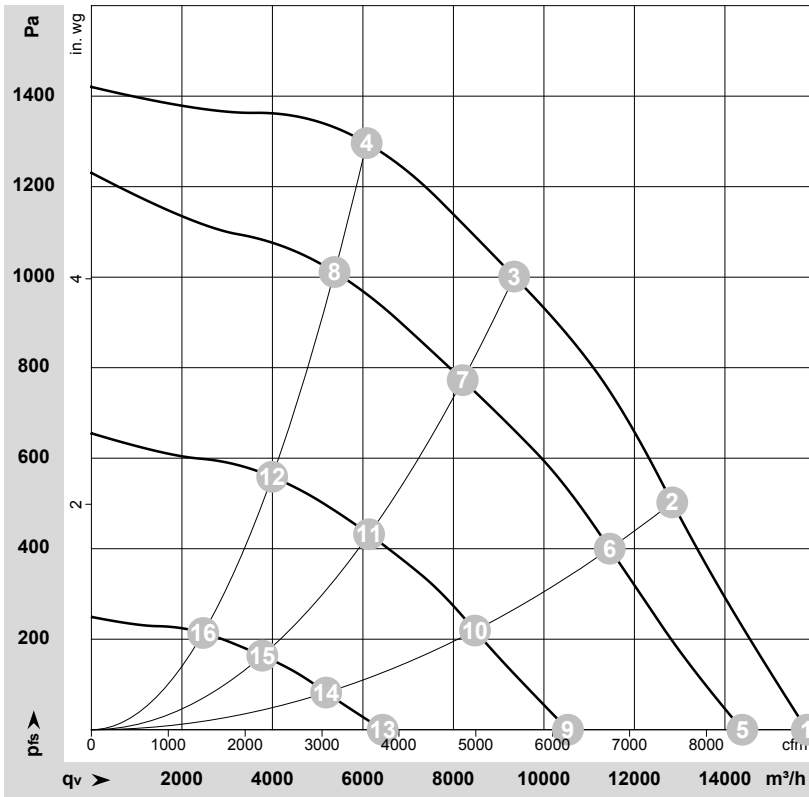


No.	Conn.	Designation	Function/assignment
	CON1	L1, L2, L3	Power supply, phase, see nameplate for voltage range
	PE	PE	Protective earth
	CON2	RSA	RS485 interface for MODBUS, RSA; SELV
	CON2	RSB	RS485 interface for MODBUS, RSB; SELV
	CON2	GND	Reference ground for control interface, SELV
	CON2	IO1	Function parameterizable (see "Optional interface functions" table) Factory setting: Digital input - high active, function: Disable input, SELV - inactive: Pin open or applied voltage < 1.5 VDC - active: applied voltage 3.5-50 VDC Reset function: Triggering of error reset on change of state from "enabled" to "disabled"
	CON2	IO2	Function parameterizable (see "Optional interface functions" table) Factory setting: Analog input 0-10 V / PWM, Ri=100 kΩ, function: Set value Characteristic curve parameterizable (see input characteristic curve P1-IN), SELV
	CON2	IO3	Function parameterizable (see "Optional interface functions" table) Factory setting: Analog output 0-10 V, max. 5 mA, function: Fan modulation level Characteristic curve parameterizable (see output characteristic curve P3-OUT), SELV
	CON2	Vout	Voltage output 3.3-24 VDC ±5%, Pmax=800 mW, voltage parameterizable Factory setting: 10 VDC short-circuit-proof, supply for external devices, SELV alternatively: 15-50 VDC input for parameterization via MODBUS without line voltage
	CON2	COM	Status relay, floating status contact, common connection, contact rating 250 VAC / 2 A (AC1) / min. 10 mA, reinforced insulation on supply side and on control interface side
	CON2	NC	Status relay, floating status contact, break for failure
		LED	green: status = good, ready for operation orange: status = warning red: status = failure
		P1-IN	Input characteristic curve
		P3-OUT	Output characteristic curve

## Terminal/plug assignment

CON2	configurable IO mode	electrical specification	configurable IO functions: normal / inverse	MODBUS Register for IO mode configuration	source: set value	source: sensor value	switch: parameter set: #1 / #2	switch: control function: heating (pos.) / cooling (neg.)	switch: direction of rotation: cw / ccw	switch: set value source	switch: fan enable / disable	signal: tach out	signal: diagnostics out	signal: fan modulation level %	signal: actual speed	signal: system modulation level %	signal: remote control output 0-10V	pulse input for auto-addressing	pulse output for auto-addressing
IO1	<ul style="list-style-type: none"> <li>configurable option</li> </ul>	not active: pin open or applied voltage < 1.5VDC RI = 100k, characteristic curve parameterizable, $f_{PWM} = 1k..10kHz, SELV$		D158 [0]															
IO2		not active: pin open or applied voltage < 1.5VDC																	
IO3	<ul style="list-style-type: none"> <li>PWMIn3: digital input, idle level high</li> <li>PWMIn3: digital input, idle level low</li> </ul>	not active: pin open or applied voltage < 1.5VDC not active: pin open or applied voltage 3.5-50VDC PWM = 40Hz - 10kHz, characteristics parameterizable active: pin open or applied voltage 3.5-50VDC 40Hz - 10kHz, characteristics parameterizable active: applied voltage 3.5-50VDC not active: pin open or applied voltage < 1.5VDC, SELV		D15A [8]															
RSA RSB	RS485 bus connection,	MODBUS RTU, specification V6.3, SELV																	
Vout	alternatively: Input auxiliary power supply for parameterization via RS485/ MODBUS RTU without line voltage	supply for external devices, SELV		D16E [..]															

## Curves: Air performance 50 Hz



$\rho = 1.15 \text{ kg/m}^3 \pm 2 \%$

Measurement: LU-204598-1  
Date: 2020-02-24  
Nozzle: 63072-2-4013

Air performance measured according to ISO 5801 installation category A. For detailed information on the measurement setup, contact ebmpapst. Intake sound level: Sound power level according to ISO 13347 / sound pressure level measured at 1 m distance from fan axis. The values given are valid under the specified measuring conditions and may vary due to conditions of installation. For deviations from the standard configuration, the parameters have to be checked on the installed unit.

## Measured values

	Wired	U	f	n	P <sub>ed</sub>	I	LpA <sub>in</sub>	LwA <sub>in</sub>	LwA <sub>out</sub>	q <sub>v</sub>	p <sub>fs</sub>	q <sub>v</sub>	p <sub>fs</sub>
		V	Hz	min <sup>-1</sup>	W	A	dB(A)	dB(A)	dB(A)	m <sup>3</sup> /h	Pa	cfm	in. wg
1	3~	400	50	2000	2410	3.73	94	101	101	15810	0	9305	0.00
2	3~	400	50	2000	3374	5.15	86	93	94	12835	500	7555	2.01
3	3~	400	50	2000	3900	6.00	79	86	89	9340	1000	5500	4.01
4	3~	400	50	2000	3748	5.71	82	88	91	6085	1300	3580	5.22
5	3~	400	50	1835	1847	2.90	91	99	99	14385	0	8465	0.00
6	3~	400	50	1795	2389	3.70	83	91	92	11455	400	6740	1.61
7	3~	400	50	1765	2636	4.07	75	82	86	8205	773	4830	3.10
8	3~	400	50	1780	2588	3.99	78	85	89	5375	1012	3160	4.06
9	3~	400	50	1355	812	1.44	83	91	93	10530	0	6200	0.00
10	3~	400	50	1335	1038	1.75	75	83	85	8475	219	4990	0.88
11	3~	400	50	1320	1143	1.89	67	75	79	6135	432	3610	1.73
12	3~	400	50	1325	1117	1.86	69	78	81	3995	559	2350	2.24
13	3~	400	50	835	226	0.61	71	80	80	6435	0	3790	0.00
14	3~	400	50	820	277	0.69	62	71	73	5190	82	3055	0.33
15	3~	400	50	820	300	0.73	55	63	67	3775	164	2220	0.66
16	3~	400	50	815	299	0.73	56	63	69	2470	214	1455	0.86

Wired = Wiring · U = Voltage · f = Frequency · n = Speed (rpm) · P<sub>ed</sub> = Power consumption · I = Current draw · LpA<sub>in</sub> = Sound pressure level intake side · LwA<sub>in</sub> = Sound power level intake side  
LwA<sub>out</sub> = Sound power level outlet side · q<sub>v</sub> = Air flow · p<sub>fs</sub> = Pressure increase