

# AC centrifugal fan

forward curved

**ASIA PACIFIC SHENGRUI LIMITED**

Phone +00852 56261528

info@apacfan.com

www.apacfan.com

## Nominal data

<b>Type</b>	R2E140-BR64-23	
<b>Motor</b>	<b>M2E052-CA</b>	
Phase		1~
Nominal voltage	VAC	230
Frequency	Hz	50/60Hz
Type of data definition		
Valid for approval / standard		CE
Speed	min <sup>-1</sup>	950
Power input	W	55/56
Current draw	A	0.25
Motor capacitor	μF	1
Capacitor voltage	VDB	400
Capacitor standard		P0 (CE)
Max. ambient temperature	°C	-

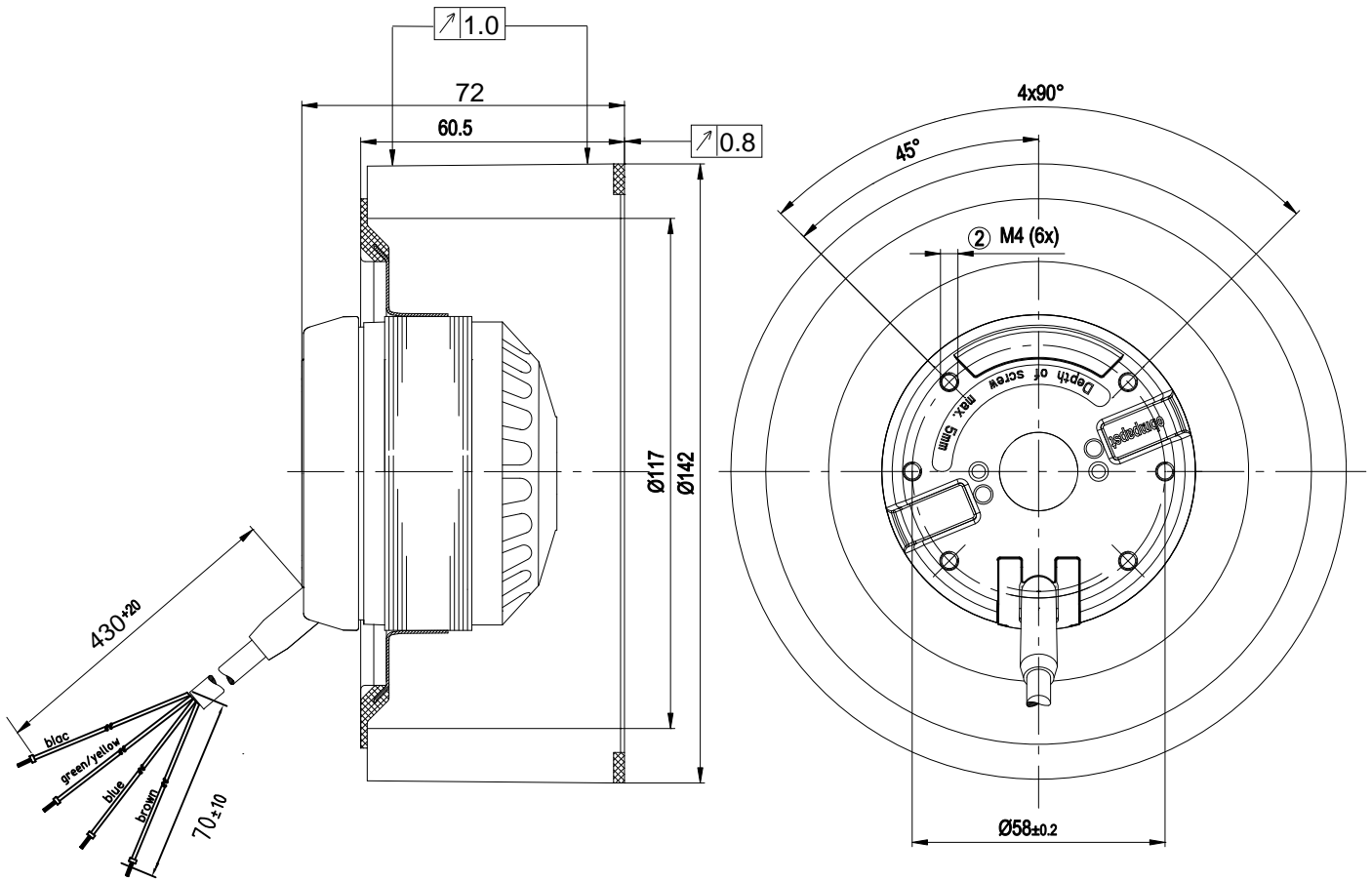
ml = max. load · me = max. efficiency · fa = running at free air · cs = customer specs · cu = customer unit  
Subject to alterations



### Technical features

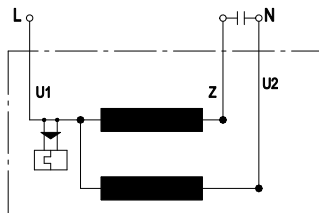
<b>Mass</b>	0.8 kg
<b>Size</b>	140 mm
<b>Material of impeller</b>	Plastic PA6
<b>Direction of rotation</b>	Clockwise, seen on rotor
<b>Type of protection</b>	IP 44; Depending on installation and position
<b>Insulation class</b>	"B"
<b>Max. permissible ambient motor temp. (transp./ storage)</b>	+ 80 °C
<b>Min. permissible ambient motor temp. (transp./storage)</b>	- 40 °C
<b>Mounting position</b>	Any
<b>Condensate discharge holes</b>	None
<b>Operation mode</b>	S1
<b>Motor bearing</b>	ball bearing
<b>Touch current acc. IEC 60990 (measuring network Fig. 4, TN system)</b>	< 0.75 mA
<b>Electrical leads</b>	With plug
<b>Motor protection</b>	Thermal overload protector (TOP) wired internally
<b>Cable exit</b>	Variable
<b>Protection class</b>	I (if protective earth is connected by customer)
<b>Product conforming to standard</b>	EN 60335-1; CE

## Product drawing



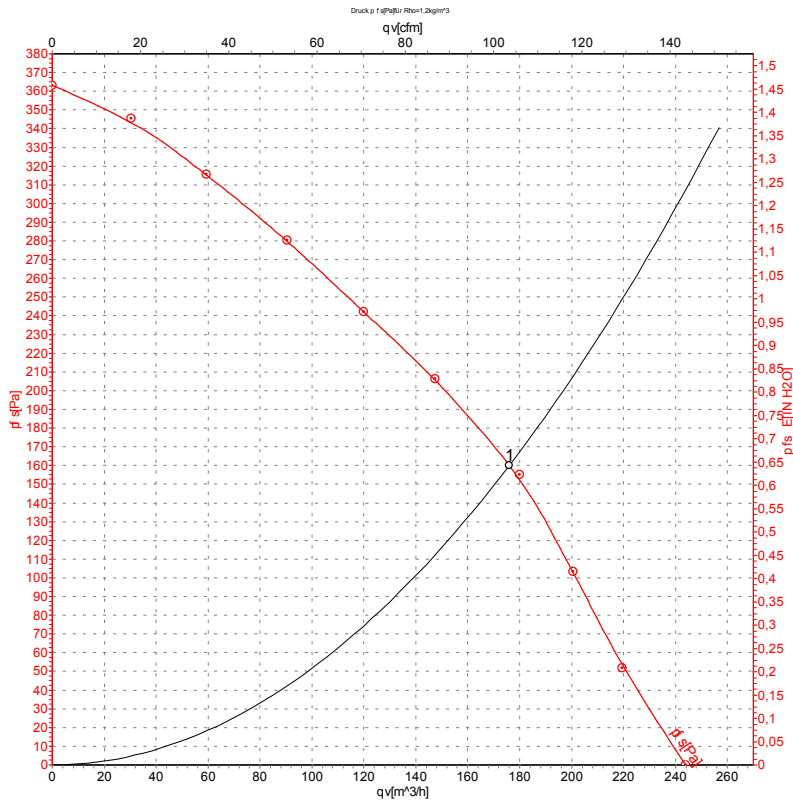
- |   |  |
|---|--|
| 1 | Connection line PVC 4x0.5 mm <sup>2</sup> , 4 pcs brass tips |
| 2 | Depth of screw max. 5 mm                                     |

## Connection screen



U1	Blue	Z	brown	U2	black
----	------	---	-------	----	-------

## Charts: Air flow 50 Hz



Measurement: LU-72071

Air performance measured as per ISO 5801 Installation category A. For detailed information on the measuring set-up, please contact ebm-papst. Suction-side noise levels: L<sub>wA</sub> measured as per ISO 13347 / L<sub>pA</sub> measured with 1m distance to fan axis. The values given are valid under the measuring conditions mentioned above and may vary according to the actual installation situation. With any deviation from the standard set-up, the specific values have to be checked and reviewed with the unit installed.

## Measured values

	U	f	n	P <sub>e</sub>	I	qv	p <sub>fs</sub>
	V	Hz	min <sup>-1</sup>	W	A	m <sup>3</sup> /h	Pa
1	230	50	1800	50	0.24	175	160

U = Supply voltage · f = Frequency · n = Speed · P<sub>e</sub> = Power input · I = Current draw · qv = Air flow · p<sub>fs</sub> = Pressure increase

