

General Specifications

- Motor Structure:**
Shaded Pole Induction Motor
- Motor Protection:**
Impedance Protection
- Insulation Resistance:**
100M Ω or over with a DC500V Megger
- Dielectric Withstand Voltage:**
AC 1800V 3s pr AC 1500V 1min
- Allowable Ambient Temperature Range:**
-10°C ~ +70°C (Operating)
-40°C ~ +70°C (Storage)
(non-condensing environment)

Expected Life

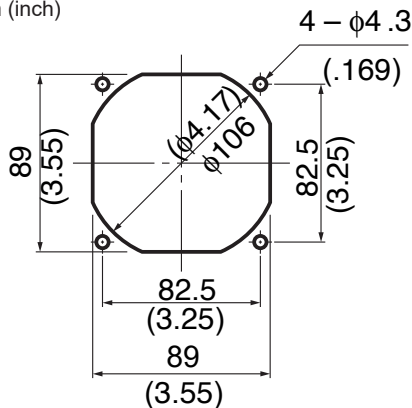
Failure Rate: 10%
25°C 100,000 Hours

Material

- Casing : Aluminum (Black Painting)
- Impeller : Plastic (Black) UL94V-0
- Bearing : Ball Bearing
- Terminal : Faston #110 or equivalent
- Terminal Cover : Plastic (Black) UL94V-2

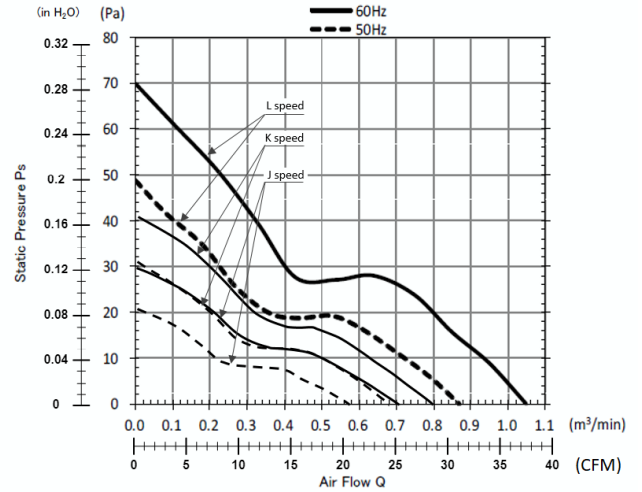
Panel Cut-Outs

Units: mm (inch)



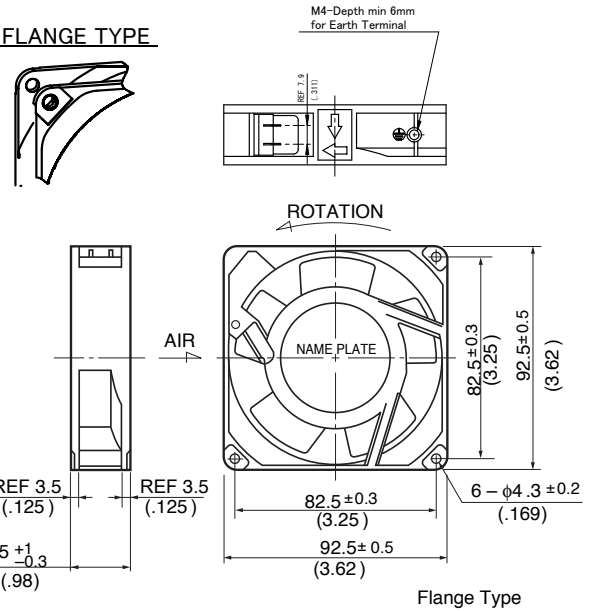
INLET SIDE / OUTLET SIDE

Characteristic Curves

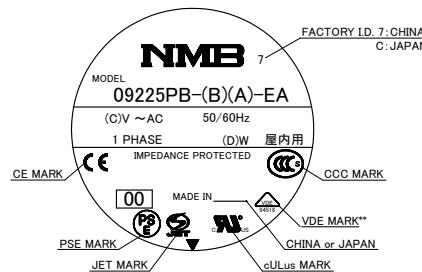


Outline

FLANGE TYPE



Flange Type



(A) Speed Class	(B) Voltage Class	(C) Voltage	(D) Wattage
J	A0	100	7/6
	A1	115	7/6
	B0	200	7/6
	B2	220	8/7
K	B3	230	7/6
	A0	100	7/6
	A1	115	7/6
	B0	200	7/6
L	B2	220	6.5/5.5
	B3	230	7/6
	A0	100	13/10
	A1	115	12/9
	B0	200	13/10
	B2	220	13/10
	B3	230	13/10
	B4	240	13/10

**Following models are NOT VDE certified:
09225PB-A0J-EA-00, 09225PB-B0J-EA-00, 09225PB-B2J-EA-00,
09225PB-A0K-EA-00, 09225PB-B0K-EA-00, 09225PB-B2K-EA-00

Specifications

MODEL	LEGACY P/N	Rated Voltage	Frequency	Starting Voltage	Current	Input Power	Speed	Max. Air Flow		Max. Static Pressure		Noise	Mass
		(V)	(Hz)	(V)	(A) ^{*1}	(W) ^{*2}	(min ⁻¹) ^{*3}	(CFM) ^{*4}	(m ³ /min) ^{*4}	(in H ₂ O) ^{*4}	(Pa) ^{*4}	(dB) ^{*2}	(g)
** 09225PB-A0J-EA-00	3610PS-10T-B10-B00	100	50	65	0.100	7.0	1450	16.2	0.46	.06	13.1	2F.0	300
		100	60	65	0.090	6.0	1800	20.5	0.58	.08	19.1	21.0	300
** 09225PB-A0K-EA-00	3610PS-10T-B20-B00	100	50	65	0.095	7.0	2100	21.2	0.60	.11	27.1	30.0	300
		100	60	65	0.085	6.0	2500	28.3	0.80	.16	39.3	35.0	300
** 09225PB-A0L-EA-00	3610PS-10T-B30-B00	100	50	65	0.190	13.0	2600	28.3	0.80	.17	43.1	33.5	300
		100	60	65	0.150	10.0	3100	34.6	0.98	.24	60.8	38.0	300
09225PB-A1J-EA-00	3610PS-12T-B10-A00	115	50	75	0.090	7.0	1450	16.2	0.46	.06	13.8	21.0	300
		115	60	75	0.080	6.0	1800	20.5	0.58	.08	19.7	25.0	300
09225PB-A1K-EA-00	3610PS-12T-B20-A00	115	50	75	0.090	7.0	2100	21.2	0.60	.12	29.4	30.0	300
		115	60	75	0.080	6.0	2500	28.3	0.80	.16	39.2	35.0	300
09225PB-A1L-EA-00	3610PS-12T-B30-A00	115	50	75	0.170	12.0	2600	28.3	0.80	.17	43.2	33.5	300
		115	60	75	0.130	9.0	3100	34.6	0.98	.24	60.9	38.0	300
** 09225PB-B0J-EA-00	3610PS-20T-B10-B00	200	50	130	0.045	7.0	1450	16.2	0.46	.06	13.8	21.0	300
		200	60	130	0.040	6.0	1800	20.5	0.58	.08	19.7	25.0	300
** 09225PB-B0K-EA-00	3610PS-20T-B20-B00	200	50	130	0.060	7.0	2100	23.0	0.65	.11	27.5	30.0	300
		200	60	130	0.050	6.0	2500	28.3	0.80	.16	39.3	35.0	300
** 09225PB-B0L-EA-00	3610PS-20T-B30-B00	200	50	130	0.100	13.0	2600	28.3	0.80	.17	43.2	33.5	300
		200	60	130	0.080	10.0	3100	34.6	0.98	.24	60.8	38.0	300
** 09225PB-B2J-EA-00	3610PS-22T-B10-B00	220	50	165	0.050	8.0	1450	16.2	0.46	.06	13.8	21.0	300
		220	60	165	0.040	7.0	1800	20.5	0.58	.08	19.7	25.0	300
** 09225PB-B2K-EA-00	3610PS-22T-B20-B00	220	50	165	0.050	6.5	2100	21.2	0.60	.12	29.4	30.0	300
		220	60	165	0.050	5.5	2500	28.3	0.80	.15	38.2	35.0	300
** 09225PB-B2L-EA-00	3610PS-22T-B30-B00	220	50	165	0.100	13.0	2600	28.3	0.80	.17	43.2	34.0	300
		220	60	165	0.080	10.0	3100	34.6	0.98	.24	60.9	39.0	300
09225PB-B3J-EA-00	3610PS-23T-B10-A00	230	50	180	0.050	7.0	1450	16.2	0.46	.06	13.8	21.0	300
		230	60	180	0.040	6.0	1800	20.5	0.58	.08	19.7	25.0	300
09225PB-B3K-EA-00	3610PS-23T-B20-A00	230	50	180	0.050	7.0	2100	21.2	0.60	.12	29.4	30.0	300
		230	60	180	0.050	6.0	2500	28.3	0.80	.16	39.2	35.0	300
09225PB-B3L-EA-00	3610PS-23T-B30-A00	230	50	180	0.090	13.0	2600	28.3	0.80	.17	43.2	34.0	300
		230	60	180	0.070	10.0	3100	34.6	0.98	.24	60.9	39.0	300
** 09225PB-B4L-EA-00	3610PS-24T-B30-A00	240	50	180	0.085	13.0	2600	28.3	0.80	.17	43.2	34.0	300
		240	60	180	0.065	10.0	3100	34.6	0.98	.24	60.9	39.0	300

** Contact NMB for Availability

*1: Maximum Values in Free Air

*2: Average Values in Free Air

*3: Minimum Values in Free Air

*4: Minimum Value