

R4D630-AQ13-05

AC centrifugal fan

backward curved, single inlet

ASIA PACIFIC SHENGRUI LIMITED

Phone +00852 56261528

info@apacfan.com

www.apacfan.com

Nominal data

Type	R4D630-AQ13-05		
Motor	M4D138-LA		
Phase		3~	3~
Nominal voltage	VAC	400	400
Connection		Δ	Y
Frequency	Hz	50	50
Type of data definition		ml	ml
Valid for approval / standard		-	-
Speed	min ⁻¹	1285	880
Power input	W	4100	2330
Current draw	A	7.4	4.23
Min. back pressure	Pa	0	0
Min. ambient temperature	°C	-40	-40
Max. ambient temperature	°C	65	65
Starting current	A	19	6.5

ml = Max. load · me = Max. efficiency · fa = Running at free air · cs = Customer specs · cu = Customer unit
Subject to alterations



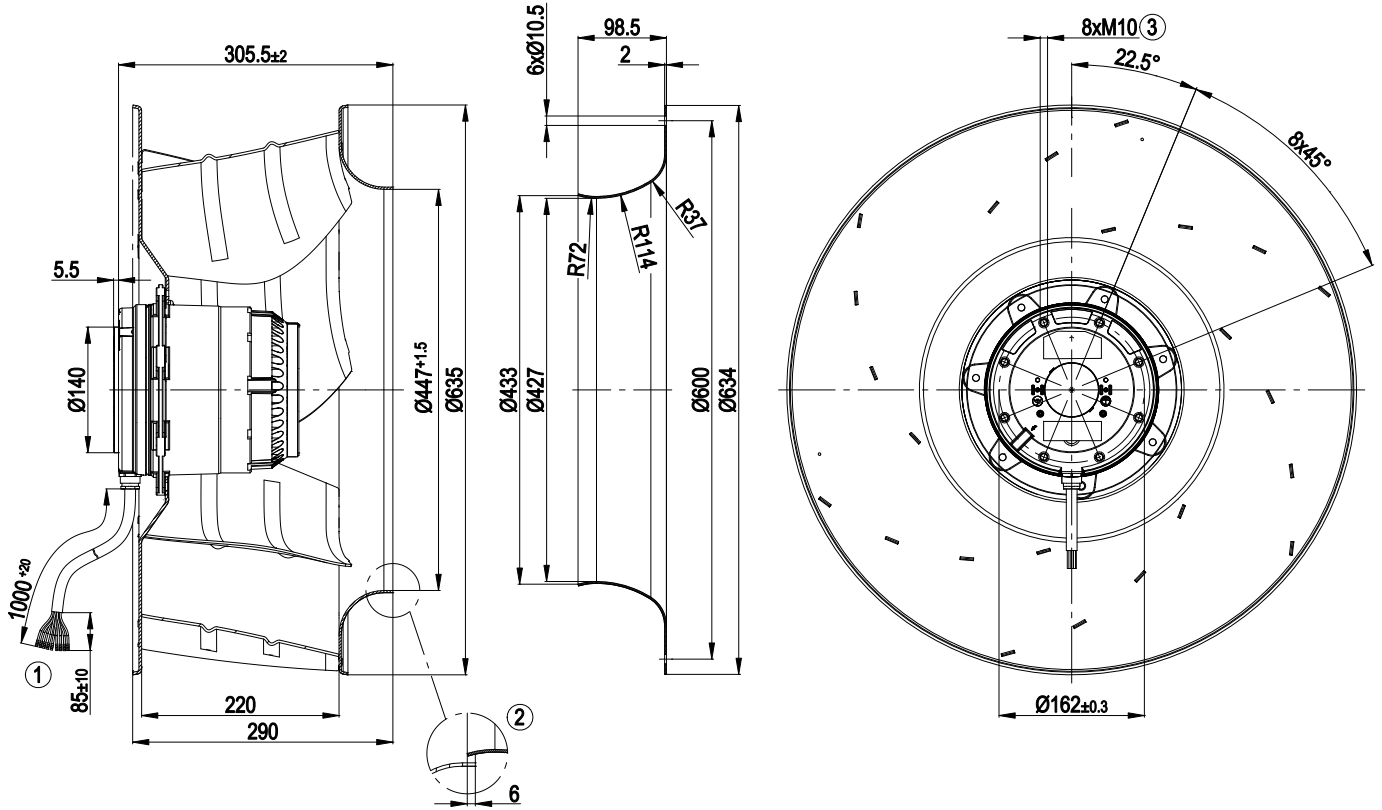
Technical features

Mass	27.8 kg
Size	630 mm
Surface of rotor	Cast in aluminium
Material of impeller	Aluminium sheet
Number of blades	6
Direction of rotation	Clockwise, seen on rotor
Type of protection	IP 20
Insulation class	"F"
Humidity class	F0
Max. permissible ambient motor temp. (transp./ storage)	+ 80 °C
Min. permissible ambient motor temp. (transp./storage)	- 40 °C
Mounting position	Any
Cooling bore / aperture	On rotor and stator sides
Operation mode	S1
Motor bearing	Ball bearing
Touch current acc. IEC 60990 (measuring network Fig. 4, TN system)	<= 3.5 mA
Motor protection	Thermal overload protector (TOP) brought out
Cable exit	Lateral
Protection class	I (if protective earth is connected by customer)
Product conforming to standard	EN 61800-5-1; EN 60034
Approval	GOST; VDE

AC centrifugal fan

backward curved, single inlet

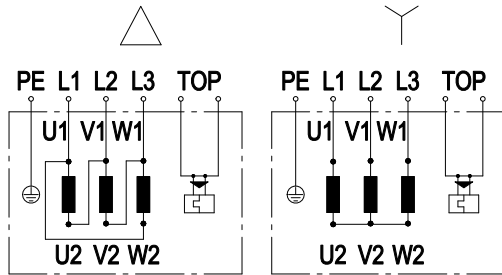
Product drawing



- | | |
|---|--------------------------------------------------------------------------------------------|
| 1 | Connection line halogen-free, 9 x 0.75 mm ² , 9 x brass lead tips crimped |
| 2 | Accessory part: Inlet nozzle 63070-2-4013, not included in the standard scope of delivery. |
| 3 | Depth of screw max. 18 mm |

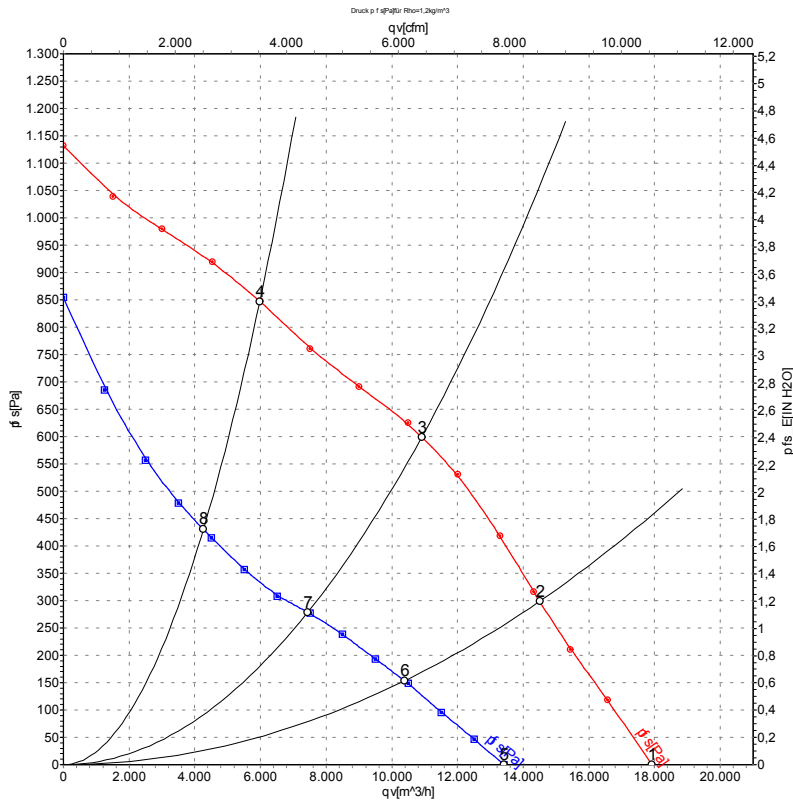


Connection screen



Δ	Delta connection	Y	Star connection	L1	black
L2	blue	L3	brown	U1	black
V1	blue	W1	brown	U2	green
V2	white	W2	yellow	TOP	2xgrey
PE	green/yellow				

Charts: Air flow 50 Hz



Measurement: LU-104461
Measurement: LU-102590

Air performance measured as per ISO 5801 Installation category A. For detailed information on the measuring set-up, please contact ebm-papst. Suction-side noise levels: LwA measured as per ISO 13347 / LpA measured with 1m distance to fan axis. The values given are valid under the measuring conditions mentioned above and may vary according to the actual installation situation. With any deviation from the standard set-up, the specific values have to be checked and reviewed with the unit installed.

Measured values

	Conn.	U	f	n	P _e	I	LpA _{in}	LwA _{in}	LwA _{out}	qv	p _{fs}
		V	Hz	min ⁻¹	W	A	dB(A)	dB(A)	dB(A)	m ³ /h	Pa
1	Δ	400	50	1350	3281	5.88	80	88	94	17920	0
2	Δ	400	50	1315	3687	6.47	77	84	90	14500	300
3	Δ	400	50	1285	4100	7.40	75	82	89	10910	600
4	Δ	400	50	1330	3540	6.27	76	84	90	5980	850
5	Y	400	50	1015	2181	3.95	73	80	86	13410	0
6	Y	400	50	935	2295	4.18	68	76	82	10380	154
7	Y	400	50	875	2336	4.26	65	74	80	7440	279
8	Y	400	50	945	2194	3.95	68	76	82	4265	430

Conn. = Connection · U = Supply voltage · f = Frequency · n = Speed · P_e = Power input · I = Current draw · LpA_{in} = Sound pressure level inlet side · LwA_{in} = Sound power level inlet side · LwA_{out} = Sound power level outlet side · qv = Air flow · p_{fs} = Pressure increase

