

R1G225-AF07-52

# EC centrifugal fan

backward curved, single inlet



**ASIA PACIFIC SHENGRUI LIMITED**

Phone +00852 56261528

info@apacfan.com

www.apacfan.com

## Nominal data

Type	R1G225-AF07-52	
Motor	M1G074-BF	
Nominal voltage	[VDC]	24
Nominal voltage range	[VDC]	16 .. 28
Frequency	[Hz]	-
Type of data definition		rfa
Speed	[min <sup>-1</sup> ]	2600
Power input	[W]	100
Current draw	[A]	4.6
Max. ambient temperature	[°C]	60

ml = max. load · me = max. efficiency · rfa = running at free air · cs = customer specs · cu = customer unit  
Subject to alterations

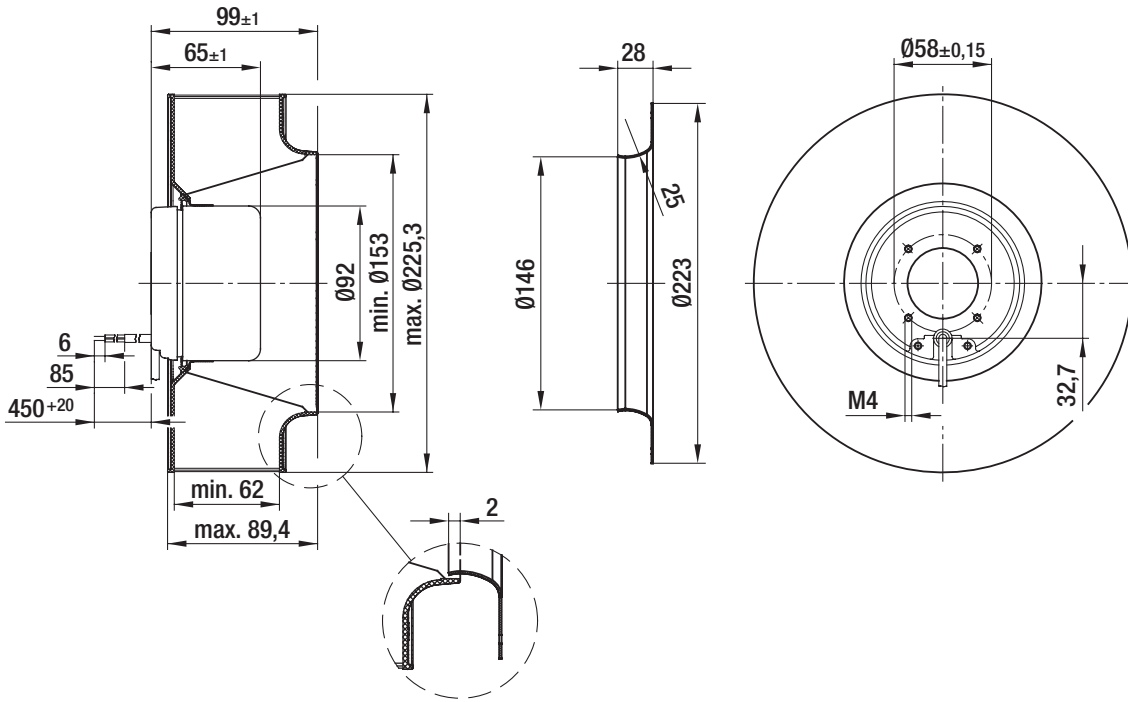
## Technical features

<b>Leakage current</b>	<= 0,25 mA
<b>Size</b>	225 mm
<b>Operation mode</b>	Continuous operation (S1)
<b>Direction of rotation</b>	Clockwise, seen on rotor
<b>Mounting position</b>	Any
<b>Insulation class</b>	"B"
<b>Cable exit</b>	Variable
<b>Bearing motor</b>	Ball bearing
<b>Mass</b>	1.5 kg
<b>Material of electronics housing</b>	Rotor: Coated in black
<b>Material of impeller</b>	PA plastic 6.6, fiberglass-reinforced
<b>Motor protection</b>	Reverse polarity and locked-rotor protection
<b>Number of blades</b>	7
<b>Type of protection</b>	IP 42
<b>Protection class</b>	I
<b>Technical features</b>	Control input 0-10 VDC / PWM, tach output, polarity and locked rotor protection
<b>Approval</b>	CSA C22.2 Nr.77; UL 1004

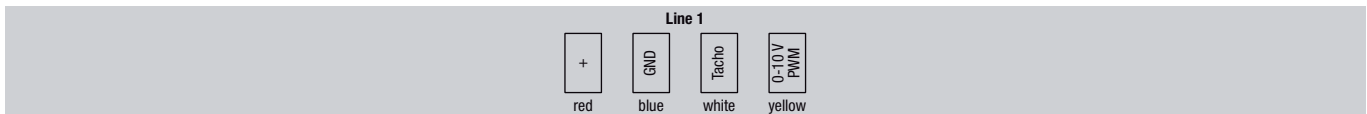
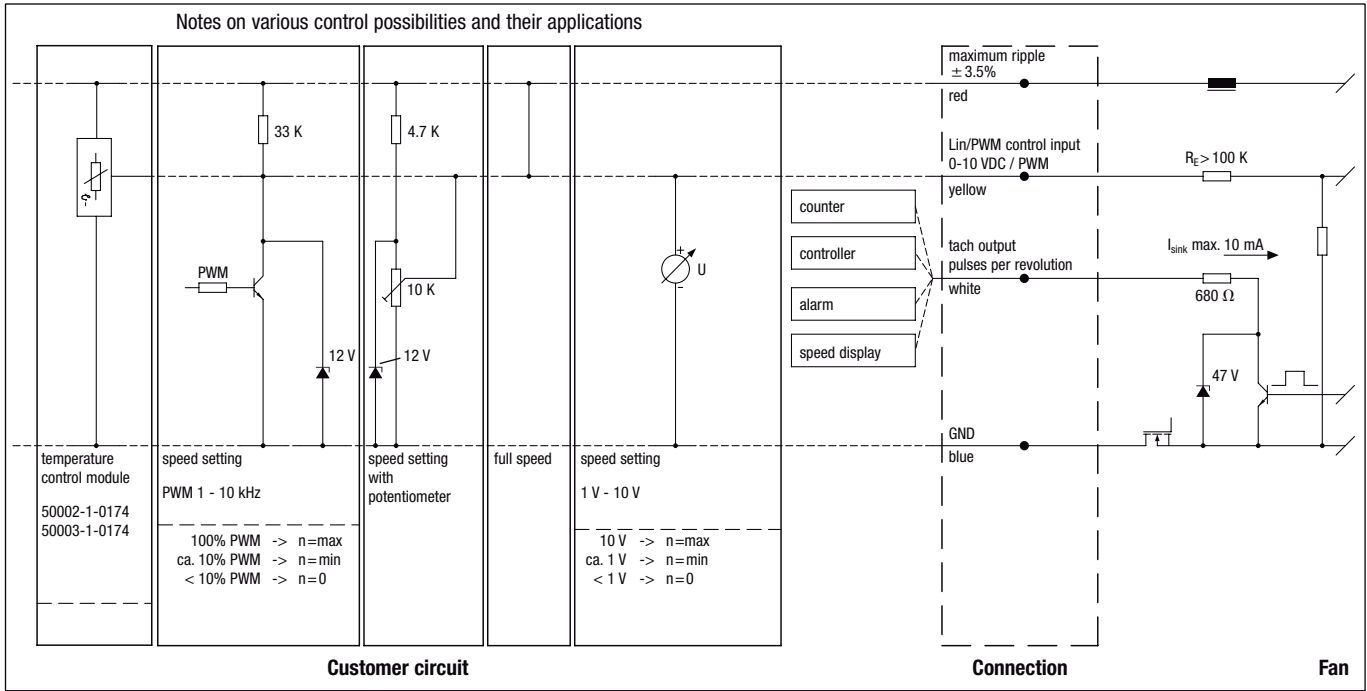
# EC centrifugal fan

backward curved, single inlet

## Product drawing

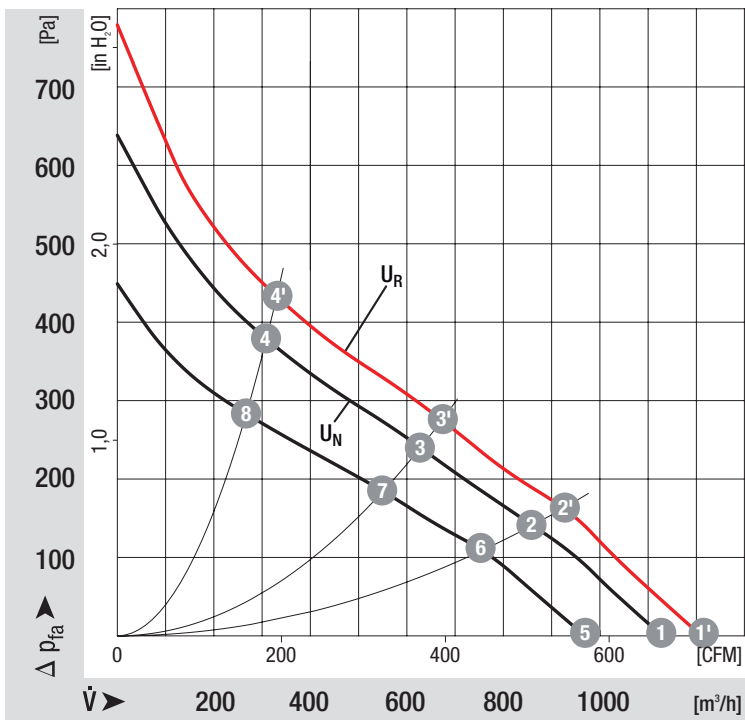


## Connection screen



Line	Signal	Colour	Assignment / function	Line	Signal	Colour	Assignment / function
1	+	red	maximum ripple $\pm 3.5\%$	1	Tacho	white	Tach output: pulses per revolution
	GND	blue	GND		0-10 V / PWM	yellow	Control input

## Charts: Air flow



## Measured values

	n	P <sub>1</sub>	η <sub>TL</sub>
	[min <sup>-1</sup> ]	[W]	[%]
1'	2780	112	
2'	2610	116	48
3'	2570	117	57
4'	2780	112	42
1	2700	95	
2	2450	93	48
3	2400	94	57
4	2610	91	42
5	2230	59	
6	2150	63	48
7	2100	64	57
8	2230	58	42