

ASIA PACIFIC SHENGRUI LIMITED

Phone +00852 56261528

info@apacfan.com

www.apacfan.com

Nominal data

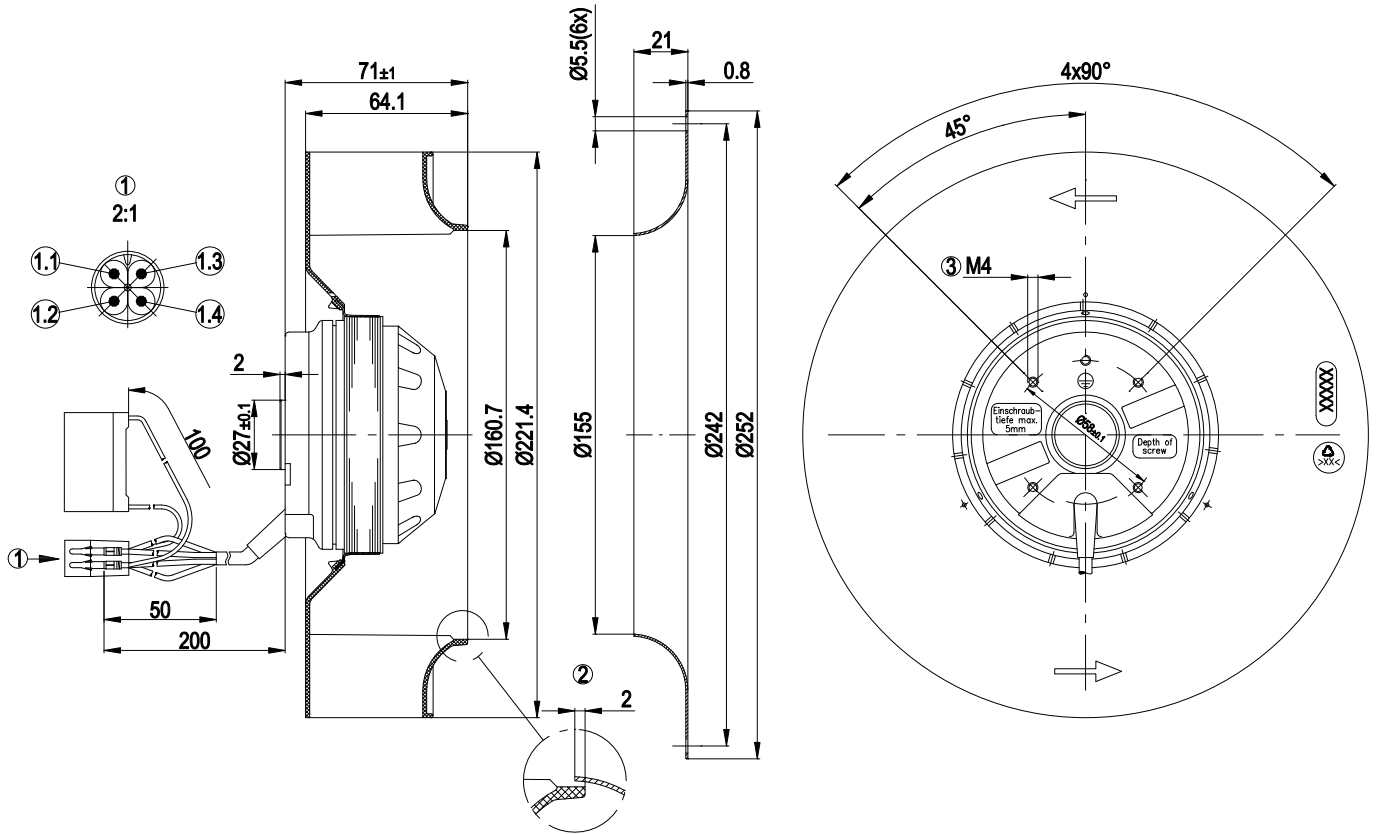
Type	R2E220-AA40-A8	
Motor	M2E068-BF	
Phase		1~
Nominal voltage	[V]	230
Frequency	[Hz]	60
Type of data definition		rfa
Valid for approval / standard		CE
Speed	[min ⁻¹]	2700
Power input	[W]	90
Current draw	[A]	0.40
Motor capacitor	[μF]	2
Capacitor voltage	[VDB]	400
Capacitor standard		P0 (CE)
Min. back pressure	[Pa]	0
Max. ambient temperature	[°C]	55

ml = max. load · me = max. efficiency · rfa = running at free air · cs = customer specs · cu = customer unit
 Subject to alterations

Technical features

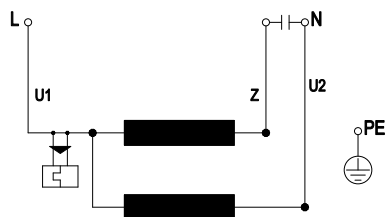
Leakage current	< 0.75 mA
Size	220 mm
Operation mode	S1
Direction of rotation	Clockwise, seen on rotor
Mounting position	Any
Humidity class	F1-2
Insulation class	"F"
Cable exit	Variable
Condensate discharge holes	None
Bearing motor	Ball bearing
Mass	1.39 kg
Material of impeller	Plastic PA6, fibreglass-reinforced
Motor protection	Thermal overload protector (TOP) wired internally
Product conforming to standard	CE
Surface of rotor	Coated in black
Number of blades	11
Type of protection	IP 44; Depending on installation and position
Protection class	I
Max. permissible ambient motor temp. (transp./ storage)	+ 80 °C
Min. permissible ambient motor temp. (transp./storage)	- 40 °C
Approval	CCC; CSA C22.2 Nr.77; UL 2111

Product drawing



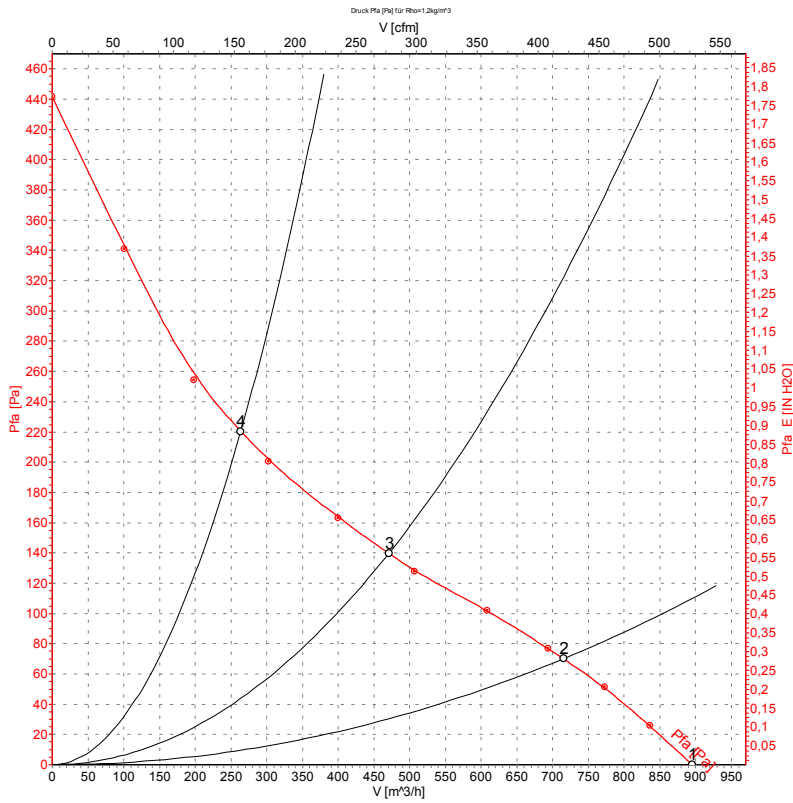
1	Connector housing AMP, Mate-N-Lok
1.1	brown + capacitor
1.2	green/yellow
1.3	blue
1.4	black + capacitor
2	Accessory part: Inlet nozzle 09609-2-4013, not included in the standard scope of delivery
3	Depth of screw max. 5 mm

Connection screen



U1	blue	Z	brown	U2	black
PE	green/yellow				

Charts: Air flow 60 Hz



Measured values

	U	f	n	P ₁	I	Ŷ	P _{fa}
	[V]	[Hz]	[min ⁻¹]	[W]	[A]	[m ³ /h]	[Pa]
1	230	60	2490	84	0.37	895	0
2	230	60	2265	90	0.39	715	70
3	230	60	2020	94	0.41	470	140
4	230	60	2100	93	0.40	265	220