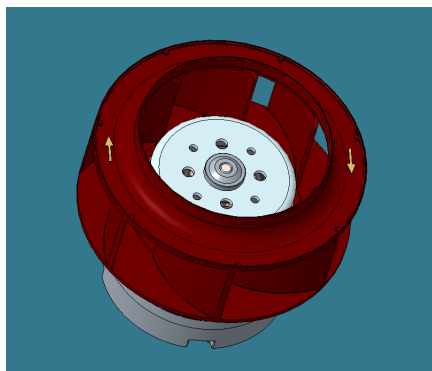


R3G133-8317078147
8317078147

EC centrifugal fan

backward curved



ASIA PACIFIC SHENGRUI LIMITED

Phone +00852 56261528

info@apacfan.com

www.apacfan.com

Nominal data

Type	R3G133-8317078147	
Motor	M3G055-CF	
Phase		1~
Nominal voltage	VAC	220
Nominal voltage range	VAC	200 .. 240
Frequency	Hz	50/60
Type of data definition		ml
Speed (rpm)	min ⁻¹	5550
Power input	W	100
Current draw	A	0.8
Min. ambient temperature	°C	-25
Max. ambient temperature	°C	55

ml = Max. load · me = Max. efficiency · fa = Running at free air · cs = Customer specs · cu = Customer unit
Subject to alterations



R3G133-8317078147
8317078147

EC centrifugal fan

backward curved

Technical features

Mass	1.4 kg
Size	133 mm
Surface of rotor	Thick layer passivated
Material of electronics housing	Die-cast aluminium
Material of impeller	PA plastic
Number of blades	7
Direction of rotation	Clockwise, seen on rotor
Type of protection	IP44 (Air inlet upward or horizontal)
Insulation class	"B"
Humidity (F)/environmental protection class (H)	H1
Max. permissible ambient motor temp. (transp./ storage)	+ 80 °C
Min. permissible ambient motor temp. (transp./storage)	- 40 °C
Mounting position	Any
Condensation drainage holes	None, open rotor
Operation mode	S1
Motor bearing	Ball bearing
Technical features	<ul style="list-style-type: none">- Tach output- Motor current limit- Soft start- PWM control input
Touch current acc. IEC 60990 (measuring network Fig. 4, TN system)	<= 3.5 mA
Motor protection	Locked-rotor protection
Cable exit	Variable
Protection class	I (if protective earth is connected by customer)
Product conforming to standard	GB12350
Approval	CCC

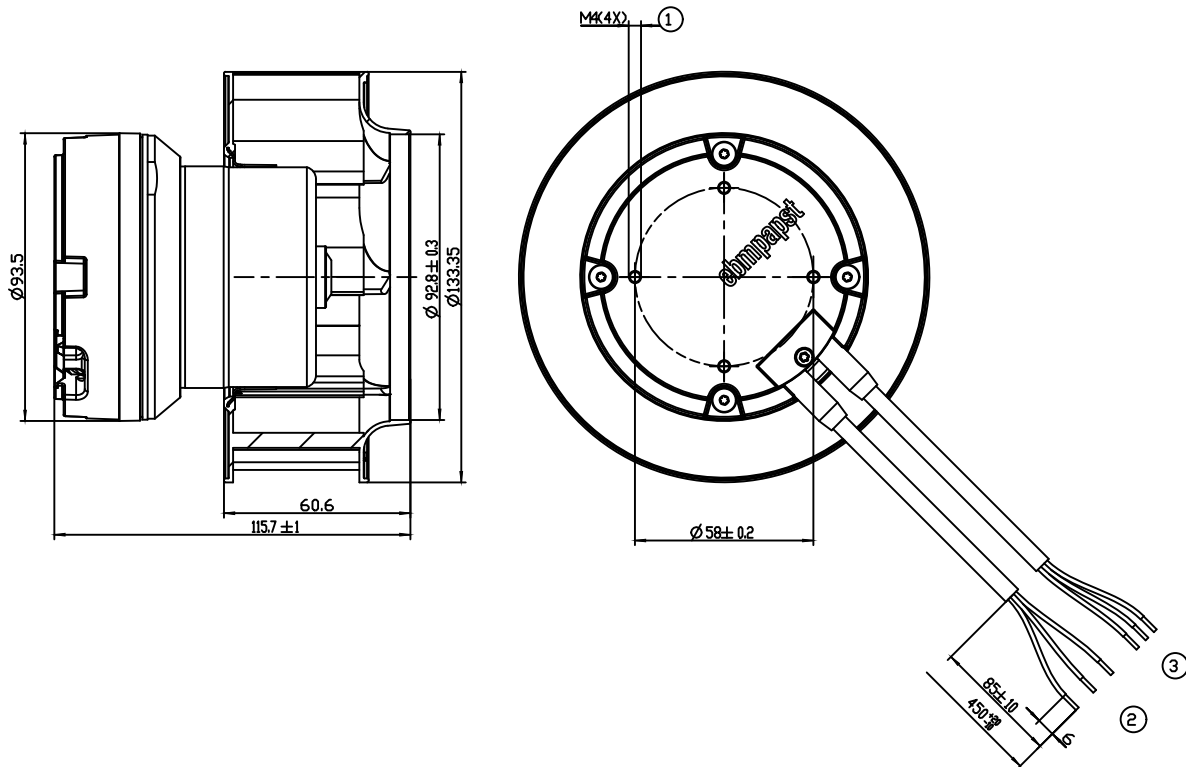


R3G133-8317078147
8317078147

EC centrifugal fan

backward curved

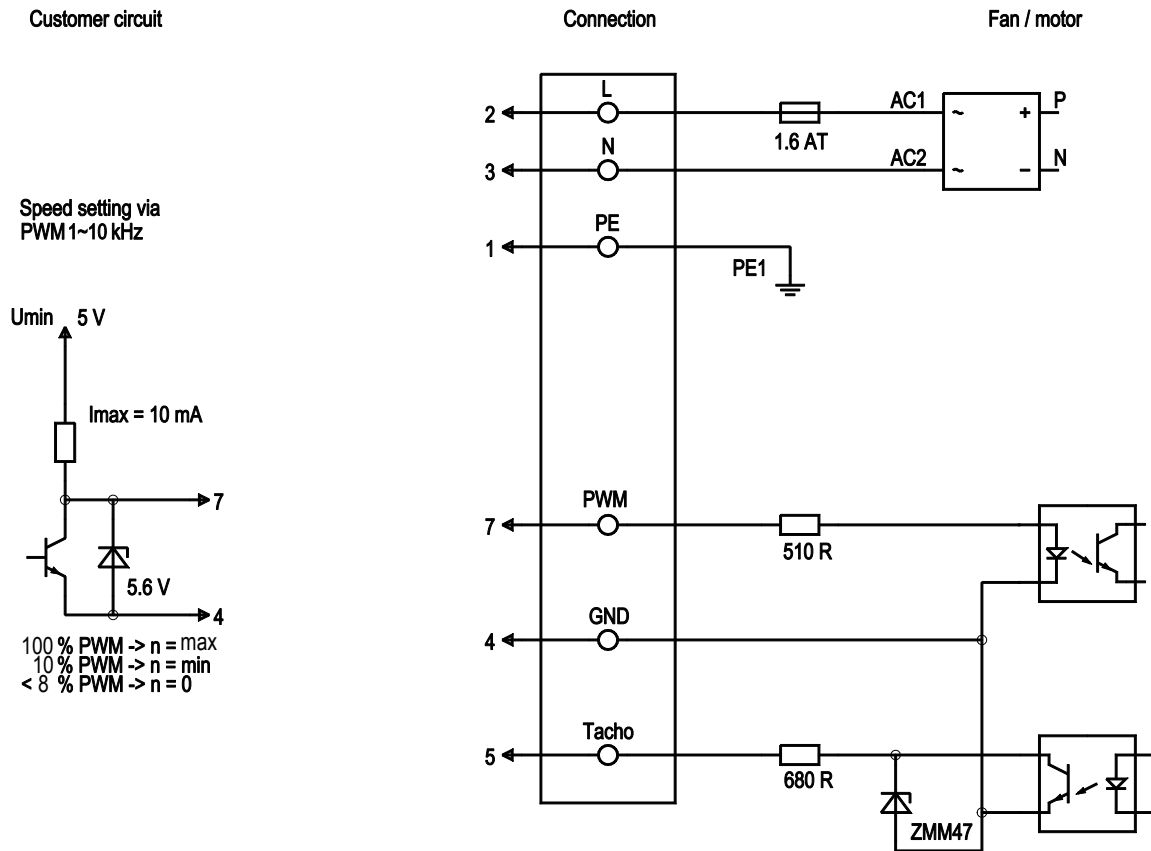
Product drawing



Accessory part: Inlet nozzle 09566-2-4013 not included in scope of delivery

- | | |
|---|-----------------------------------|
| 1 | Thread reach max. 5 mm |
| 2 | Cable PVC 3x 0.25 mm ² |
| 3 | Cable PVC 3x 0.5 mm ² |

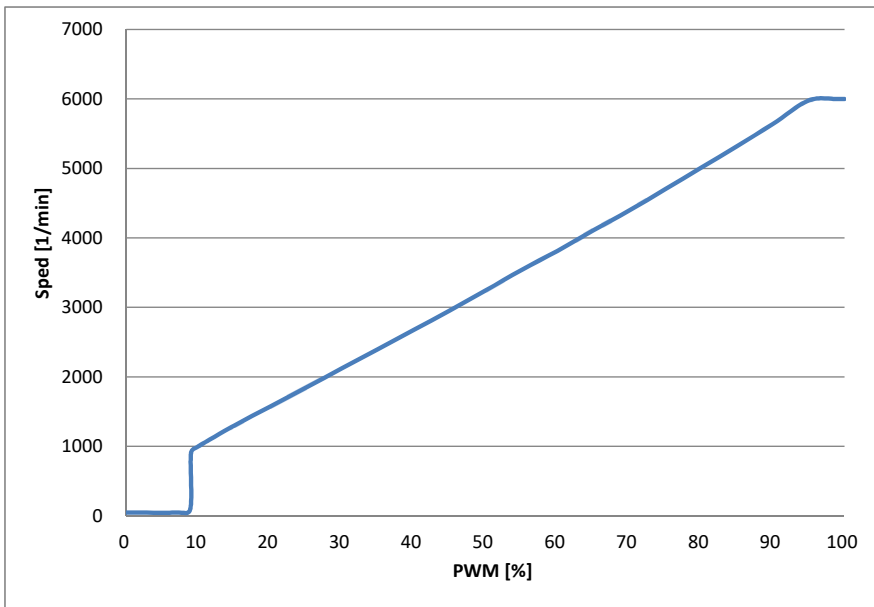
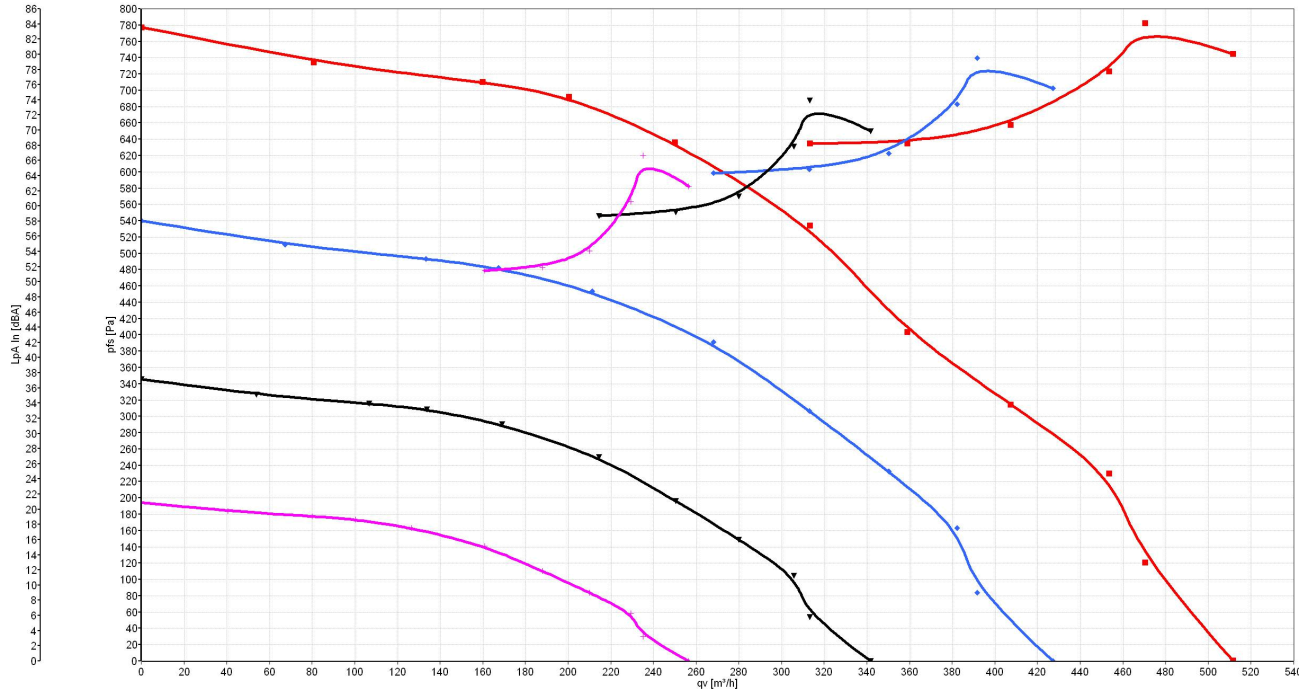
Connection screen



Line	No.	Signal	Colour	Function / assignment
	1	PE	green/yellow	Protective earth
	2	L	brown	Power supply 220 VAC, 50 - 60 Hz
	3	N	blue	Neutral conductor
	4	GND	blue	GND - Connection for control interface
	5	Tacho	white	Tach output: Open Collector, 1 pulse per revolution, electrically isolated
	7	PWM	yellow	PWM control input, electrically isolated

Charts: Air flow 50 Hz

Kennlinie	Idno	Typ	Idx.	U [V]	f [Hz]	C [uF]	Ust [V]	Versch.	Inst. Kat.	Bemerkung
■—■	10098	R3G133-8317078147	01I	220	50				A	n=6000; Rho=1.2;
◆—◆	10098	R3G133-8317078147	01I	220	50				A	n=5000; Rho=1.2;
▼—▼	10098	R3G133-8317078147	01I	220	50				A	n=4000; Rho=1.2;
◆—◆	10098	R3G133-8317078147	01I	220	50				A	n=3000; Rho=1.2;



PWM[%]	Speed[1/min]
0	0
9	0
10	1000
15	1300
20	1573
25	1846
30	2123
35	2400
40	2676
45	2955
50	3243
55	3540
60	3814
65	4110
70	4395
75	4700
80	5010
85	5320
90	5640
95	6000
100	6000

Test ID: 10098

Air performance measured as per ISO 5801 Installation category A. For detailed information on the measuring set-up, please contact ebm-papst. Suction side noise levels: LwA measured as per ISO 13347 / LpA measured with 1m distance to fan axis. The values given are valid under the measuring conditions mentioned above and may vary according to the actual installation situation. With any deviation from the standard set-up, the specific values have to be checked and reviewed with the unit installed.

