



ASIA PACIFIC SHENGRUI LIMITED
Phone +00852 56261528
info@apacshengrui.com
www.apacfan.com

Nominal data

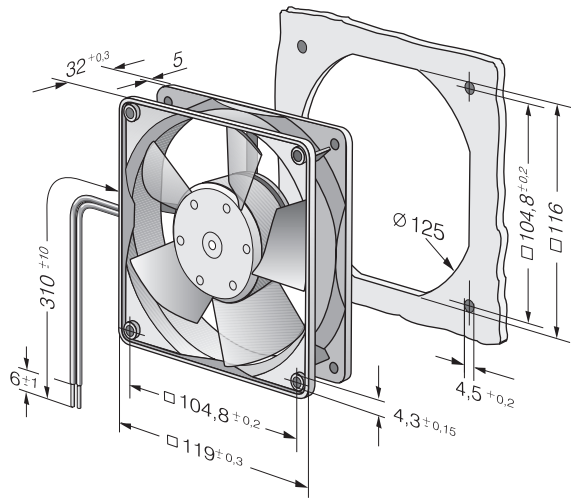
| Type | AC 4300 H | |
|--------------------------|-------------------|-----------|
| Phase | | 1~ |
| Nominal voltage | VAC | 115 |
| Nominal voltage range | VAC | 85 .. 265 |
| Frequency | Hz | 50 |
| Speed (rpm) | min ⁻¹ | 3400 |
| Power consumption | W | 12 |
| Min. ambient temperature | °C | -20 |
| Max. ambient temperature | °C | 70 |
| Air flow | m ³ /h | 204 |
| Sound power level | B | 6.4 |
| Sound pressure level | dB(A) | 51 |

ml = Max. load · me = Max. efficiency · fa = Free air · cs = Customer specification · ce = Customer equipment
Subject to change

Technical description

| | |
|--|---|
| General description | Usable with all line voltages between 85 and 265 VAC |
| Housing material | Glass-fiber reinforced PBTP plastic |
| Weight | 0.325 kg |
| Dimensions | 119 x 119 x 32 mm |
| Impeller material | Glass-fiber reinforced PA plastic |
| Airflow direction | Exhaust over struts |
| Direction of rotation | Clockwise, viewed toward rotor |
| Degree of protection | IP21 |
| Storage | Ball bearing |
| Service life L10 at 40 °C | 45000 h |
| Service life L10 at maximum temperature | 22500 h |
| Cable | With leads AWG 22, TR 64 |
| Motor protection | Protection against reverse polarity and blocked rotor. |
| Approval | UL, CSA, VDE |
| Option | Open-loop speed control, sensor and alarm signal; improved moisture protection or degree of protection IP54 |

Product drawing



Curves

