

RV 40-18/12 H

# DC centrifugal compact fan

single inlet



**ASIA PACIFIC SHENGRUI LIMITED**

Phone +00852 56261528

info@apacshengrui.com

www.apacfan.com

## Nominal data

Type	RV 40-18/12 H	
Nominal voltage	VDC	12
Nominal voltage range	VDC	9 .. 16
Speed	min <sup>-1</sup>	4800
Power input	W	4.5
Min. ambient temperature	°C	-20
Max. ambient temperature	°C	70
Air flow	m <sup>3</sup> /h	24
Sound power level	dB(A)	5.0

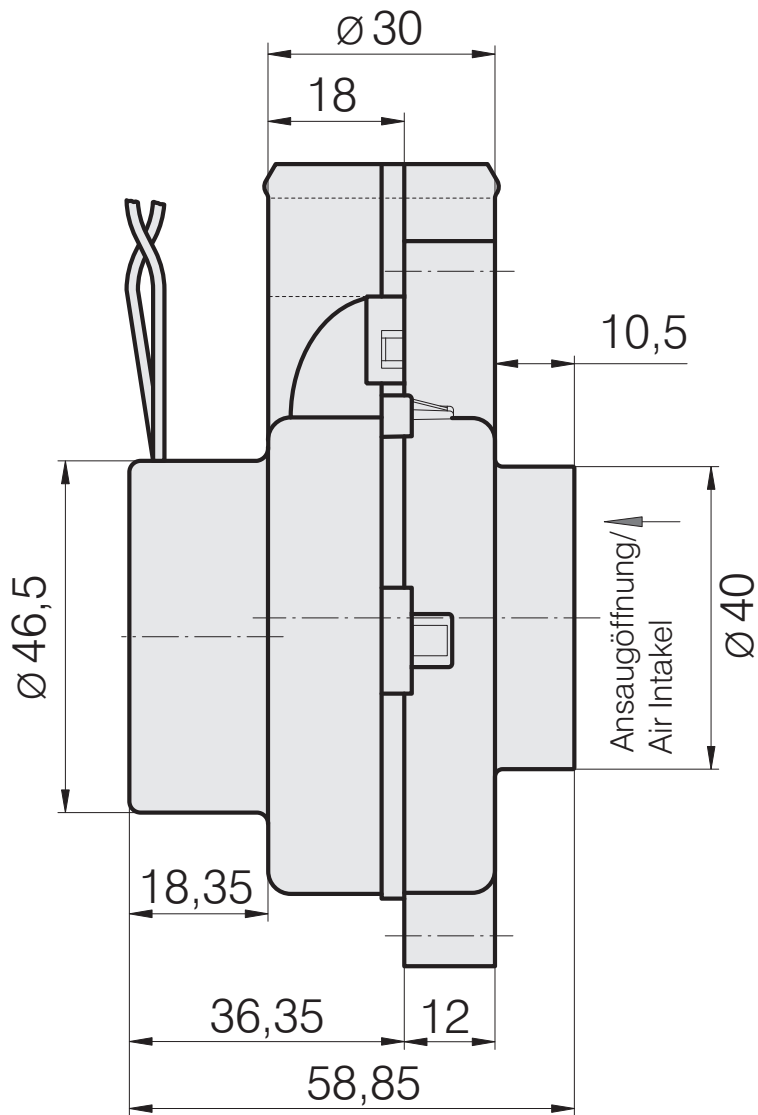
mi = max. load · me = max. efficiency · rfa = running at free air · cs = customer specs · cu = customer unit  
Subject to alterations



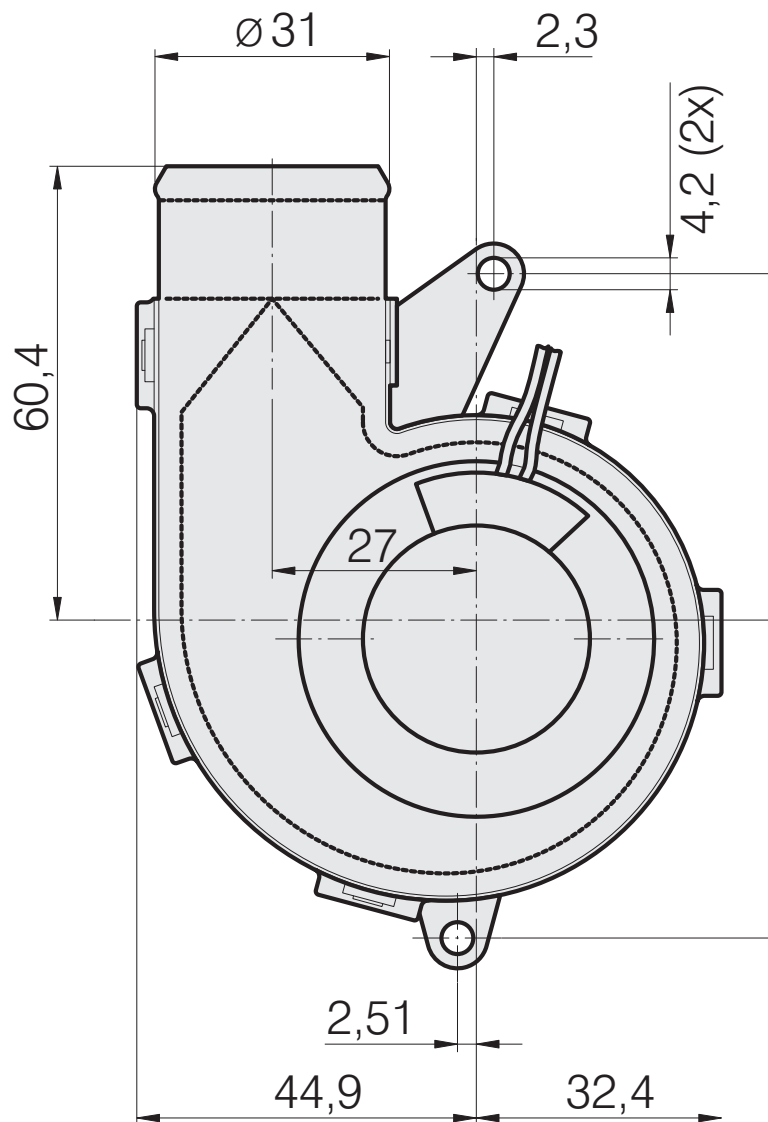
## Technical features

<b>Dimensions</b>	105 x 59 x 79 mm
<b>General description</b>	<p>Particular design features:</p> <p>Pressure-optimised blower.</p> <p>Motor has very low structure-borne noise.</p> <p>Forward-curved impeller.</p> <p>General features:</p> <p>Scroll housing and impeller made of fibreglass-reinforced plastic.</p> <p>Electronic commutation completely integrated.</p> <p>Protected against reverse polarity and locking.</p> <p>Direction of air flow: axial air intake, centrifugal air exhaust out of the outlet.</p> <p>Connection via single strands AWG 26, TR 64, bared and tin-plated.</p> <p>Mass: 100 g.</p>
<b>Connection line</b>	Single strands AWG 26, TR 64, bared and tin-plated.
<b>Locked-rotor protection</b>	Electronic blocking protection
<b>Direction of air flow</b>	Axial air intake, centrifugal air exhaust out of the outlet.
<b>Bearing</b>	Ball bearings
<b>Lifetime L10 at 40 °C</b>	50000 h
<b>Lifetime L10 at maximum temperature</b>	25000 h
<b>Mass</b>	0.100 kg
<b>Housing material</b>	Scroll housing of fibreglass-reinforced plastic.
<b>Material of impeller</b>	Fiberglass-reinforced plastic
<b>Motor protection</b>	Protected against reverse polarity and locking.
<b>Approval</b>	VDE, CSA, UL, CE

## Product drawing



Product drawing



Charts: Air flow

