

255 M

DC axial compact fan



ASIA PACIFIC SHENGRUI LIMITED

Phone +00852 56261528

info@apacshengrui.com

www.apacfan.com

Nominal data

Type	255 M	
Nominal voltage	VDC	5
Nominal voltage range	VDC	4.5 .. 5.5
Speed	min ⁻¹	6500
Power input	W	0.2
Min. ambient temperature	°C	-10
Max. ambient temperature	°C	70
Air flow	m ³ /h	2.3
Sound power level	B	< 3
Sound pressure level	dB(A)	5

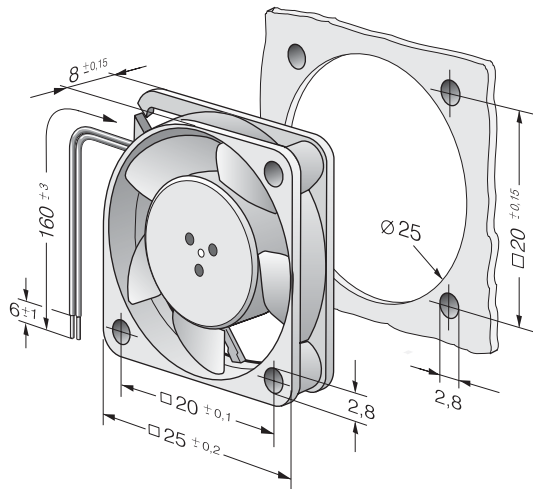
ml = Max. load · me = Max. efficiency · fa = Running at free air · cs = Customer specs · cu = Customer unit
Subject to alterations



Technical features

Mass	0.005 kg
Dimensions	25 x 25 x 8 mm
Material of impeller	Fiberglass-reinforced PA plastic
Housing material	Fiberglass-reinforced PBT plastic
Direction of air flow	Air exhaust over bars
Direction of rotation	Left, looking at rotor
Bearing	Sintec sleeve bearing system
Lifetime L10 at 20 °C	45000 h
Lifetime L10 at 60 °C	17500 h
Connection line	Single strands AWG 28, TR 64, bared and tin-plated
Motor protection	Protected against reverse polarity and locking.
Approval	VDE, CSA, UL, CE
Option	Special options; Speed signal Moisture protection

Product drawing



Charts: Air flow

