

**ASIA PACIFIC SHENGRUI LIMITED**

Phone +00852 56261528

info@apacshengrui.com

www.apacfan.com

**Nominal data**

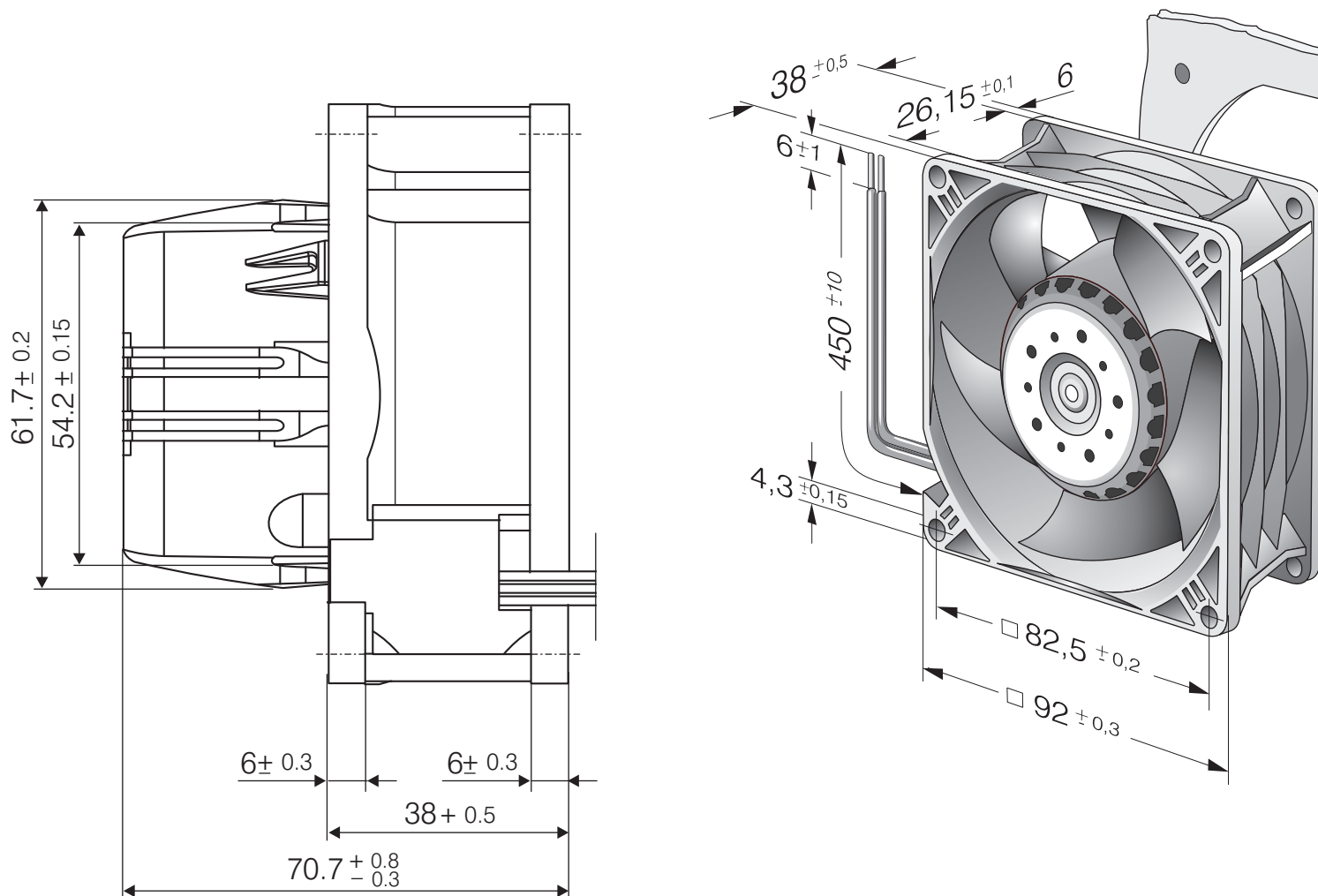
Type	AC 3200 JH	
Phase		1~
Nominal voltage	VAC	115
Nominal voltage range	VAC	85 .. 265
Frequency	Hz	50
Speed (rpm)	min <sup>-1</sup>	6800
Power consumption	W	12
Min. ambient temperature	°C	-20
Max. ambient temperature	°C	70
Air flow	m <sup>3</sup> /h	144
Sound power level	B	6.4
Sound pressure level	dB(A)	55

ml = Max. load · me = Max. efficiency · fa = Free air · cs = Customer specification · ce = Customer equipment  
Subject to change

**Technical description**

<b>General description</b>	Usable with all line voltages between 85 and 265 VAC
<b>Housing material</b>	Glass-fiber reinforced PBTP plastic
<b>Weight</b>	0.325 kg
<b>Dimensions</b>	92 x 92 x 38 mm
<b>Impeller material</b>	Glass-fiber reinforced PA plastic
<b>Airflow direction</b>	Exhaust over struts
<b>Direction of rotation</b>	Clockwise, viewed toward rotor
<b>Degree of protection</b>	IP20
<b>Storage</b>	Ball bearing
<b>Service life L10 at 40 °C</b>	70000 h
<b>Service life L10 at maximum temperature</b>	35000 h
<b>Cable</b>	With leads AWG 22, TR 64
<b>Motor protection</b>	Protected against locked rotor.
<b>Approval</b>	VDE, CSA, UL, CCC, CE
<b>Option</b>	Open-loop speed control, sensor and alarm signal; improved moisture protection or degree of protection IP54.

## Product drawing



## Curves: Air performance

