

ASIA PACIFIC SHENGRUI LIMITED

Phone +00852 56261528

info@apacshengrui.com

www.apacfan.com

Nominal data

| | | | | |
|-------------------------------|-------------------|------|------|---------|
| Type | W2E200-HH38-01 | | | |
| Motor | M2E068-BF | | | |
| Phase | | 1~ | 1~ | 1~ |
| Nominal voltage | VAC | 230 | 230 | 230 |
| Frequency | Hz | 50 | 60 | 60 |
| Type of data definition | | fa | fa | fa |
| Valid for approval / standard | | CE | CE | UL 2111 |
| Speed | min ⁻¹ | 2550 | 2800 | 2800 |
| Power input | W | 64 | 80 | 85 |
| Current draw | A | 0.29 | 0.35 | 0.36 |
| Motor capacitor | μF | 1.5 | 1.5 | 1.5 |
| Capacitor voltage | VDB | 450 | 450 | 450 |
| Max. back pressure | Pa | 100 | 120 | 120 |
| Min. ambient temperature | °C | -25 | -25 | -25 |
| Max. ambient temperature | °C | 60 | 65 | 65 |
| Starting current | A | 0.55 | 0.54 | 0.54 |

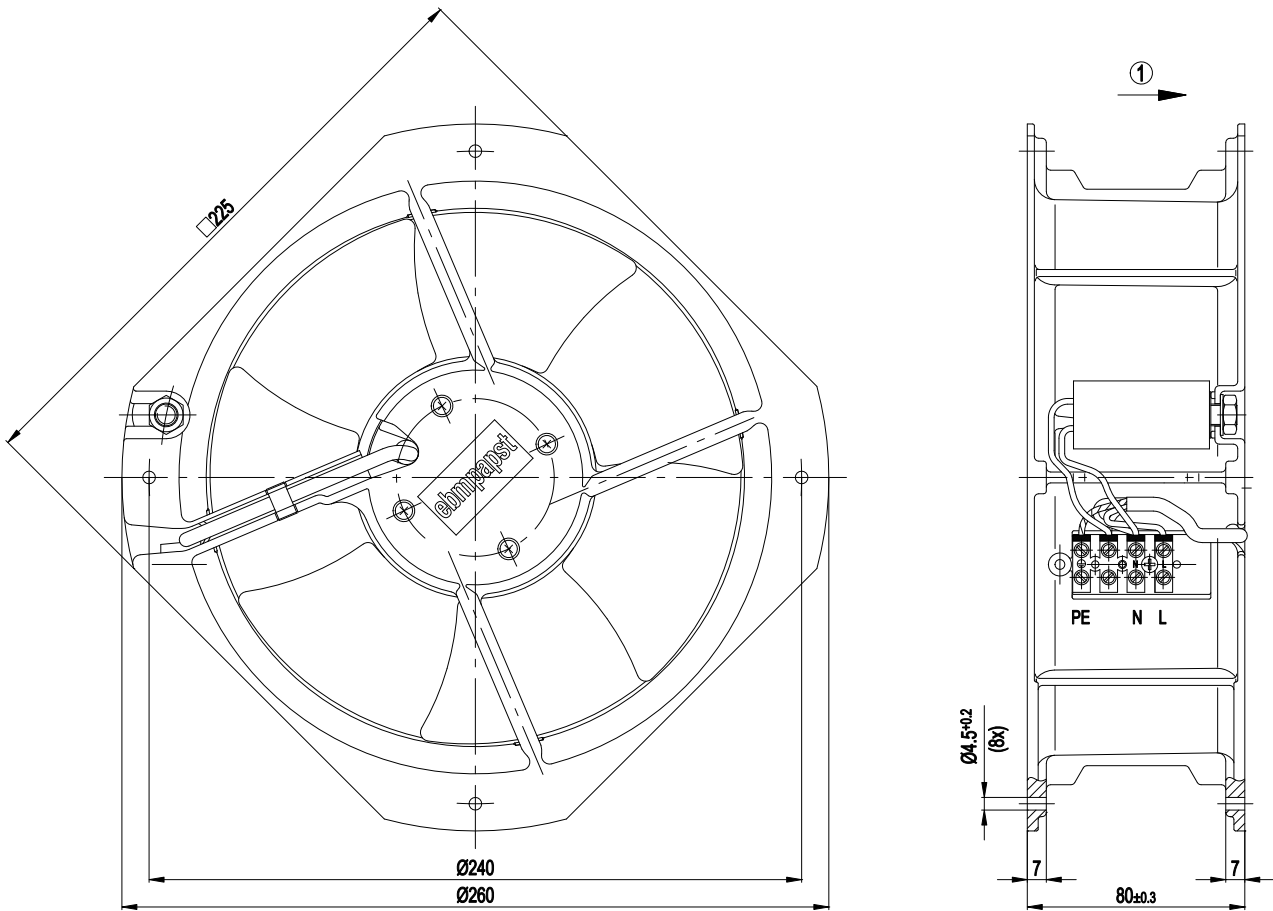
ml = Max. load · me = Max. efficiency · fa = Running at free air · cs = Customer specs · cu = Customer unit
Subject to alterations



Technical features

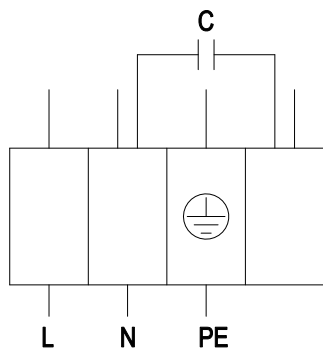
| | |
|---|---|
| Mass | 2.1 kg |
| Size | 200 mm |
| Surface of rotor | Coated in black |
| Material of blades | Sheet steel, coated in black |
| Material of wall ring | Die-cast aluminium |
| Number of blades | 9 |
| Direction of air flow | "V" |
| Direction of rotation | Counter-clockwise, seen on rotor |
| Type of protection | IP 44; Depending on installation and position |
| Insulation class | "B" |
| Humidity class | F0 |
| Max. permissible ambient motor temp. (transp./ storage) | + 80 °C |
| Min. permissible ambient motor temp. (transp./storage) | - 40 °C |
| Mounting position | Any |
| Condensate discharge holes | None |
| Operation mode | S1 |
| Motor bearing | Ball bearing |
| Touch current acc. IEC 60990 (measuring network Fig. 4, TN system) | < 0.75 mA |
| Electrical leads | Via terminal strips, integrated capacitor connected via terminal strips |
| Motor protection | Thermal overload protector (TOP) wired internally |
| Cable exit | Variable |
| Protection class | I (if protective earth is connected by customer) |
| Product conforming to standard | CE |
| Approval | CCC; GOST; VDE; CSA C22.2 Nr.113; UL 507 |

Product drawing



1 Direction of air flow "V"

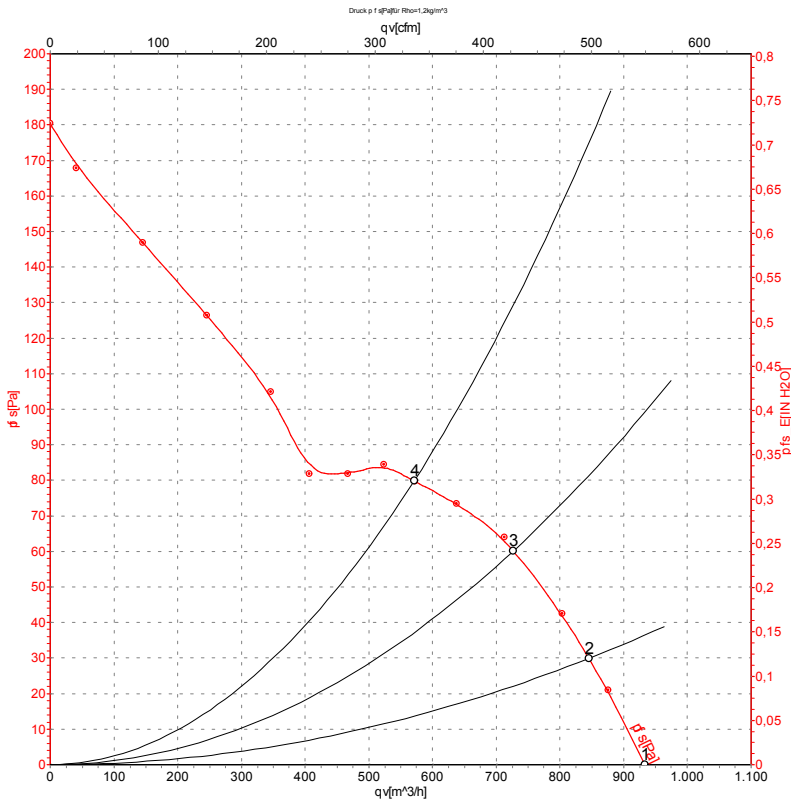
Terminal connections



| | | | | | |
|---|------|---|-------|----|--------------|
| L | blue | N | black | PE | green/yellow |
|---|------|---|-------|----|--------------|



Charts: Air flow 50 Hz



Measurement: LU-57318

Air performance measured as per ISO 5801 Installation category A. For detailed information on the measuring set-up, please contact ebm-papst. Suction-side noise levels: L_{wA} measured as per ISO 13347 / L_{pA} measured with 1m distance to fan axis. The values given are valid under the measuring conditions mentioned above and may vary according to the actual installation situation. With any deviation from the standard set-up, the specific values have to be checked and reviewed with the unit installed.

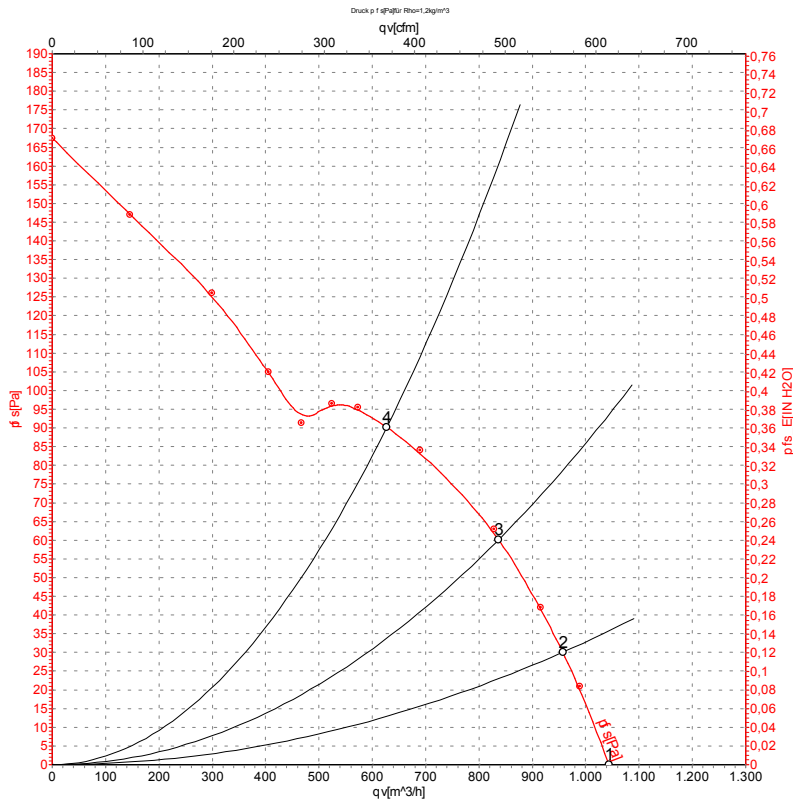
Measured values

| | U | f | n | P _e | I | qv | P _{fs} |
|---|-----|----|-------------------|----------------|------|-------------------|-----------------|
| | V | Hz | min ⁻¹ | W | A | m ³ /h | Pa |
| 1 | 230 | 50 | 2550 | 64 | 0.29 | 935 | 0 |
| 2 | 230 | 50 | 2500 | 67 | 0.32 | 845 | 30 |
| 3 | 230 | 50 | 2450 | 70 | 0.32 | 725 | 60 |
| 4 | 230 | 50 | 2410 | 72 | 0.33 | 570 | 80 |

U = Supply voltage · f = Frequency · n = Speed · P_e = Power input · I = Current draw · qv = Air flow · P_{fs} = Pressure increase



Charts: Air flow 60 Hz



Measurement: LU-57319

Air performance measured as per ISO 5801 Installation category A. For detailed information on the measuring set-up, please contact ebm-papst. Suction-side noise levels: LwA measured as per ISO 13347 / LpA measured with 1m distance to fan axis. The values given are valid under the measuring conditions mentioned above and may vary according to the actual installation situation. With any deviation from the standard set-up, the specific values have to be checked and reviewed with the unit installed.

Measured values

| | U | f | n | P _e | I | qv | P _{fs} |
|---|-----|----|-------------------|----------------|------|-------------------|-----------------|
| | V | Hz | min ⁻¹ | W | A | m ³ /h | Pa |
| 1 | 230 | 60 | 2800 | 80 | 0.35 | 1045 | 0 |
| 2 | 230 | 60 | 2775 | 81 | 0.35 | 955 | 30 |
| 3 | 230 | 60 | 2685 | 84 | 0.37 | 835 | 60 |
| 4 | 230 | 60 | 2575 | 88 | 0.38 | 625 | 90 |

U = Supply voltage · f = Frequency · n = Speed · P_e = Power input · I = Current draw · qv = Air flow · P_{fs} = Pressure increase

