

**ASIA PACIFIC SHENGRUI LIMITED**  
 Phone +00852 56261528  
 info@apacshengrui.com  
 www.apacfan.com

### Nominal data

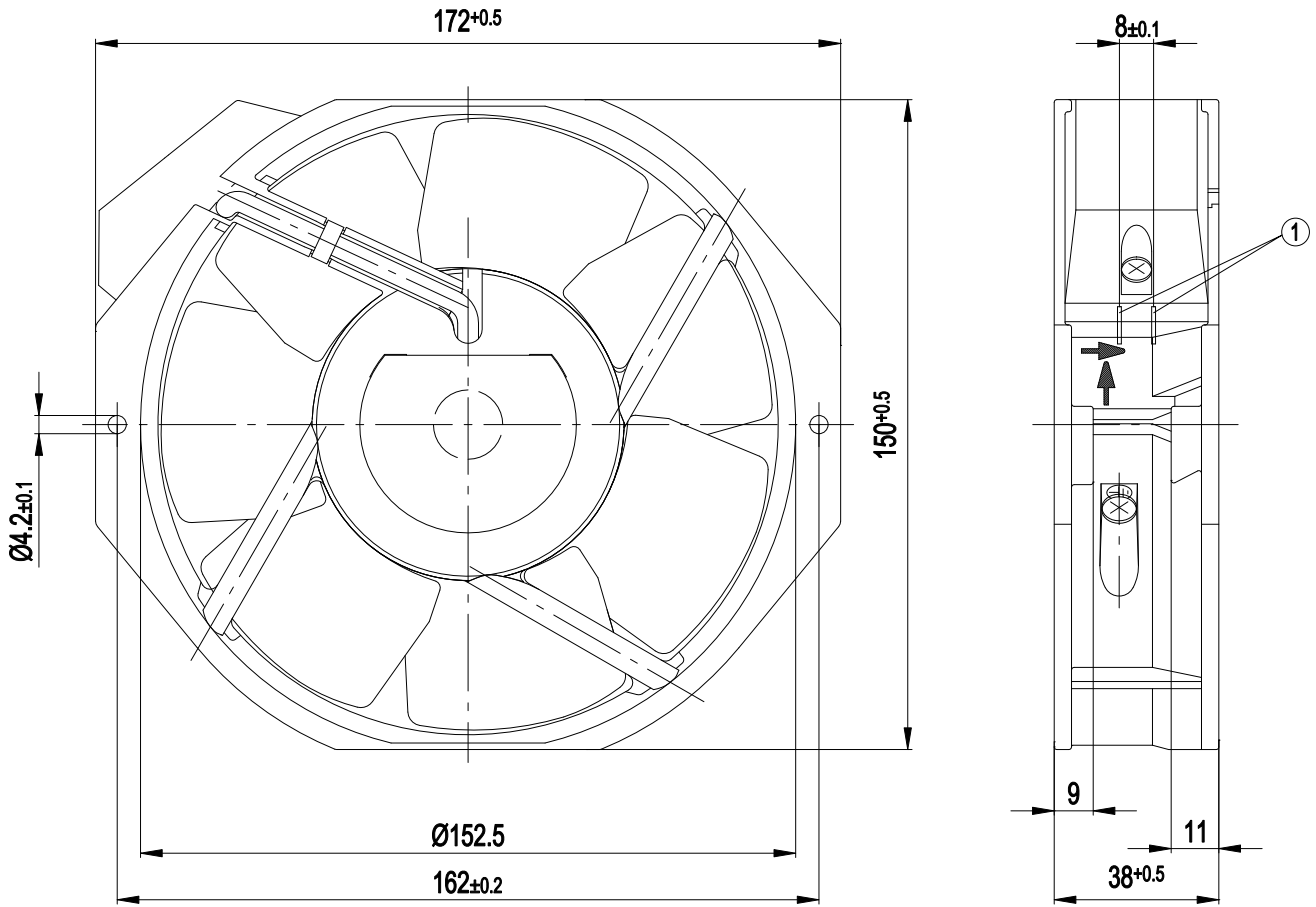
<b>Type</b>	<b>W2E142-BB01-01</b>		
<b>Motor</b>	<b>M2E052-BA</b>		
Phase		1~	1~
Nominal voltage	[V]	230	230
Frequency	[Hz]	50	60
Type of data definition		rfa	rfa
Valid for approval / standard		CE	CE
Speed	[min <sup>-1</sup> ]	2800	3350
Power input	[W]	27	28
Current draw	[A]	0.12	0.13
Motor capacitor	[μF]	1	1
Capacitor voltage	[VDB]	400	400
Capacitor standard		P0 (CE)	P0 (CE)
Max. ambient temperature	[°C]	55	65

ml = max. load · me = max. efficiency · rfa = running at free air · cs = customer specs · cu = customer unit  
 Subject to alterations

### Technical features

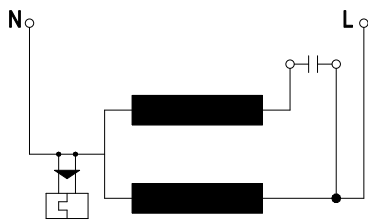
Leakage current	< 0.75 mA
Size	142 mm
Operation mode	S1
Direction of rotation	Counter-clockwise, seen on rotor
Mounting position	Any
Electrical leads	With plug
Direction of air flow	"V"
Insulation class	"B"
Condensate discharge holes	None
Bearing motor	Ball bearing
Mass	0.8 kg
Material of impeller	Sheet steel, coated in black
Material of wall ring	Die-cast aluminium, coated in black
Motor protection	Thermal overload protector (TOP) wired internally
Product conforming to standard	CE; EN 60335-1
Surface of rotor	Coated in black
Number of blades	7
Type of protection	IP 22; Depending on installation and position
Protection class	I (if earth wire is connected by customer)
Max. permissible ambient motor temp. (transp./ storage)	+ 80 °C
Min. permissible ambient motor temp. (transp./storage)	- 40 °C
Approval	CCC; CSA C22.2 Nr.113; GOST; UL 507; VDE

## Product drawing

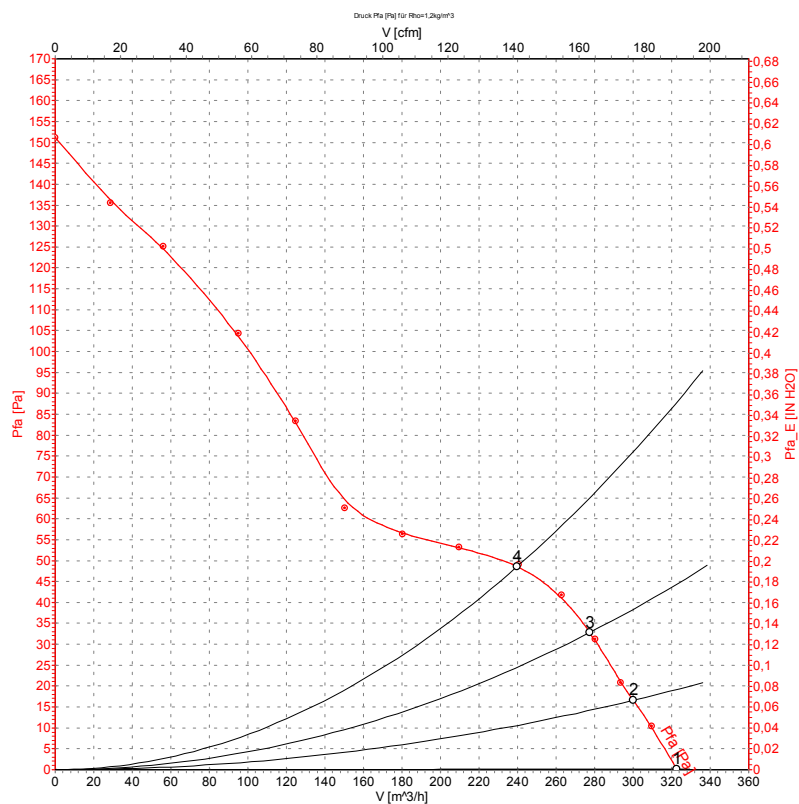


1 2x flat plug 2.8 x 0.5 mm

## Connection screen



## Charts: Air flow 50 Hz

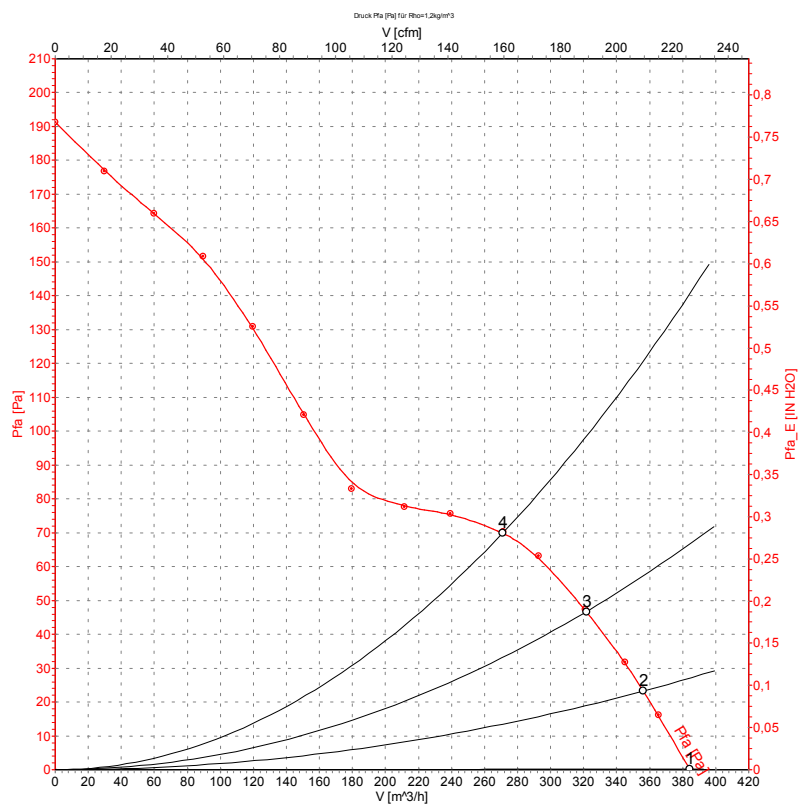


Measurement: LU-63820

### Measured values

	U	f	n	P <sub>1</sub>	I	$\hat{V}$	P <sub>fa</sub>
	[V]	[Hz]	[min <sup>-1</sup> ]	[W]	[A]	[m³/h]	[Pa]
1	230	50	2830	27	0.12	320	0
2	230	50	2810	27	0.12	300	17
3	230	50	2795	27	0.12	275	33
4	230	50	2775	27	0.12	240	50

## Charts: Air flow 60 Hz



Measurement: LU-63821

### Measured values

	U	f	n	P <sub>1</sub>	I	$\hat{V}$	P <sub>fa</sub>
	[V]	[Hz]	[min <sup>-1</sup> ]	[W]	[A]	[m <sup>3</sup> /h]	[Pa]
1	230	60	3350	28	0.13	385	0
2	230	60	3310	29	0.13	355	23
3	230	60	3270	30	0.13	320	47
4	230	60	3230	31	0.14	270	70