

ASIA PACIFIC SHENGRUI LIMITED

Phone +00852 56261528

info@apacshengrui.com

www.apacfan.com

Nominal data

Type	R3G630-RB32-03	
Motor	M3G150-IF	
Phase		3~
Nominal voltage	VAC	400
Nominal voltage range	VAC	380 .. 480
Frequency	Hz	50/60
Method of obtaining data		ml
Status		prelim.
Speed (rpm)	min ⁻¹	1400
Power consumption	W	3600
Current draw	A	5.5
Min. ambient temperature	°C	-40
Max. ambient temperature	°C	40

ml = Max. load · me = Max. efficiency · fa = Free air · cs = Customer specification · ce = Customer equipment
Subject to change

Data according to Commission Regulation (EU) 327/2011

		Actual	Req. 2015			
01 Overall efficiency η_{es}	%	63.9	57.3	09 Power consumption P_{ed}	kW	3.58
02 Measurement category		A		09 Air flow q_v	m ³ /h	10895
03 Efficiency category		Static		09 Pressure increase p_{fs}	Pa	725
04 Efficiency grade N		68.6	62	10 Speed (rpm) n	min ⁻¹	1405
05 Variable speed drive		Yes		11 Specific ratio [*]		1.01

Data obtained at optimum efficiency level.

The ErP data is determined using a motor-impeller combination in a standardized measurement setup.

^{*} Specific ratio = $1 + p_{fs} / 100\,000\text{ Pa}$

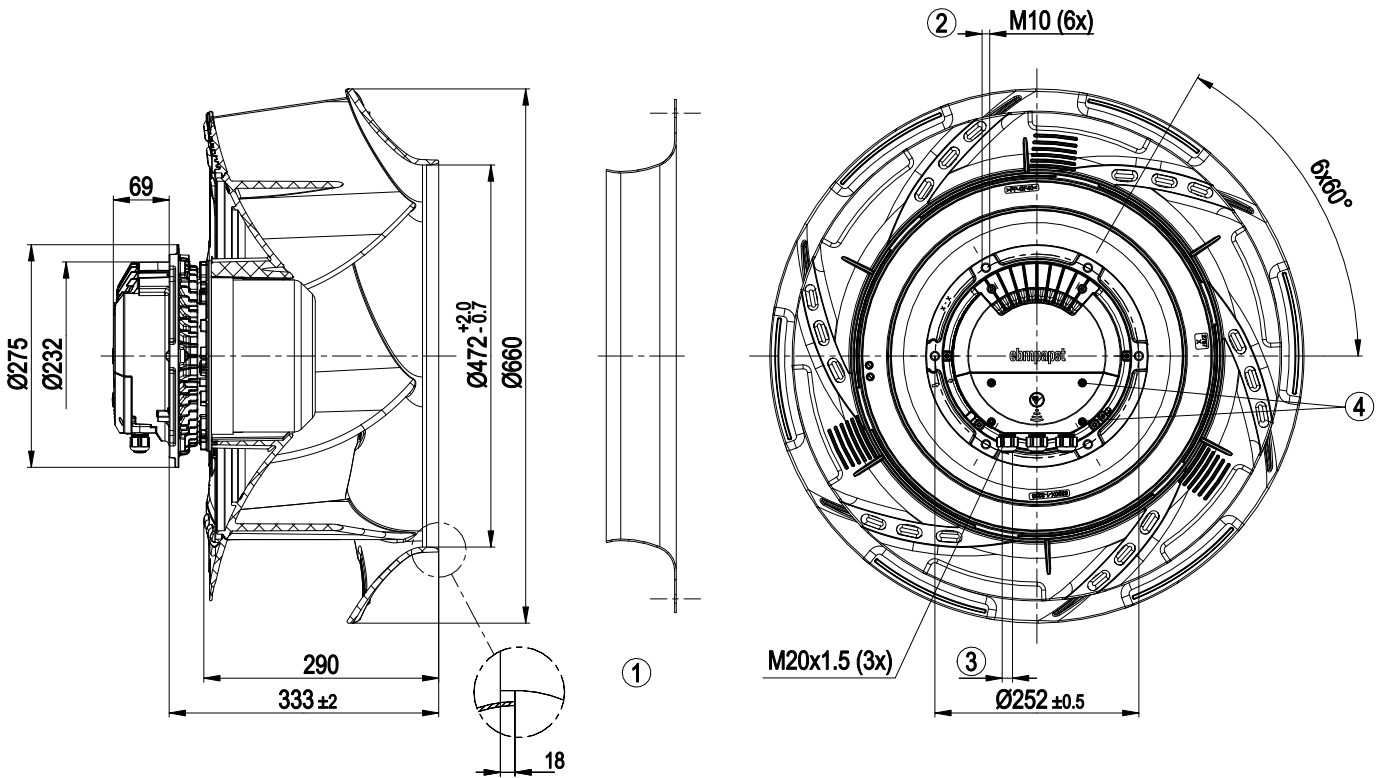
LU-181577



Technical description

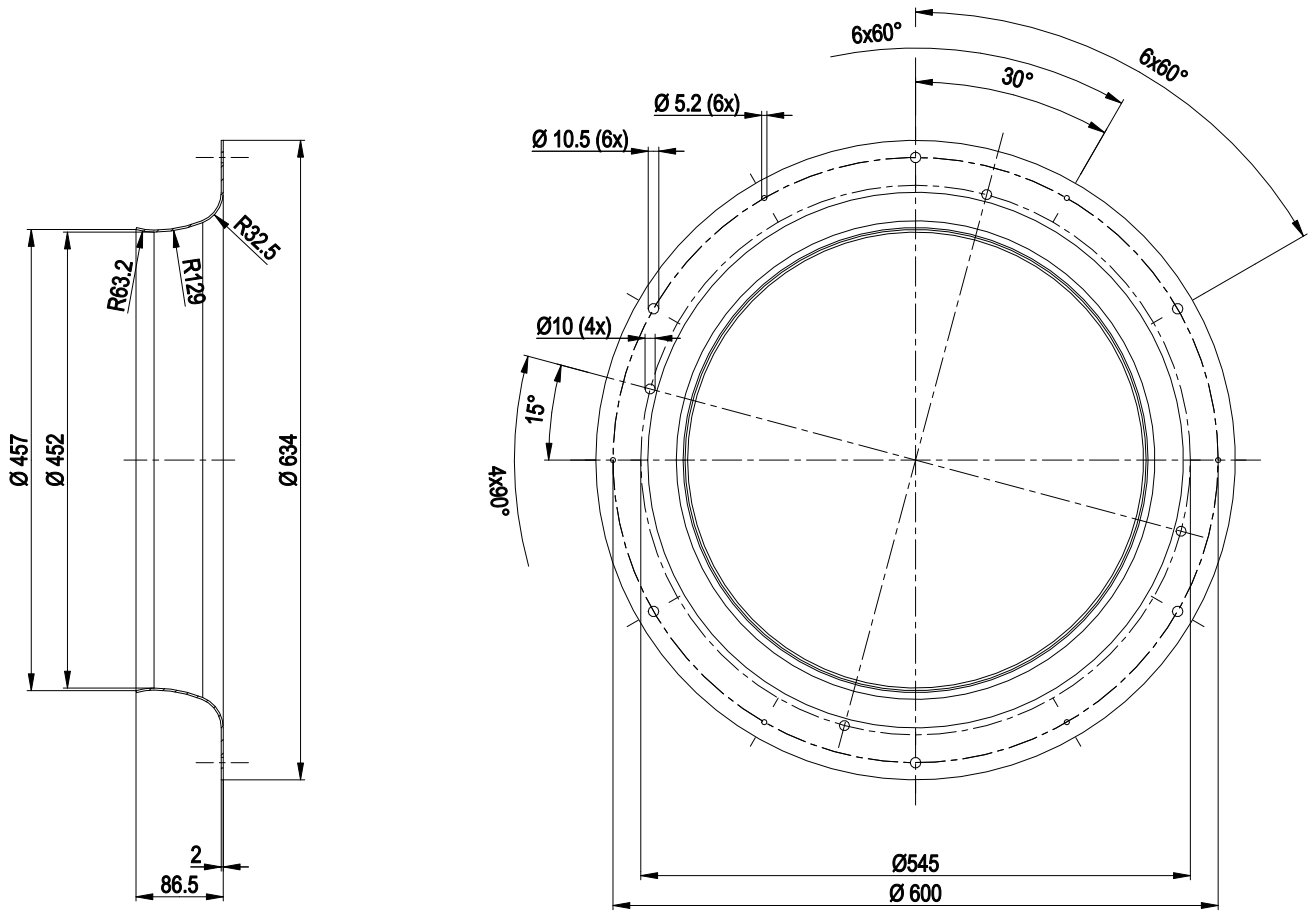
Weight	29.8 kg
Size	630 mm
Motor size	150
Rotor surface	Painted black
Electronics housing material	Die-cast aluminum
Impeller material	PP plastic
Number of blades	6
Direction of rotation	Clockwise, viewed toward rotor
Degree of protection	IP55
Insulation class	"F"
Moisture (F) / Environmental (H) protection class	H1
Ambient temperature note	Occasional start-up at temperatures between -40°C and -25°C is permitted. For continuous operation at ambient temperatures below -25°C (such as refrigeration applications), use must be made of a fan design with special low-temperature bearings.
Max. permitted ambient temp. for motor (transport/storage)	+80 °C
Min. permitted ambient temp. for motor (transport/storage)	-40 °C
Installation position	Shaft horizontal or rotor on bottom; rotor on top on request
Condensation drainage holes	On rotor side
Mode	S1
Motor bearing	Ball bearing
Technical features	<ul style="list-style-type: none"> - Operation and alarm display with LED - External 15-50 VDC input (parameterization) - Alarm relay - Integrated PI controller - Configurable inputs/outputs (I/O) - MODBUS V6.0 - Motor current limitation - RFID - ISO 15693 compatible - RS-485 MODBUS-RTU - Soft start - Voltage output 3.3-24 VDC, Pmax = 800 mW - Control interface with SELV potential safely disconnected from the mains - Thermal overload protection for electronics/motor - Line undervoltage / phase failure detection
EMC immunity to interference	According to EN 61000-6-2 (industrial environment)
EMC interference emission	According to EN 61000-6-3 (household environment), except EN 61000-3-2 for professionally used equipment with a total rated power greater than 1 kW
Touch current according to IEC 60990 (measuring circuit Fig. 4, TN system)	<= 3.5 mA
Electrical hookup	Terminal box
Motor protection	Reverse polarity and locked-rotor protection
Protection class	I (with customer connection of protective earth)
Conformity with standards	EN 61800-5-1; CE
Approval	CSA C22.2 No. 77 + CAN/CSA-E60730-1; EAC; UL 1004-7 + 60730-1

Product drawing



1	Accessory part: inlet ring 63300-2-4013 not included in scope of delivery
2	Max. clearance for screw 20 mm
3	Cable diameter min. 4 mm, max. 10 mm, tightening torque 2 ± 0.3 Nm
4	Tightening torque 1.5 ± 0.2 Nm

Accessory part

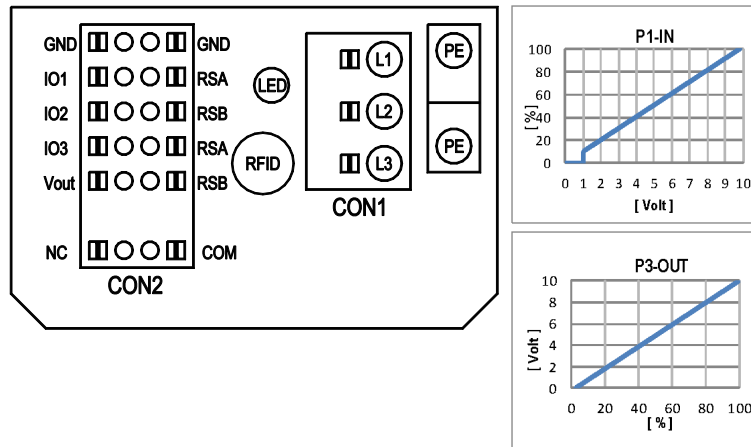


Accessory part: inlet ring 63300-2-4013 not included in scope of delivery

EC centrifugal fan - RadiCal

backward-curved, single-intake

Connection diagram



No.	Conn.	Designation	Function/assignment
	CON1	L1, L2, L3	Power supply, phase, see nameplate for voltage range
	PE	PE	Protective earth
	CON2	RSA	RS485 interface for MODBUS, RSA; SELV
	CON2	RSB	RS485 interface for MODBUS, RSB; SELV
	CON2	GND	Reference ground for control interface, SELV
	CON2	IO1	Function parameterizable (see "Optional interface functions" table) Factory setting: Digital input - high active, function: Disable input, SELV - inactive: Pin open or applied voltage < 1.5 VDC - active: applied voltage 3.5-50 VDC Reset function: Triggering of error reset on change of state from "enabled" to "disabled"
	CON2	IO2	Function parameterizable (see "Optional interface functions" table) Factory setting: Analog input 0-10 V / PWM, Ri=100 kΩ, function: Set value Characteristic curve parameterizable (see input characteristic curve P1-IN), SELV
	CON2	IO3	Function parameterizable (see "Optional interface functions" table) Factory setting: Analog output 0-10 V, max. 5 mA, function: Fan modulation level Characteristic curve parameterizable (see output characteristic curve P3-OUT), SELV
	CON2	Vout	Voltage output 3.3-24 VDC ±5%, Pmax=800 mW, voltage parameterizable Factory setting: 10 VDC short-circuit-proof, supply for external devices, SELV alternatively: 15-50 VDC input for parameterization via MODBUS without line voltage
	CON2	COM	Status relay, floating status contact, common connection, contact rating 250 VAC / 2 A (AC1) / min. 10 mA, reinforced insulation on supply side and on control interface side
	CON2	NC	Status relay, floating status contact, break for failure
		LED	green: status = good, ready for operation orange: status = warning red: status = failure
		P1-IN	Input characteristic curve
		P3-OUT	Output characteristic curve

Terminal/plug assignment

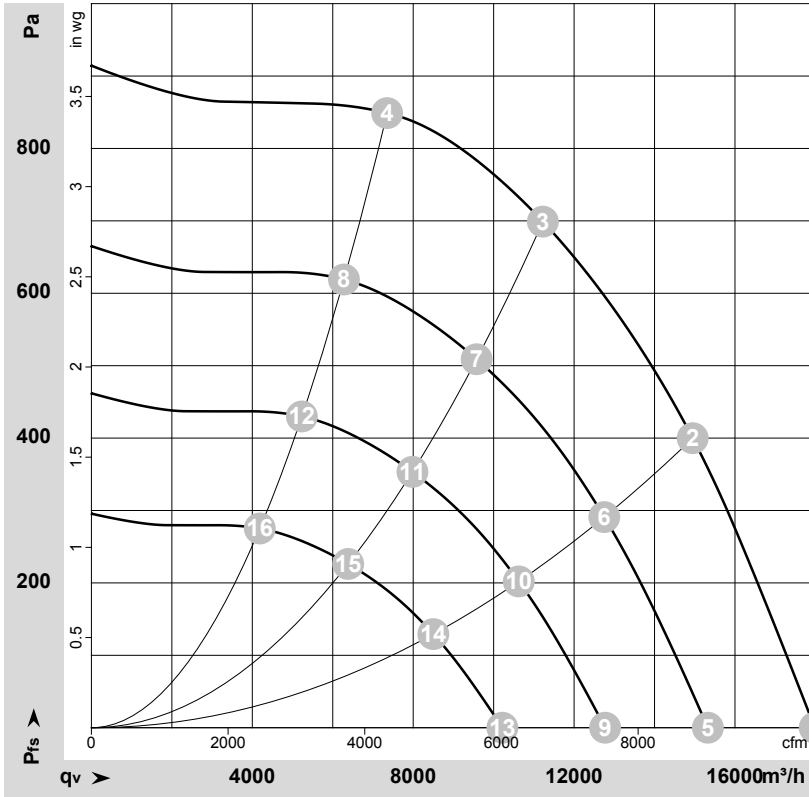
	configurable IO functions: normal / inverse	MODBUS Register for IO mode configuration	electrical specification	configurable IO mode	
CON2	<ul style="list-style-type: none"> ○ 	D158 [0]	<p>active: applied voltage 3.5-50VDC, SELV Ri=100K, characteristic curve parameterizable, $f_{PWM}=1k..10kHz$, SELV Umax=50VDC, Imax=20mA, SELV</p> <p>Umax=50VDC, Imax=20mA, SELV</p>		
IO1	<ul style="list-style-type: none"> ○ Ain1 0-10V/PWM: analog input 		<p>not active: pin open or applied voltage < 1.5VDC active: applied voltage 3.5-50VDC, SELV</p>		
IO2	<ul style="list-style-type: none"> ○ 		<p>Ri=100K, characteristic curve parameterizable, $f_{PWM}=1k..10kHz$, SELV Ri=125R, characteristic curve parameterizable, SELV</p>		
IO3	<ul style="list-style-type: none"> ○ PWMIn3: digital input ○ ○ 		<p>not active: pin open or applied voltage < 1.5VDC active: applied voltage 3.5-50VDC, SELV</p> <p>active: pin open or applied voltage 3.5-50VDC not active: applied voltage < 1.5VDC, SELV</p> <p>40Hz - 10kHz, characteristics parameterizable</p> <p>not active: pin open or applied voltage 3.5-50VDC active: applied voltage < 1.5VDC, SELV function parameterizable, max. 5mA, max output frequency 300Hz, SELV</p> <p>0-10V max. 5mA, max output frequency 300Hz, SELV 0-10V max. 5mA, max output frequency 300Hz, SELV</p>		
			MODBUS RTU, specification V6.0, SELV		
Vout	<p>alternatively: input auxiliary power supply for parameterization via RS485/MODBUS RTU without line voltage</p>				

○ configurable option

For further information and additional functions see EC Control Software, Fan-Set-App, or MODBUS Parameter Specification V6.0



Curves: Air performance 50 Hz



$\rho = 1.15 \text{ kg/m}^3 \pm 2 \%$

Measurement: LU-181577-1

Air performance measured according to ISO 5801 installation category A. For detailed information on the measurement setup, contact ebmpapst. Intake sound level: Sound power level according to ISO 13347 / sound pressure level measured at 1 m distance from fan axis. The values given are valid under the specified measuring conditions and may vary due to conditions of installation. For deviations from the standard configuration, the parameters have to be checked on the installed unit.

Measured values

	U	f	n	P _{ed}	I	LpA _{in}	LwA _{in}	LwA _{out}	q _v	P _{fs}	q _v	P _{fs}
	V	Hz	min ⁻¹	W	A	dB(A)	dB(A)	dB(A)	m ³ /h	Pa	cfm	in. wg
1	400	50	1400	2317	3.60	82	90	94	17980	0	10585	0.00
2	400	50	1400	3245	4.98	76	83	88	14950	400	8800	1.61
3	400	50	1400	3600	5.50	73	80	86	11225	700	6605	2.81
4	400	50	1400	3265	5.02	77	84	88	7350	850	4325	3.41
5	400	50	1200	1435	2.23	78	86	90	15325	0	9020	0.00
6	400	50	1200	2010	3.09	72	79	84	12750	294	7505	1.18
7	400	50	1200	2219	3.40	69	76	82	9575	511	5635	2.05
8	400	50	1200	2033	3.12	73	80	84	6280	619	3695	2.49
9	400	50	1000	830	1.29	74	81	85	12770	0	7515	0.00
10	400	50	1000	1163	1.79	67	74	79	10625	204	6255	0.82
11	400	50	1000	1284	1.97	64	71	77	7980	355	4695	1.43
12	400	50	1000	1177	1.81	68	76	80	5230	430	3080	1.73
13	400	50	800	425	0.66	68	75	80	10215	0	6015	0.00
14	400	50	800	595	0.91	61	68	74	8500	131	5005	0.53
15	400	50	800	658	1.01	59	66	71	6385	227	3755	0.91
16	400	50	800	602	0.93	63	70	74	4185	275	2465	1.10

U = Voltage · f = Frequency · n = Speed (rpm) · P_{ed} = Power consumption · I = Current draw · LpA_{in} = Sound pressure level intake side · LwA_{in} = Sound power level intake side
LwA_{out} = Sound power level outlet side · q_v = Air flow · P_{fs} = Pressure increase