

ASIA PACIFIC SHENGRUI LIMITED
Phone +00852 56261528
info@apacshengrui.com
www.apacfan.com



The engineer's choice

ebmpapst

6424

INDEX

1	General	3
2	Mechanics	3
2.1	General	3
2.2	Connections	3
3	Operating Data	4
3.1	Operating Data - Electrical Interface - Input	4
3.2	Electrical Operating Data	5
3.3	Operating Data - Electrical Interface -Output	5
3.4	Electrical Features	6
3.5	Aerodynamic	7
3.6	Sound Data	8
4	Environment	8
4.1	General	8
4.2	Climatic requirements*)	8
5	Safety	9
5.1	Electrical Safety	9
5.2	Approval Tests	9
6	Reliability	9
6.1	General	9

1 General

Fan type	Fan	
Rotational direction looking at rotor	counterclockwise	
Airflow direction	Air outlet over struts	
Bearing system	Ball bearing	
Mounting position	any	

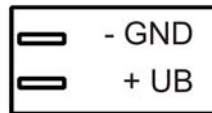
2 Mechanics

2.1 General

Width	150,0 mm	
Depth	51,0 mm	
Diameter	172,0 mm	
Weight	0,760 kg	
Housing material	Metal	
Impeller material	Plastic	
Max. torque when mounted across both mounting flanges	wire outlet corner: 260 Ncm remaining corners: 260 Ncm	
Screw size	ISO 4762 - M4 degreased, without an additional brace and without washer	

2.2 Connections

Electrical connection	Plug	
Length of lead wire		
Tolerance		
Wire gauge (AWG)		
Insulation diameter		



3 Operating Data

3.1 Operating Data - Electrical Interface - Input

Control input	None
---------------	------

3.2 Electrical Operating Data

Measurement conditions: Normal air density = 1,2 kg/m³; Temperature 23°C +/- 3°C; Motor axis horizontal; warm-up time before measuring 5 minutes (unless otherwise specified). In the intake and outlet area should not be any solid obstruction within 0,5 m.

$\Delta p = 0$: corresp. to free air flow (see section 3.5)
I: corresp. to arithm. mean current value

Features	Condition	Symbol	Values		
Voltage range	$\Delta p = 0$	U	12,0 V		28,0 V
Nominal voltage	$\Delta p = 0$	U_N		24,0 V	
Power consumption	$\Delta p = 0$	P	3,1 W	15,6 W	21,1 W
Tolerance	0001		+/- 25,0 %	+/- 25,0 %	+/- 20,0 %
Current consumption	$\Delta p = 0$	I	260 mA	650 mA	755 mA
Tolerance	0001		+/- 25,0 %	+/- 25,0 %	+/- 20,0 %
Speed	$\Delta p = 0$	n	1.750 1/min	3.400 1/min	3.850 1/min
Tolerance	0001		+/- 10,0 %	+/- 10,0 %	+/- 10,0 %
Starting current consumption				4.000 mA	

No inrush current means: Inrush current is mainly affected by length and kind of connecting line 120uF

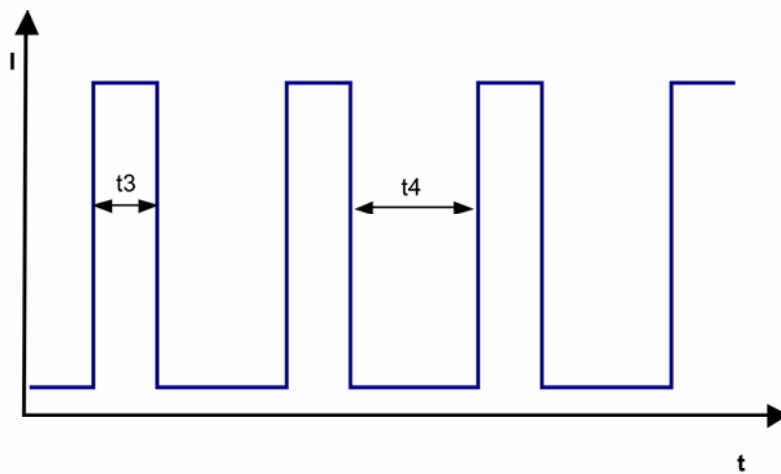
3.3 Operating Data - Electrical Interface -Output

Tacho type	None
------------	------

Alarm type	None
------------	------

3.4 Electrical Features

Electronic function	None	
Reversed polarity protection Max. residual current at U_n	Rectifying diode $I_F \leq 10 \text{ mA}$	
Locked rotor protection	Auto restart	
Locked rotor current at U_n	approx. 4.000 mA	
Clock signal t_3/t_4 at locked rotor	Typical: 1,4 s / 5,3 s	



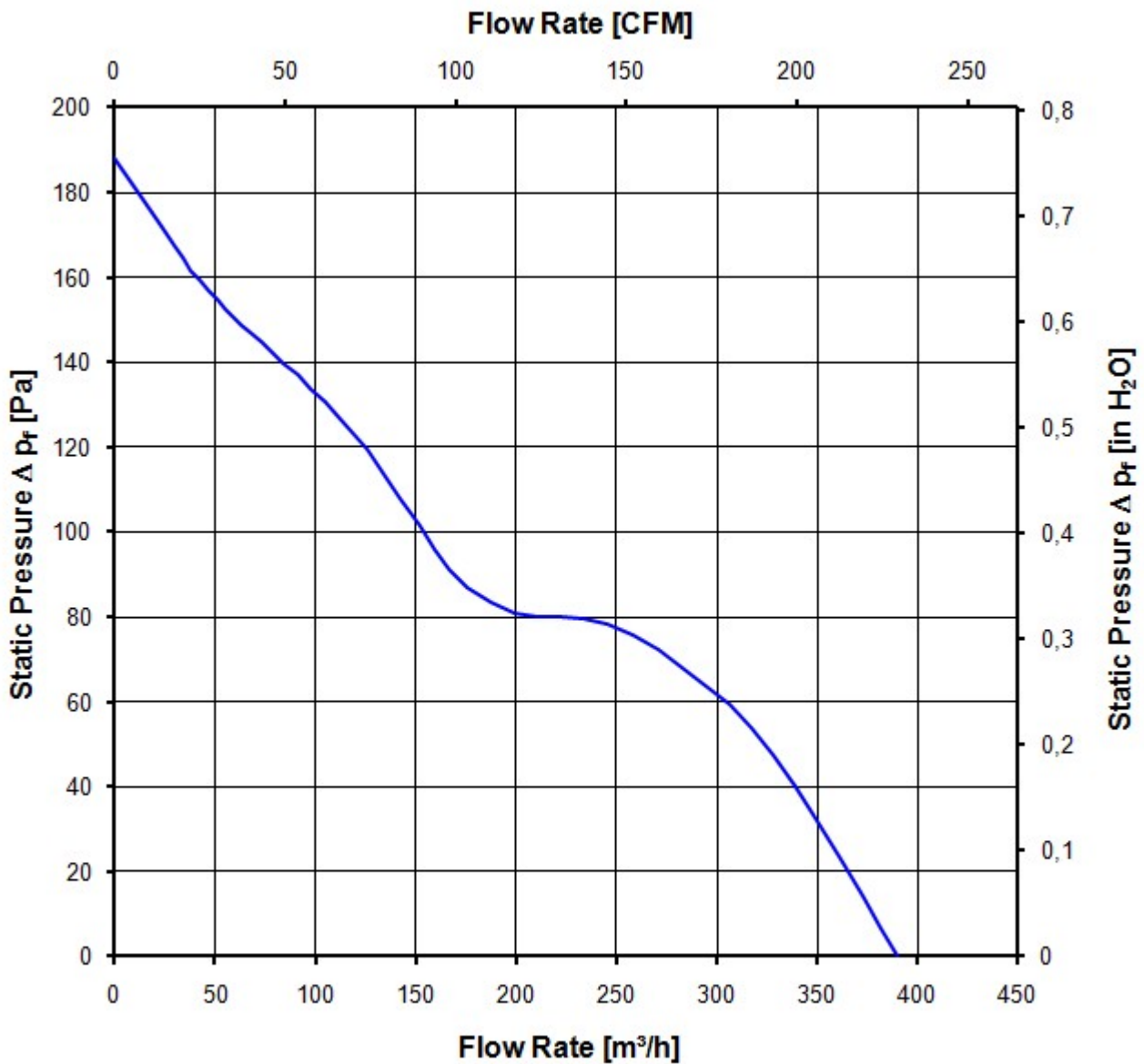
3.5 Aerodynamic

Measurement conditions: Measured with a double chamber intake rig acc. to DIN EN ISO 5801.
 Normal air density = 1,2 kg/m³; Temperature 23°C +/- 3°C;
 In the intake and outlet area should not be any solid obstruction within 0,5 m.

a.) Operation condition:

3.400 1/min at free air flow

Max. free-air flow ($\Delta p = 0 / \dot{V} = \text{max.}$)	390,0 m ³ /h	
Max. static pressure ($\Delta p = \text{max.} / \dot{V} = 0$)	188 Pa	



3.6 Sound Data

Measurement conditions: Sound pressure level: 1 Meter distance between microphone and the air intake.
 Sound power level: Acc. to DIN 45635 part 38 (ISO 10302)
 Measured in a semianchoic chamber with a background noise level of $L_p(A) < 5 \text{ dB(A)}$
 For further measurement conditions see section 3.5

a.) Operation condition:

3.400 1/min at free air flow		
Optimal operating point	275,0 m ³ /h @ 61 Pa	
Sound power level at the optimal operating point	6,4 bel(A)	
Sound pressure level at free air flow, measured in rubber bands	55,0 dB(A)	

4 Environment

4.1 General

Min. permitted ambient temperature TU min.	-20 °C	
Max. permitted ambient temperature TU max.	72 °C	
Min. permitted storage temperature TL min.	-40 °C	
Max. permitted storage temperature TL max.	80 °C	

4.2 Climatic requirements*)

Humidity requirements	humid heat, constant; according to DIN EN 60068-2-78, 14 days	
Water exposure	None	
Radiation exposure	None	
Dust requirements	None	
Salt fog requirements	None	
Harmful gas requirements	None	

*) Permitted application area:

The product is intended for use in sheltered rooms with controlled temperature and controlled humidity. Directly exposure to water must be avoided.

Pollution degree 1 (according DIN EN 60664-1)

There is either no pollution or it occurs only dry, non-conductive pollution. The pollution has no negative impact.

5 Safety

5.1 Electrical Safety

Dielectric strength DIN EN 60950 (VDE 0805) and DIN EN 60335 (VDE 0700) A.) Type test Measuring conditions: After 48h of storage at 95% R.H. and 25°C. No arcing or breakdown is allowed! All connections together to ground. B.) Routine test Measuring conditions: At indoor climate. No arcing or breakdown is allowed! All connections together to ground.	500 VAC / 1 Min. 500 VAC / 1 Sec.	
Isolation resistance Measuring conditions: After 48h of storage at 95% R.H. and 25°C measured with U=500 VDC for 1 min.	RI > 10 MOhm	
Air and leakage distances	1,0 mm / 1,2 mm	
Protection class	III	

5.2 Approval Tests

CE	Yes
UL	Yes / UL audited by CSA according to UL507, Electric Fans
VDE	Yes / Approval acc. to EN 60950 (VDE 0805) - Information technology equipment
CSA	Yes / C22.2 No. 113 Fans and Ventilators
CCC	No

The approval tests are observed to:

Maximal permitted operating voltage (see section 3.1) and max. permitted ambient temperature TU max.

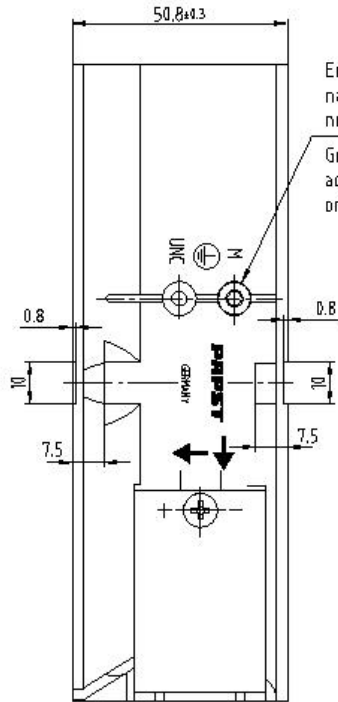
6 Reliability

6.1 General

Life expectancy L10 at TU = 40 °C	75.000 h	
Life expectancy L10 at TU max.	35.000 h	
Life expectancy L10 Delta (40 °C)	125.000 h	

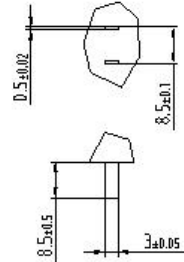
Design of the frames and pins (to which and how the components of the assembly listed are attached) is subject to change without notice. In the event of a request for a part or the replacement of a part, please refer to the drawing.

Subassembly such as DIN 15010 (also known as) Refer to specification with DIN 15010.



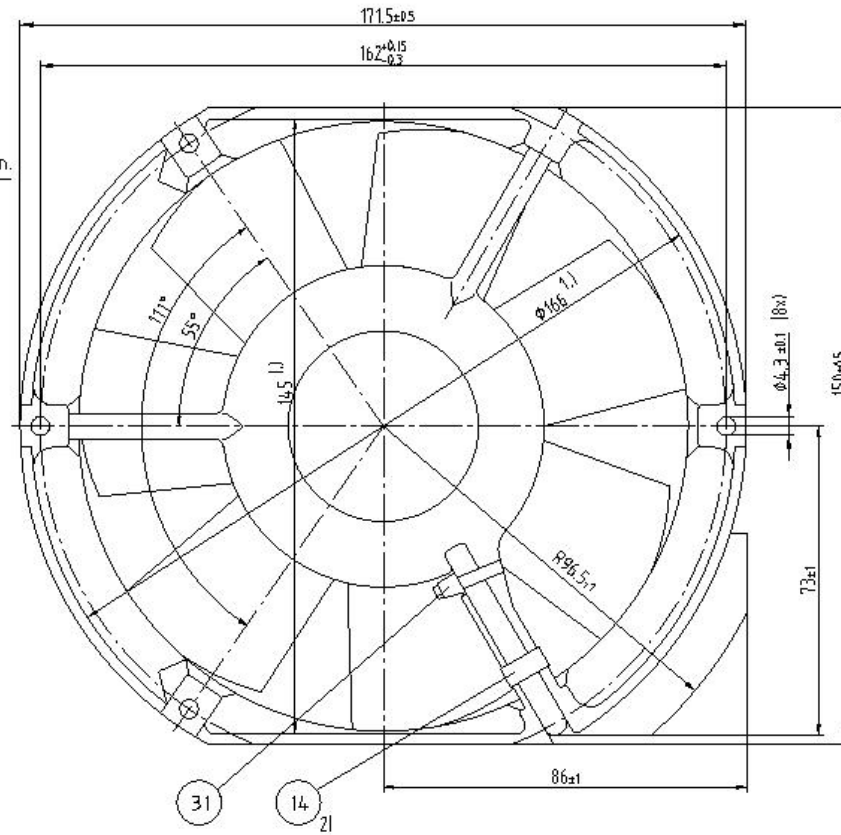
①
Erdungsschraube Duo-TapTite
nach DIN 7500, CM 4x8, Torx
nur, wenn in Unterstückliste
enthalten.
Grounding screw Duo-TapTite
according to DIN 7500, CM 4x8, Torx
only, if contained in sub-bill of material.

Maße für Steckeranschluss
dimensions for plug connector



- Axialspiel: mit Feder spielfrei verspannt
- 1) Maße für Montagewand
- 2) nur, wenn in Stückliste enthalten

- without axial clearance by a pre-loaded spring
- 1) dimensions for assembly wall
- 2) only, if contained in bill of material



SW-Stufe/Step	Rev./Change-#	Artik.-No./Part-Num.	ebmpapst CDD - Drehschm./ CDD - Environment	Werkstoff/Material	Volumen/Volume [cm³/l]
		Edm/Edm	Name/Name		Gewicht/Weight [g]
		Bearb./ Drawn		Artikel/Title	
		Gepr./ Checked			
		Freig./ Released			
Allgemeintoleranzen/Gen. tolerances			ebmpapst	Zug-/Nr./ Drawing-#	Erst-/Zugl./ Replaces
			ebm-papst St. Georgen GmbH & Co. KG	Edm/Edm Type of Document	Feldnummer/Field/Field
				Indiv./Indiv.	Form/Size
					Maßstab/Scale