

R3G400-AC30-61

EC centrifugal fan

backward curved, single inlet



ASIA PACIFIC SHENGRUI LIMITED

Phone +00852 56261528

info@apacshengrui.com

www.apacfan.com



Nominal data

| | | |
|--------------------------|-------------------|------------|
| Type | R3G400-AC30-61 | |
| Motor | M3G084-FA | |
| Phase | | 1~ |
| Nominal voltage | VAC | 230 |
| Nominal voltage range | VAC | 200 .. 277 |
| Frequency | Hz | 50/60 |
| Type of data definition | | ml |
| Speed | min ⁻¹ | 1370 |
| Power input | W | 380 |
| Current draw | A | 1.7 |
| Min. ambient temperature | °C | -25 |
| Max. ambient temperature | °C | 30 |

ml = Max. load · me = Max. efficiency · fa = Running at free air · cs = Customer specs · cu = Customer unit
Subject to alterations

Data according to ErP directive

| | |
|-----------------------|--------|
| Installation category | A |
| Efficiency category | Static |
| Variable speed drive | Yes |
| Specific ratio* | 1.00 |

* Specific ratio = $1 + p_{fs} / 100\,000\text{ Pa}$

| | | Actual | Request 2013 | Request 2015 |
|--------------------------------|-------------------|--------|--------------|--------------|
| Overall efficiency η_{es} | % | 58.4 | 43.1 | 47.1 |
| Efficiency grade N | | 73.3 | 58 | 62 |
| Power input P_{ed} | kW | 0.38 | | |
| Air flow q_v | m ³ /h | 2390 | | |
| Pressure increase p_{fs} | Pa | 300 | | |
| Speed n | min ⁻¹ | 1370 | | |

Data definition with optimum efficiency. LU-73076
The ErP data is determined using a motor-impeller combination in a standardised measurement configuration.



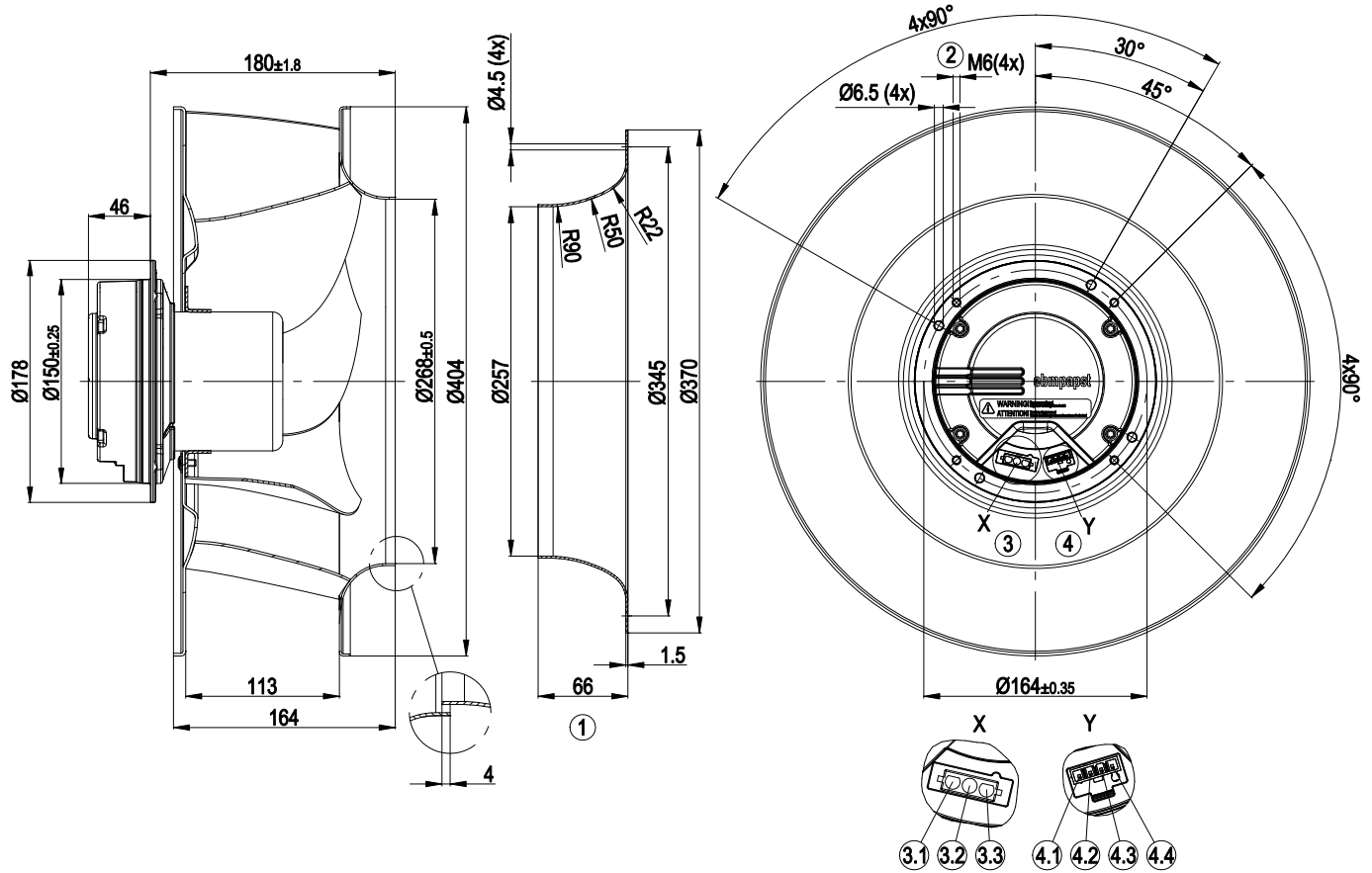
Technical features

| | |
|---|--|
| Mass | 5.78 kg |
| Size | 400 mm |
| Surface of rotor | Coated in black |
| Material of electronics housing | Die-cast aluminium |
| Material of impeller | Aluminium sheet |
| Number of blades | 6 |
| Direction of rotation | Clockwise, seen on rotor |
| Type of protection | IP 20 |
| Insulation class | "B" |
| Humidity class | F0 |
| Max. permissible ambient motor temp. (transp./ storage) | + 80 °C |
| Min. permissible ambient motor temp. (transp./storage) | - 40 °C |
| Mounting position | Shaft horizontal or rotor on top; rotor on bottom on request |
| Condensate discharge holes | None |
| Operation mode | S1 |
| Motor bearing | Ball bearing |
| Technical features | <ul style="list-style-type: none"> - Operation and alarm display: reversible voltage output 0 V / +15 V - Integrated PID controller - Motor current limit - PFC, active - RS485 ebmBUS - Soft start - Control interface with SELV potential safely disconnected from the mains - Over-temperature protected electronics / motor - Line undervoltage / phase failure detection |
| EMC interference immunity | Acc. to EN 61000-6-2 (industrial environment) |
| EMC harmonics | Acc. to EN 61000-3-2/3 |
| EMC interference emission | Acc. to EN 61000-6-4 (industrial environment) |
| Touch current acc. IEC 60990 (measuring network Fig. 4, TN system) | <= 3.5 mA |
| Electrical leads | With plug |
| Motor protection | Thermal overload protector (TOP) wired internally |
| Cable exit | Variable |
| Protection class | I (if protective earth is connected by customer) |
| Product conforming to standard | EN 61800-5-1; CE |
| Approval | CCC; CSA C22.2 Nr.113; EAC; UL 507 |

EC centrifugal fan

backward curved, single inlet

Product drawing



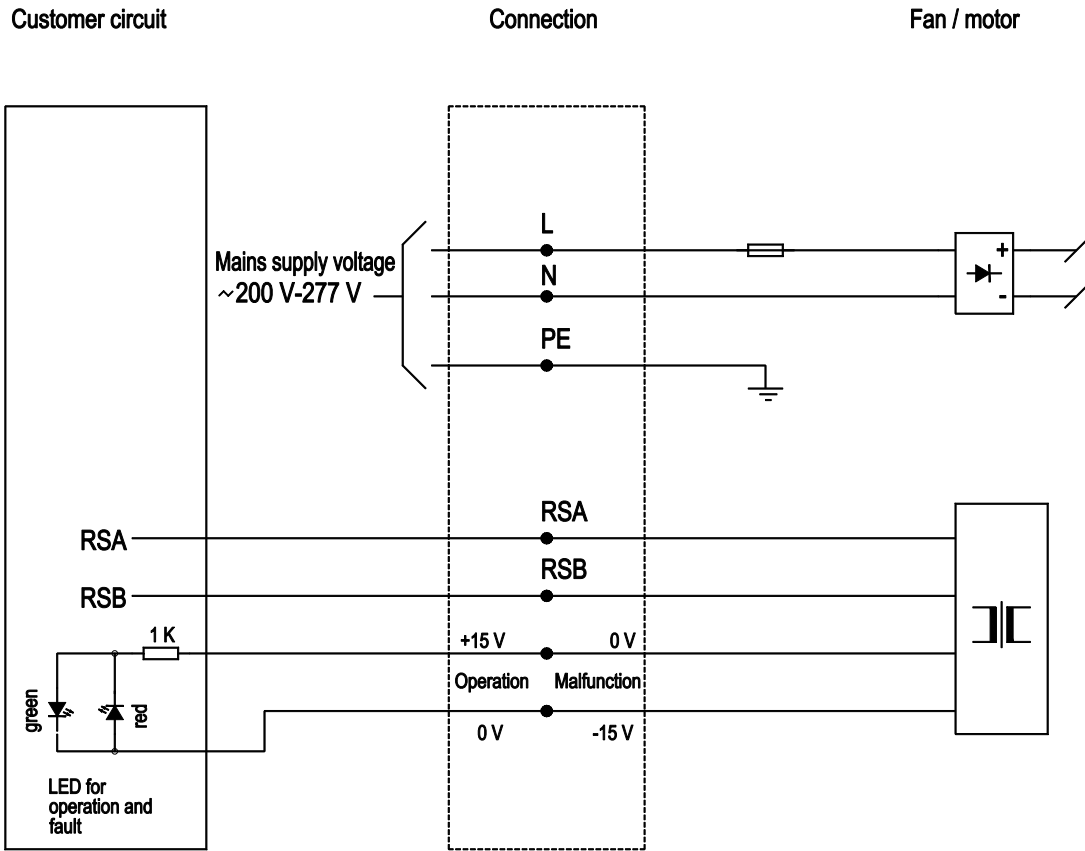
| | |
|-----|---|
| 1 | Accessory part: Inlet nozzle 54476-2-4013 not included in scope of delivery |
| 2 | Screw depth max. 10 mm |
| 3 | Strip Lonco No. C63502-3A, mating connectors with female terminals are not included in the standard scope of delivery |
| 3.1 | PE |
| 3.2 | N |
| 3.3 | L |
| 4 | Strip 4-pole Molex 39-30-2040, mating connectors with female connectors not included in scope of delivery |
| 4.1 | RSB |
| 4.2 | RSA |
| 4.3 | +15 V; in the event of fault: 0 V |
| 4.4 | 0 V; in the event of fault: +15 V |



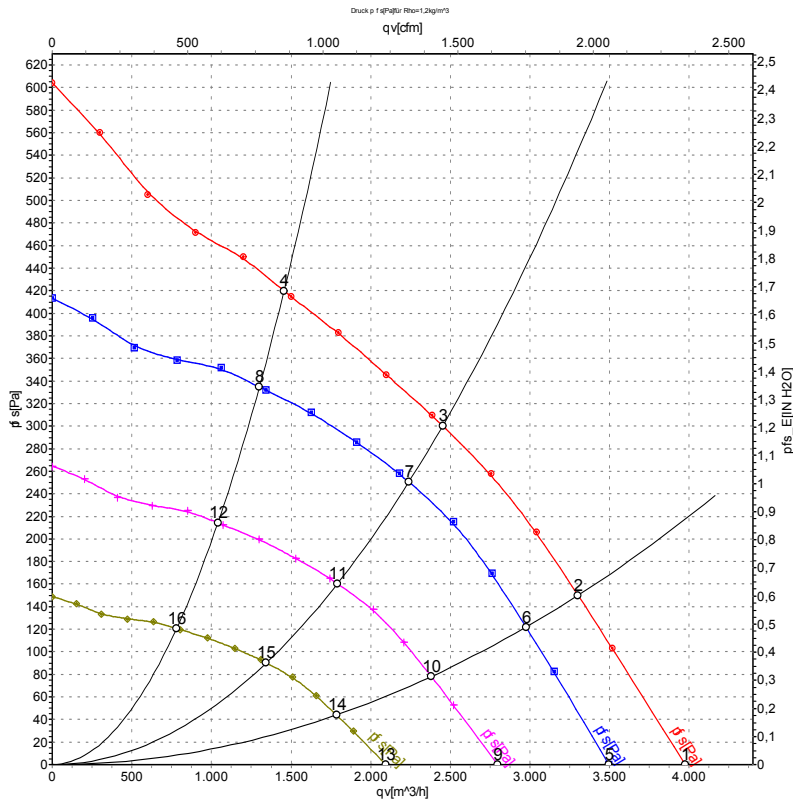
EC centrifugal fan

backward curved, single inlet

Connection screen



Charts: Air flow 50 Hz



Measurement: LU-73076

Air performance measured as per ISO 5801 Installation category A. For detailed information on the measuring set-up, please contact ebm-papst. Suction-side noise levels: LwA measured as per ISO 13347 / LpA measured with 1m distance to fan axis. The values given are valid under the measuring conditions mentioned above and may vary according to the actual installation situation. With any deviation from the standard set-up, the specific values have to be checked and reviewed with the unit installed.

Measured values

| | U | f | n | P _{ed} | I | qv | P _{fs} |
|----|-----|----|-------------------|-----------------|------|-------------------|-----------------|
| | V | Hz | min ⁻¹ | W | A | m ³ /h | Pa |
| 1 | 230 | 50 | 1420 | 327 | 1.45 | 3975 | 0 |
| 2 | 230 | 50 | 1385 | 362 | 1.60 | 3300 | 150 |
| 3 | 230 | 50 | 1370 | 380 | 1.70 | 2450 | 300 |
| 4 | 230 | 50 | 1400 | 351 | 1.55 | 1455 | 420 |
| 5 | 230 | 50 | 1250 | 222 | 0.99 | 3495 | 0 |
| 6 | 230 | 50 | 1250 | 264 | 1.17 | 2975 | 122 |
| 7 | 230 | 50 | 1250 | 290 | 1.28 | 2240 | 251 |
| 8 | 230 | 50 | 1250 | 250 | 1.10 | 1300 | 335 |
| 9 | 230 | 50 | 1000 | 114 | 0.50 | 2795 | 0 |
| 10 | 230 | 50 | 1000 | 135 | 0.60 | 2380 | 78 |
| 11 | 230 | 50 | 1000 | 149 | 0.66 | 1790 | 160 |
| 12 | 230 | 50 | 1000 | 128 | 0.56 | 1040 | 214 |
| 13 | 230 | 50 | 750 | 48 | 0.21 | 2095 | 0 |
| 14 | 230 | 50 | 750 | 57 | 0.25 | 1785 | 44 |
| 15 | 230 | 50 | 750 | 63 | 0.28 | 1345 | 90 |
| 16 | 230 | 50 | 750 | 54 | 0.24 | 780 | 120 |

U = Supply voltage · f = Frequency · n = Speed · P_{ed} = Power input · I = Current draw · qv = Air flow · P_{fs} = Pressure increase

